



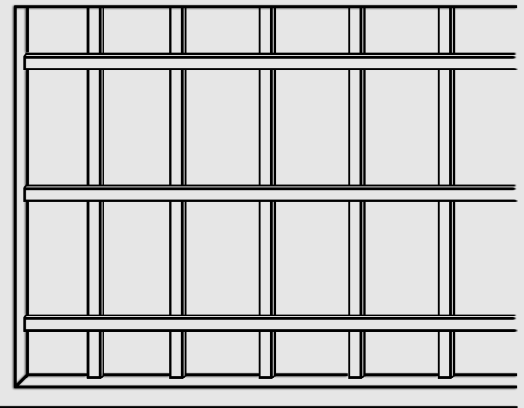
INSTALLATION GUIDE
FLUTED CLADDING

This Installation Guide Applies to Our Thermo Fluted Wood Cladding

TOOLS REQUIRED: *Measuring Tape, Level, Straight Edge,
Construction Adhesive, Circular Saw or Miter Saw,
Furring Strips (for exterior applications)
Finish nails (stainless steel for exterior application)*

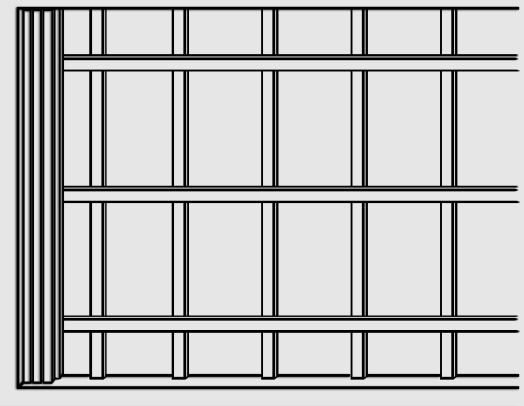
1. Prepare Exterior Surface for Installation

Ensure the surface is clean, smooth, and free of debris. It is recommended to use furring strips (spaced 24" apart) for proper ventilation. If installing the boards horizontally, the furring strips will be placed vertically. If the boards are installed vertically, a second layer of furring strips will be added horizontally to allow for proper drainage.



2. Mark Your Starting Line

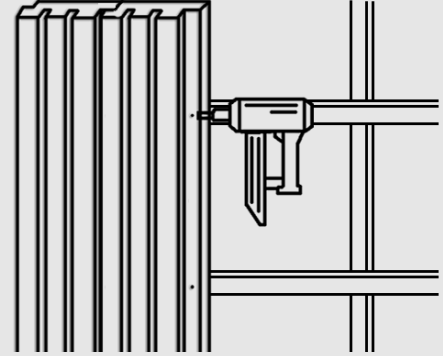
Use a level to mark a straight line along the wall to secure the starting board in the correct position. For vertical applications it is generally recommended to start from the bottom right corner and work your way up and across. For horizontal applications you can start in the bottom right corner to form your starting row.



3. Secure Boards to the Exterior Surface

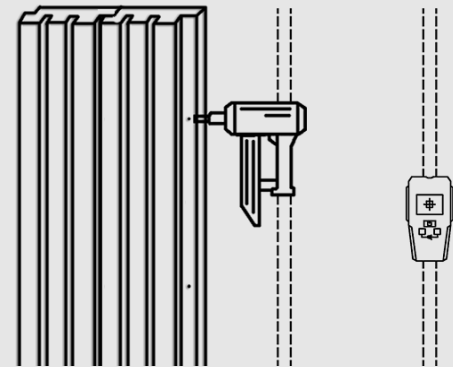
- a. *Required: 2 inch stainless steel nails, nail gun*

Hold the first board along your starting line and secure it using a nail gun with 2 inch stainless steel nails. Nail along the tongue of the board to hide the nail. Repeat directly next to that board, forming a bottom row.



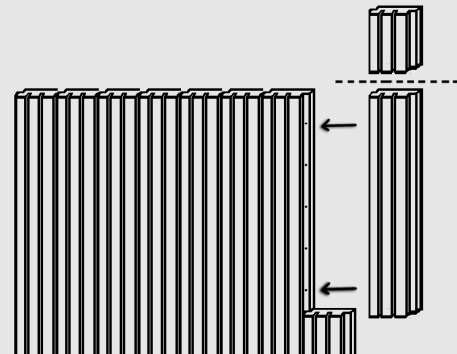
3. Secure Boards to an Interior Surface

- b. For interior applications, secure the cladding directly to any existing substrate using finish nails through the tongue of the boards and hitting studs when you can. If you are not able to hit studs, use construction adhesive for additional support.



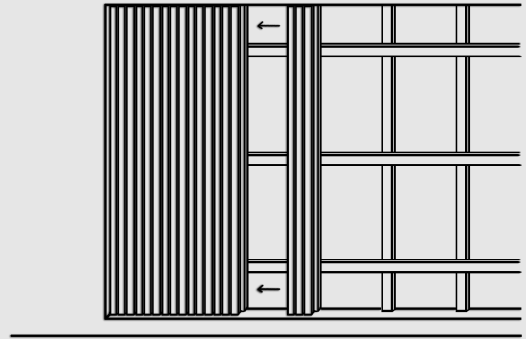
4. Finish the Row by Cutting the Last Panel to Size

When you get to the end of your vertical or horizontal row, you will likely need to cut your last board to size. Sharper blades always make for a better, cleaner cut.



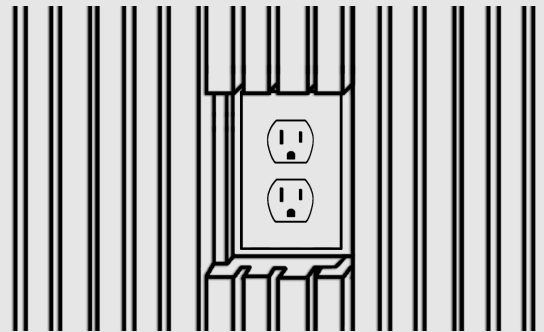
5. Repeat the Process Along Each Row

Be sure to imagine how you want the cladding to appear prior to installing. There is no need to line up the seams. In fact, it is recommended that you offset the seams for a better appearance.



6. Working Around Lights and Electrical Outlets

It is recommended that you safely install the boards just under the housing of your light switches or outlets and then tighten the housing onto the boards. This will allow for any covers to install flush on top of the housing and boards.



7. Complete the Last Row

If you decide to go to the end of your wall, you will likely need to make additional cuts along the length of the panels to get the desired width of the remaining row. Follow the recommended procedure in Step #4 to safely cut the boards.



8. Maintain Every Year

Inspect seasonally and reseal as needed, generally every year. Can be resealed using HardWax Clear Seal or an equivalent seal to provide protection against UV, wet weather conditions and to restore the original color at any time.

