



Customer information packet

VEWDM3615T

5HP, 1755RPM, 3PH, 60HZ, 184TC, 3642M, TEFC, F1

EGM, LLC

Class - None

Division - Not Applicable

Specifications

Enclosure	TEFC
Frame	184TC
Frame Material	Steel
Frequency	60.00 Hz
Output @ Frequency	5.000 HP @ 60 HZ
Phase	3
Product Complexity Level	Non-Standard
Synchronous Speed @ Frequency	1800 RPM @ 60 HZ
Voltage @ Frequency	460.0 V @ 60 HZ 230.0 V @ 60 HZ
XP Class and Group	None
XP Division	Not Applicable
Agency Approvals	CSA CSA EEV NEMA PREMIUM UR
Ambient Temperature	40 °C
Auxillary Box	No Auxillary Box
Auxillary Box Lead Termination	None
Base Indicator	No Mounting
Bearing Grease Type	Polyrex EM (-20F +300F)
Blower	None
Current @ Voltage	6.700 A @ 460.0 V 14.000 A @ 208.0 V 13.400 A @ 230.0 V
Design Code	B
Drip Cover	No Drip Cover
Duty Rating	CONT
Efficiency @ 100% Load	89.5 %
Electrically Isolated Bearing	Not Electrically Isolated
Feedback Device	NO FEEDBACK
Front Shaft Indicator	None

Part detail

Revision	-
Type	AC
Mech. spec.	36K187
Base	
Status	PRD/A
Elec. spec.	36WGQ032
Layout	36LYK187
Eff. date	12-15-2020
CD Diagram	CD0005
Poles	04
Leads	9#16
Proprietary	False
Created date	12-03-2020

Heater Indicator	No Heater
High Voltage Full Load Amps	6.7 a
Insulation Class	F
Inverter Code	Inverter Ready
KVA Code	J
Lifting Lugs	Standard Lifting Lugs
Locked Bearing Indicator	Locked Bearing
Motor Lead Quantity/Wire Size	9 @ 16 AWG
Motor Lead Termination	Flying Leads
Motor Standards	NEMA
Motor Type	3642M
Mounting Arrangement	F1
Number of Poles	4
Overall Length	18.05 IN
Power Factor	78
Product Family	Wash Down
Pulley End Bearing Type	Ball
Pulley Face Code	C-Face
Pulley Shaft Indicator	Standard
Rodent Screen	None
Service Factor	1.15
Shaft Diameter	1.125 IN
Shaft Ground Indicator	No Shaft Grounding
Shaft Rotation	Reversible
Shaft Slinger Indicator	Shaft Slinger
Speed	1755 rpm
Speed Code	Single Speed
Starting Method	Direct on line
Thermal Device - Bearing	None
Thermal Device - Winding	None
Vibration Sensor Indicator	No Vibration Sensor
Winding Thermal 1	None
Winding Thermal 2	None

Nameplate

NP1669L									
CAT.NO.	VEWDM3615T								
SPEC.	36K187Q032G1								
HP	5								
VOLTS	230/460								
AMP	13.4/6.7								
RPM	1755								
FRAME	184TC		HZ	60		PH	3		
SER.F.	1.15	CODE	J	DES	B	CLASS	F		
NEMA-NOM-EFF	89.5	PF	78						
RATING	40C AMB-CONT								
CC	010A		USABLE AT 208V				14		
DE	6206		ODE	6205					
ENCL	TEFC	SN							
BLANK									

Parts list

Part number	Description	Quantity
SA388439	SA 36K187Q032G1	1.000 ea
RA378800	RA 36K187Q032G1	1.000 ea
36FN3000C01SP	EXFN, PLASTIC, 5.25 OD, .912 ID	1.000 ea
36CB3005A03W	36 CB .75 NPT @ 6 W/WHITE EPOXY	1.000 ea
35GS1040	35 MOLDED GASKET W/LIP, LEAD SEAL,	1.000 ea
51XB1016A08	10-16X 1/2HXWSSLD SERTYB	2.000 ea
11XW1032G06	10-32 X .38, TAPTITE II, HEX WSHR SLTD U	1.000 ea
36EP3104A03MW	FREP MACH (RAISED FH PADS) WHITE EPOXY	1.000 ea
HW4032A01	BLACK DRAIN PLUG FOR WASH DOWN MOTORS	3.000 ea
HW5100A05	WVY WSHR F/205 & 304 BRGS	1.000 ea
36PE3301A27MW	PUEP ASSEMBLY FOR ROUTING PURPOSES	1.000 ea
HW4032A01	BLACK DRAIN PLUG FOR WASH DOWN MOTORS	3.000 ea
HW4600B50	SEAL 1.156 X 1.874 X 0.250 SINGLE LIP DB	1.000 ea
10XN2520S26	1/4-20X 1 5/8 HEX HD SS	4.000 ea
36FH4010A08	IEC FH NO GREASER - W/PRIMER	1.000 ea
11XW1032S06	10-32 X .38, TAPTITE II, HEX WSHR SLTD U	3.000 ea
HA1005A03SP	SLINGER, OD 1.750, ID .938, 205 BRG	1.000 ea
HW4600B36SP	V-RING SLINGER 1.188 X 1.690 X .24 VITON	1.000 ea
36CB4518	36 LIPPED CB LID PRIMED	1.000 ea
37GS3010SP	1/16"WHITE LID GASKET	1.000 ea
59XW0832S07	TAPTITE II,HEX WSHR UNSLTD SER,410 S.S.,	4.000 ea
HW2502E16	#303 SS,SQ KEY 1/4 X 1.750	1.000 ea
HA7000A02	KEY RETAINER RING, 1 1/8 DIA, 1 3/8 DIA	1.000 ea
HA5027A01	HA4066A01 T-DRAIN X2 BAGGED	1.000 ea
MJ5001A27	32220KN GRAY SEALER *MIN BUY 4 QTS=1GAL	0.001 qt
LB1164	LABEL,WARNING AND DRAIN	1.000 ea
85XU0407S04	4X1/4 U DRIVE PIN STAINLESS	2.000 ea
HW3200A01	3/8-16X3/4 I-BLT WELDED F/S	1.000 ea
MJ1000A02	GREASE, MOBIL POLYREX EM - 124047	0.050 lb
51XB1214A16	12-14X1.00 HXWSSLD SERTYB	1.000 ea
MG1025Z02	ACTIVATOR WILKOFASST 060.02HF	0.010 ga

MG1025W01	WILKOFAS, 781.01, SIGNAL WHITE #9003	0.022 ga
LB1115N	LABEL,LIFTING DEVICE (ON ROLLS)	1.000 ea
HA3101S28	THRUBOLT- 1/4-20 X 12.50 SS	4.000 ea
LC0005	CONN.DIA.,TY M,9-LD,DUAL VOLT,REVERSING	1.000 ea
NP1669L	SS WD SUPER-E UL CSA-EEV PREM REV MTG	1.000 ea
36PA1001	PKG GRP, PRINT PK1017A06	1.000 ea
PK3082	STYROFOAM CRADLE	1.000 ea
MN416A01	TAG-INSTAL-MAINT no wire (1200/bx) 1/21	1.000 ea
FE-0000001	ZRTG FE ASSEMBLY	1.000 ea

AC Induction Motor Performance Data

Record # 85675

Preliminary Data Sheet

Winding: 36WGQ032-RXXX		Type: 3642M		Enclosure: TEFC	
Nameplate Data			460 V, 60 Hz: High Voltage Connection		
Rated Output (HP)	5	Full Load Torque	15 LB-FT		
Volts	230/460	Start Configuration	direct on line		
Full Load Amps	13.4/6.7	Breakdown Torque	53.1 LB-FT		
R.P.M.	1755	Pull-up Torque	23.4 LB-FT		
Hz	60 Phase	3	Locked-rotor Torque	34.7 LB-FT	
NEMA Design Code	B KVA Code	J	Starting Current	49.8 A	
Service Factor (S.F.)	1.15		No-load Current	3.31 A	
NEMA Nom. Eff.	89.5 Power Factor	78	Line-line Res. @ 25°C	2.38 Ω	
Rating - Duty	40C AMB-CONT		Temp. Rise @ Rated Load	71°C	
S.F. Amps	15/7.5		Temp. Rise @ S.F. Load	92°C	
			Locked-rotor Power Factor	49	
			Rotor inertia	0.391 lb-ft ²	

Load Characteristics 460 V, 60 Hz, 5 HP

% of Rated Load	25	50	75	100	125	150	S.F.
Power Factor	39	60	72	79	82	84	81
Efficiency	84.4	89.4	90.1	89.6	88.4	86.8	88.5
Speed	1789	1778	1766	1753	1738	1722	1741
Line amperes	3.64	4.39	5.45	6.66	8.08	9.67	7.52

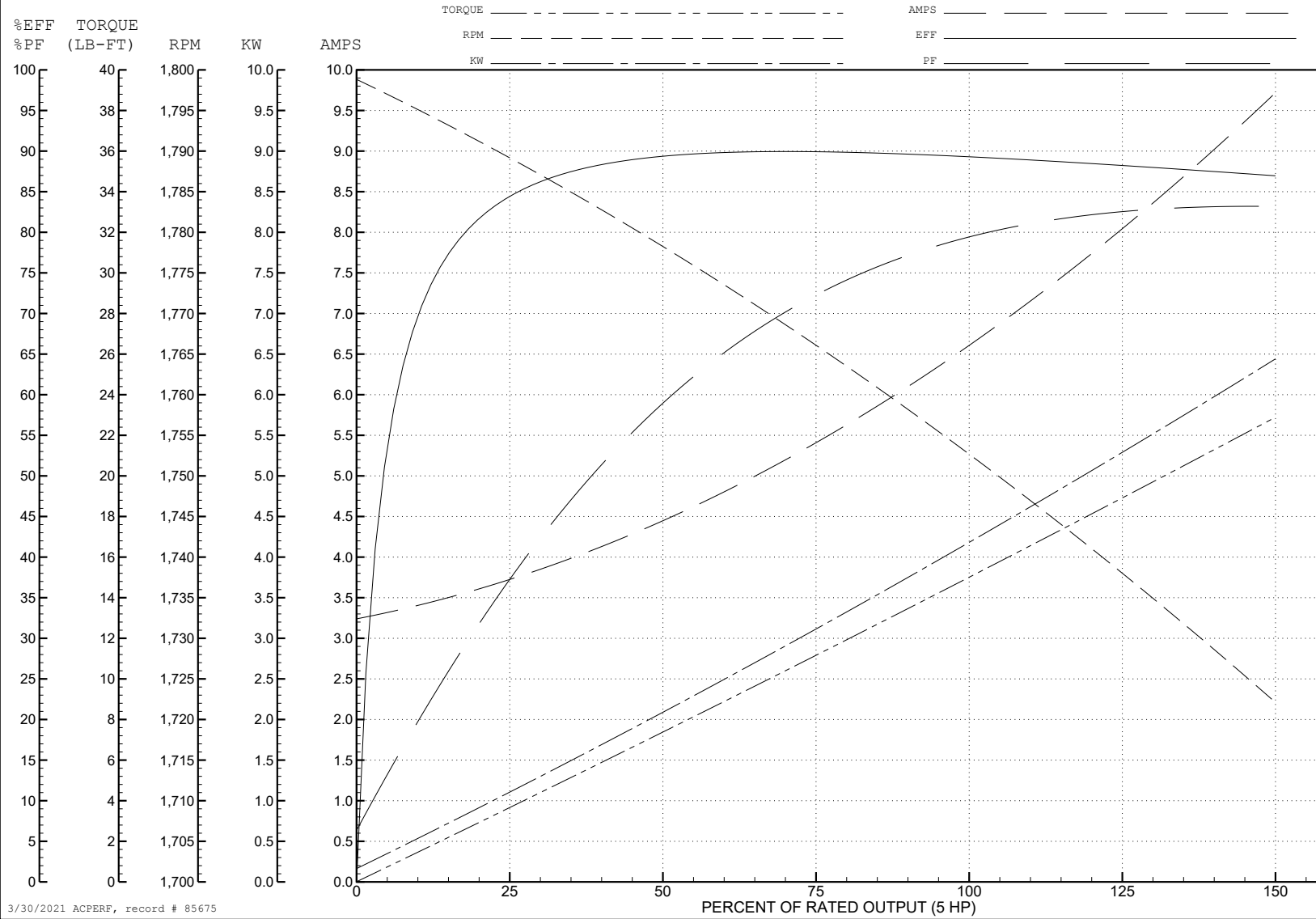
ABB Motors and Mechanical Inc.

WINDING # 36WGQ032

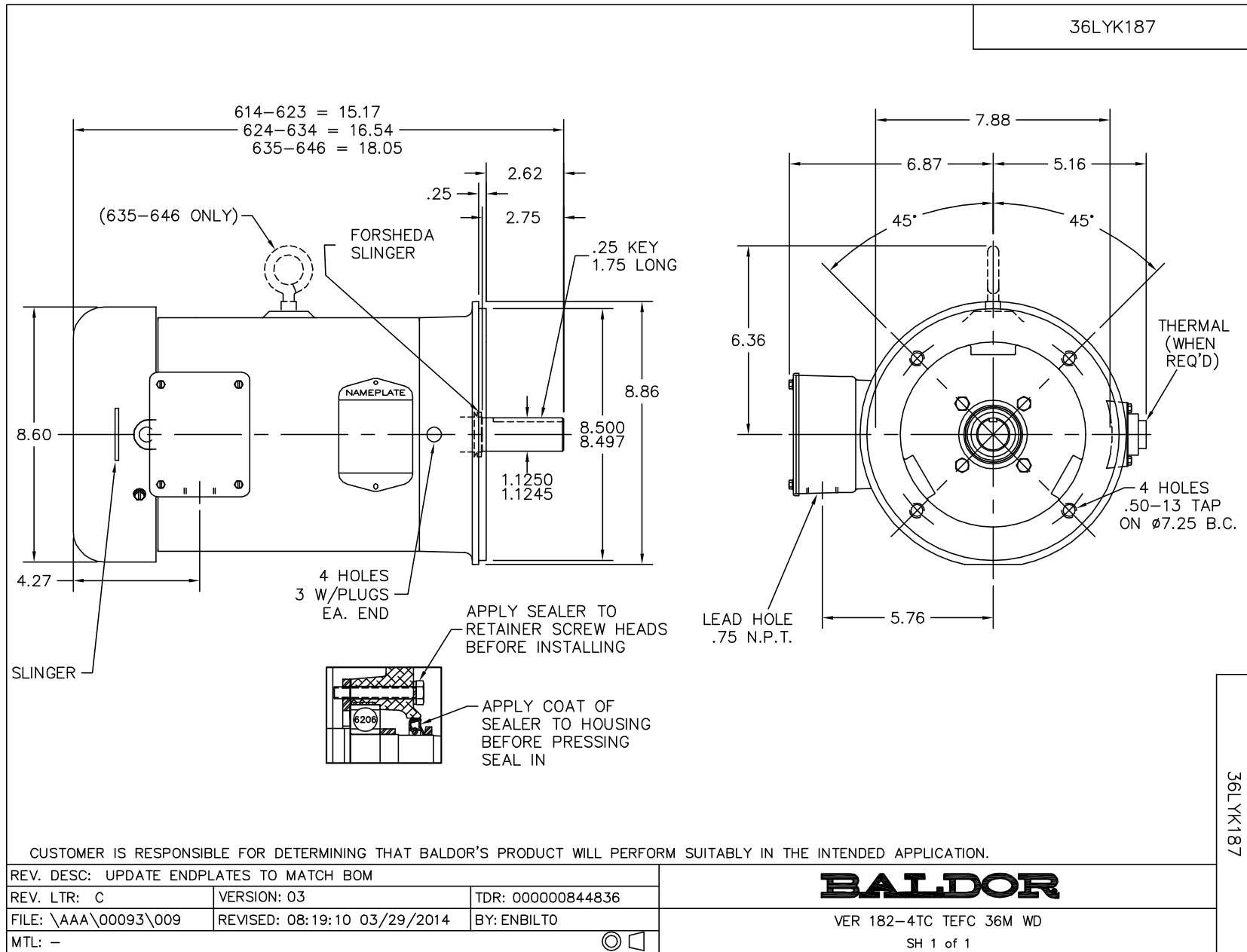
5 HP 3 PH 60 HZ 1755 RPM 460 V 3642M

Typical performance - not guaranteed values.

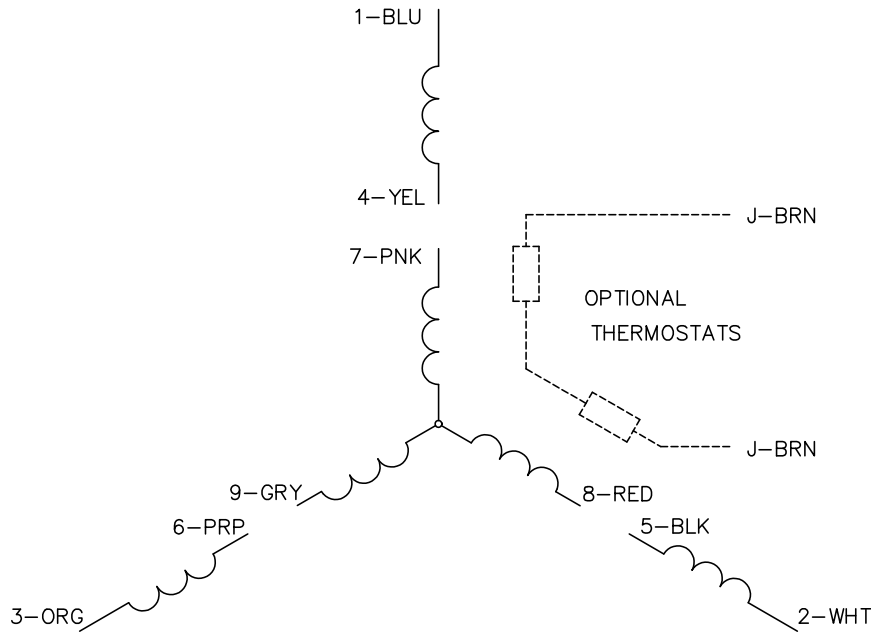
TORQUES (LB-FT): PO=53.1 PU=23.4 LR=34.7 LRA=49.8



3/30/2021 ACPERF, record # 85675



CD0005



LOW VOLTAGE
(2Y)



LINE

HIGH VOLTAGE
(1Y)



LINE

NOTES:

1. INTERCHANGE ANY TWO LINE LEADS TO REVERSE ROTATION.
2. OPTIONAL THERMOSTATS ARE PROVIDED WHEN SPECIFIED.
3. ACTUAL NUMBER OF INTERNAL PARALLEL CIRCUITS MAY BE A MULTIPLE OF THOSE SHOWN ABOVE.
4. LEAD COLORS ARE OPTIONAL. LEADS MUST ALWAYS BE NUMBERED AS SHOWN.

CD0005

REV. DESC: REVISE TO SHOW OPTIONAL COLORS			
REV. LTR: E	BY: JLP	REVISED: 01/19/99 10:15	TDR: 0171435
S00000		FILE: AAA00005140	MDL: -
		MTL: -	

BALDOR ELECTRIC Co.

3PH, DV, 9 LEADS