

# UNION TEES

# 70

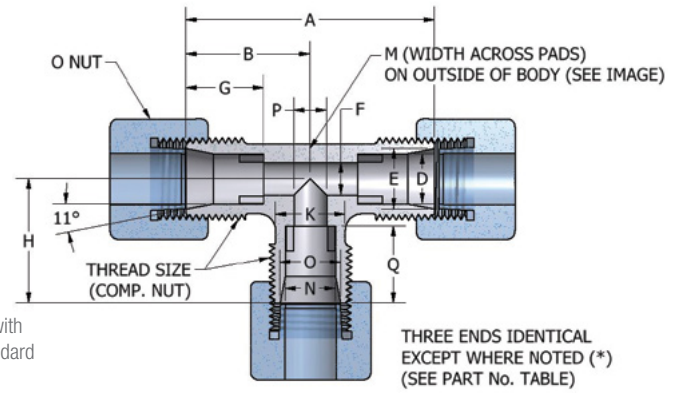


Diagram shown with Nut Style, O, Standard Ferrule Nut

## Union Tees

JACO Part No.				Tube O.D.	Comp. Thd.	A	B	D	E	F	G	H	K	M	N	O	P	Q
Conf.	Tube	Mtl.	Nut			±1/64	±1/64	+005	+005									
70	2		O	1/8	5/16-24	1-1/8	9/16	.125	.175	±1/64	±1/64	±1/64	±1/64	±1/64	+005	+005	±010	±1/64
70	4	P	PG	1/4	7/16-20	1-7/16	47/64	.250	.330	±1/64	±1/64	±1/64	3/8	23/64	N/A	N/A	N/A	N/A
70	5	P	SG	5/16	1/2-20	1-19/32	13/16	.312	.380	±1/64	±1/64	±1/64	7/16	29/64	N/A	N/A	N/A	N/A
70	6	K		3/8	5/8-20	1-59/64	31/32	.375	.460	±1/64	±1/64	±1/64	35/64	35/64	N/A	N/A	N/A	N/A
70	8			1/2	3/4-20	2-1/8	1-1/16	.500	.590	±1/64	±1/64	±1/64	43/64	11/16	N/A	N/A	N/A	N/A
70	10			5/8	7/8-20	2-35/64	1-17/64	.625	.715	±1/64	±1/64	±1/64	53/64	53/64	N/A	N/A	N/A	N/A
70	12			3/4	1-1/16-20	3-3/32	1-35/64	.750	.860	±1/64	±1/64	±1/64	1	1-1/16	N/A	N/A	N/A	N/A
70	14			7/8	1-3/16-16	3-3/32	1-35/64	.875	.995	±1/64	±1/64	±1/64	1-1/8	1-3/16	N/A	N/A	N/A	N/A
*70-10-6-M-N				5/8-3/8	7/8-20-5/8-20	2-17/32	1-17/64	.625	.715	.500	45/64	1-9/64	13/16	13/16	.375	.460	.250	19/32
*70-14-10-M-N				7/8-5/8	1-3/16-16-7/8-20	3-3/32	1-35/64	.875	.995	.750	7/8	1-7/16	1-9/64	1-5/32	.625	.715	.500	45/64
*70-14-10-10-M-N				7/8-5/8	1-3/16-16-7/8-20	3-1/64	1-29/64	.875	.995	.500	7/8	1-7/16	1-9/64	1-5/32	.625	.715	.715	45/64