

REDUCING UNION CONNECTORS

15

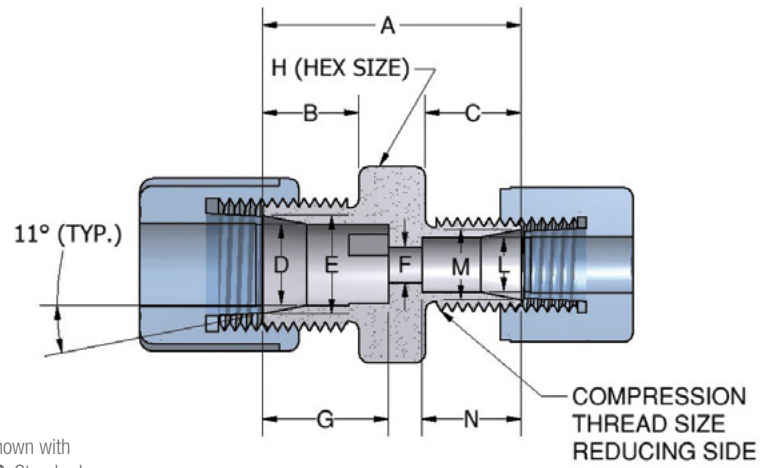
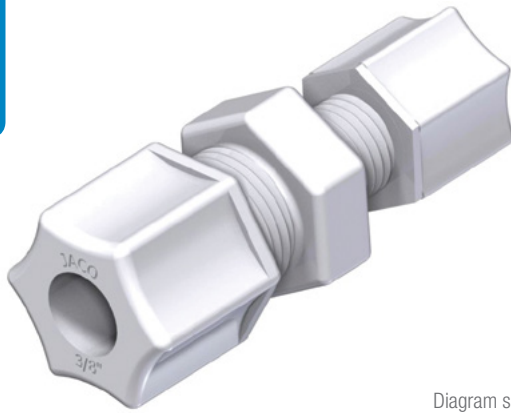


Diagram shown with
Nut Style, O, Standard
Ferrule Nut

REDUCING UNIONS

JACO Part No.					Tube O.D.	Comp. Thd.	Comp. Thd.	A	B	C	D	E	F	G	H	L	M	N	
Conf.	Tube	Tube	Mtl.	Nut															
15	4	2	P	O	1/4-1/8	7/16-20	5/16-24	±1/64	±1/64	±1/64	.250 +.010	.330-.335	.109	±1/64	±1/64	±1/64	.125 +.010	.175-.180	7/16
15	5	4	Z	P	5/16-1/4	1/2-20	7/16-20	1	3/8	3/8	.312	.380-.385	.170	±1/64	±1/64	±1/64	.250 +.010	.330-.335	15/32
15	6	4	K	P	3/8-1/4	5/8-20	7/16-20	1-3/16	29/64	29/64	.375	.460-.465	.170	±1/64	±1/64	±1/64	.250 +.010	.300-.335	15/32
15	8	6	K	P	1/2-3/8	3/4-20	5/8-20	1-5/16	9/16	29/64	.500	.590-.595	.250	±1/64	±1/64	±1/64	.375 +.010	.460-.465	19/32
15	10	6	K	P	5/8-3/8	7/8-20	5/8-20	1-23/64	19/32	15/32	.625	.715-.720	.250	±1/64	±1/64	±1/64	.375 +.010	.460-.465	19/32
15	10	8	K	P	5/8-1/2	7/8-20	3/4-20	1-15/32	19/32	9/16	.625	.715-.720	.375	±1/64	±1/64	±1/64	.500 +.010	.590-.595	11/16
15	14	10	K	P	7/8-5/8	1-3/16-16	7/8-20	1-21/32	3/4	17/32	.875	.995-1.000	.500	±1/64	±1/64	±1/64	.625 +.010	.715-.720	45/64