

MALE BRANCH TEES

60

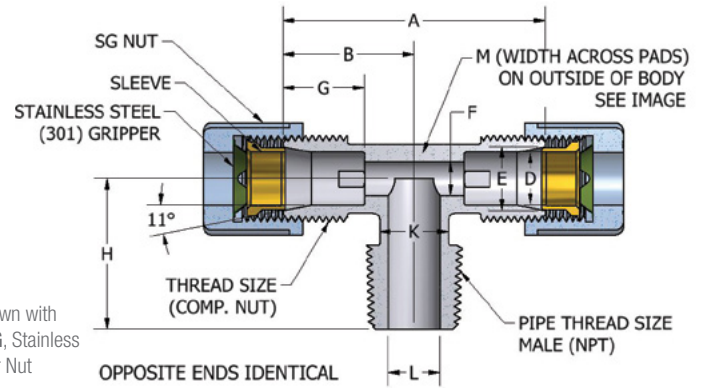


Diagram shown with Nut Style, SG, Stainless Steel Gripper Nut

Male Branch Tees

JACO Part No.					Tube O.D.	Pipe Thd. NPT	Comp. Thd.	A	B	D	E	F	G	H	K	L	M
Conf.	Tube	Pipe	Mtl.	Nut				±1/64	±1/64	+0.005 +.010		±1/64	±1/64	±1/64	±1/64	±1/64	±1/64
60	4	2		SG	1/4	1/8	7/16-20	1-29/64	47/64	.250	.330-.335	.170	15/32	3/4	3/8	1/4	3/8
60	4	4		SG	1/4	1/4	7/16-20	1-15/32	47/64	.250	.330-.335	.170	15/32	59/64	3/8	5/16	3/8
60	5	4		SG	5/16	1/4	1/2-20	1-39/64	13/16	.312	.380-.385	.232	31/64	63/64	7/16	9/32	7/16
60	6	4		SG	3/8	1/4	5/8-20	1-15/16	31/32	.375	.460-.465	.250	19/32	1-1/16	9/16	5/16	9/16
60	6	6		SG	3/8	3/8	5/8-20	1-29/32	61/64	.375	.460-.465	.250	19/32	1-3/32	1/2	3/8	1/2
60	8	6		SG	1/2	3/8	3/4-20	2-13/64	1-7/64	.500	.590-.595	.375	11/16	1-5/32	43/64	25/64	43/64
60	8	8		SG	1/2	1/2	3/4-20	2-7/32	1-1/8	.500	.590-.595	.375	11/16	1-21/64	5/8	31/64	39/64
60	10	8		SG	5/8	1/2	7/8-20	2-17/32	1-1/4	.325	.715-.720	.500	45/64	1-7/16	13/16	1/2	13/16
60	12	8		SG	3/4	1/2	1-1/16-20	3-7/64	1-9/16	.750	.860-.865	.625	13/16	1-41/64	1-1/16	9/16	1-1/16
60	12	12		SG	3/4	3/4	1-1/16-20	3-7/64	1-9/16	.750	.860-.965	.625	13/16	1-41/64	1-1/16	11/16	1-1/16
60	14	12		SG	7/8	3/4	1-3/16-16	3-3/32	1-35/64	.875	.955-1.000	.750	7/8	1-5/8	1-3/16	11/16	1-3/16