

1" TC-X 252 Series (Non-Metallic)

The TC-X252 1" pumps are available in PVDF for high chemical resistance. Featuring the new Looped C™ Air Motor Technology (patent pending). New Air EcoRing feature (patent pending) provides lower air consumption. Both Flange and Threaded connection models are available.



Maximum Flow Rate: 43.6 GPM (165 L/Min)
 Maximum Discharge Head: 230 ft (70 m)
 Available in: Filled Polypropylene, Conductive Polypropylene, PVDF (Kynar®)
 Spool valve type: Looped C Spring Valve
 Certification: CE, ATEX (select models)



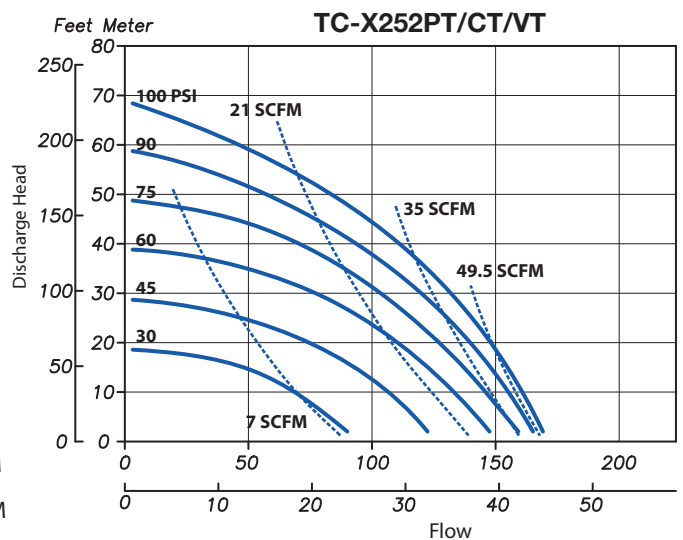
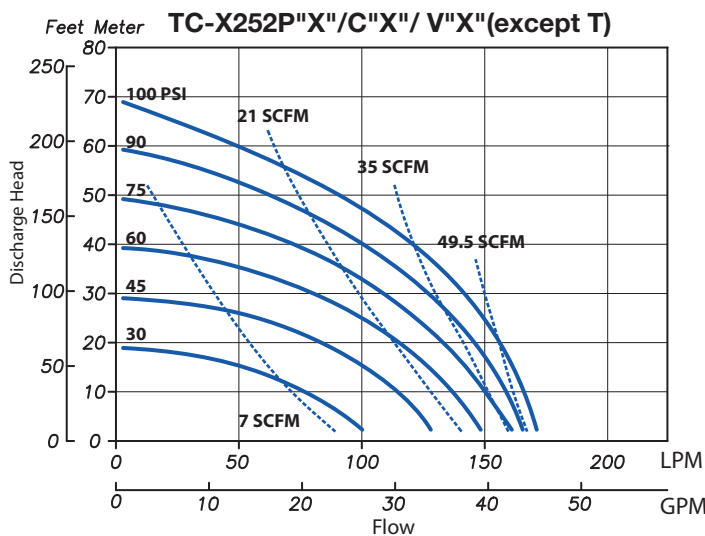
SPECIFICATIONS				
Material Code*	P"X"(-FLA) C"X"(-FLA)	V"X"(-FLA)	PT(-FLA)	VT(-FLA)
Max Flow Rate	43.6 GPM (165 LPM)			
Max Air Pressure	100 PSI (0.7 MPa)			
Max Air Consumption	56.5 scfm (1600 L/min)		63.6 scfm (1800 L/min)	
Supply Air Pressure Range ¹	30-100 PSI (0.2-0.7 MPa)			
Liquid Discharge Volume per cycle	20 oz (600 mL)		17 oz (500 mL)	
Connection Suction x Discharge	NPT 1"		ANSI 150lb 1" JIS 10 K25A (DIN 25PN10)	
Weight	24.3 lbs (11 kg)	29.8 lbs (13.5 kg)	24.3 lbs (11 kg)	29.8 lbs (13.5 kg)

* See Chart and Model Number nomenclature on back page for materials
 Note 1: A supply air pressure of 30 PSI (0.2 MPa) or more is required to operate the pump. If the supply pressure is less than 30 PSI (0.2 MPa), the pump may not operate properly.
 Pump Liquid Temperature Range: 32-140°F (0-60°C)
 Ambient Temperature: 32-158°F (0-70°C)
 Slurry Recommendation: 0.08" (2mm) or less
 Viscosity Limit: Suction Lift ~3000 cps (3 Pa-s) Force in ~8000cps (8Pa-s) (Pumping slurry is dependent on pump size & materials. Please contact your distributor for more details)

PERFORMANCE CURVES

— Flow
 - - - - Air

Conditions:
 4" (10 cm) flooded suction.
 Ambient temperature: 75°F (24°C)
 Liquid temperature: 72-75°F (22-24°C)



Air-Operated Double Diaphragm Pumps

IWAKI AIR

WET END MATERIALS

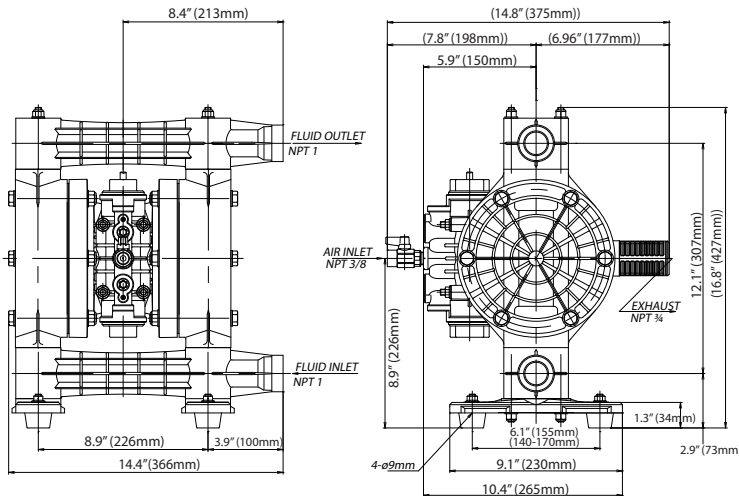
Code	Pump wetted parts	Diaphragm	Ball Valve/ O-Ring	Valve Seat	Outer Diaphragm Plate	Center Body
PC	PPG	Neoprene™	Neoprene™/BUNA	PPG	PPG (SCS13*)	PPG
PN		BUNA	BUNA			
PE		EPDM	EPDM			
PV		Viton®	Viton®			
PT		PTFE	PTFE			
PH		Hytrel™	Hytrel™/BUNA			
PS		Santoprene®	Santoprene®/EPDM			
VE	PVDF	EPDM	EPDM	PVDF	PVDF (SCS13*)	Conductive Poly
VV		Viton®	Viton®			
VT		PTFE	PTFE			
VH		Hytrel™	BUNA			
VS	Santoprene®	EPDM	Conductive Poly	Conductive Poly (SCS13*)	Conductive Poly	
CC	Neoprene™	Neoprene™/BUNA				
CN	BUNA	BUNA				
CE	EPDM	EPDM				
CV	Viton®	Viton®				
CT	PTFE	PTFE				
CH	Hytrel™	Hytrel™/BUNA				
CS	Santoprene®	Santoprene®/EPDM				

Neoprene™
BUNA
*SCS13
PPG
PTFE
PVDF
Hytrel™
Santoprene®
Viton®
Conductive Poly

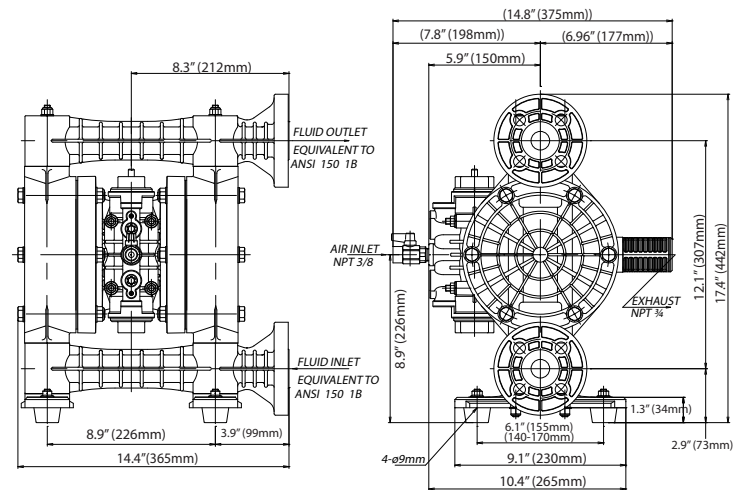
Chloroprene Rubber (CR)
Nitrile Rubber (NBR)
Cast Stainless Steel (Insert material)
Glass Fiber Reinforced Polypropylene
Polytetrafluoroethylene (Teflon®)
Polyvinylidene Fluoride (Kynar®)
Thermoplastic Polyester Elastomer (TPEE)
Thermoplastic PolyOlefin (TPO)
Fluoroelastomer (FKM)
Conductive Polypropylene (PC)

DIMENSIONS

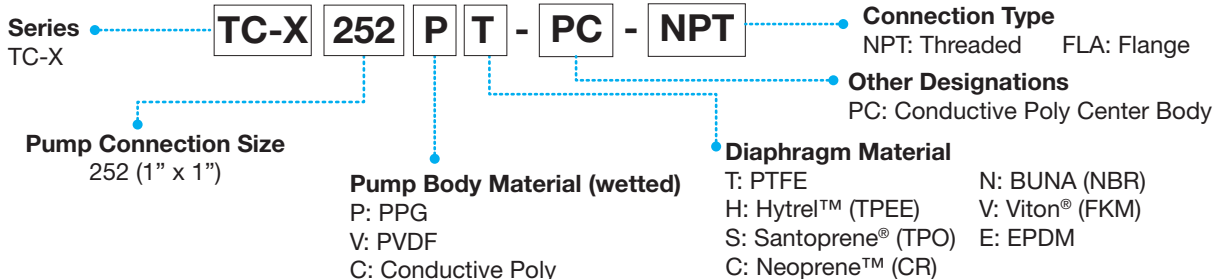
TC-X252P, C, V



TC-X252P-FLA, C-FLA, V-FLA



MODEL NUMBER NOMENCLATURE



Five Boynton Road, Holliston, MA 01746 USA
Tel: 508-429-1440 / service@iwaki-america.com / www.iwakiAir.com

IALT00331.E March 2018