

FEMALE CONNECTORS

25

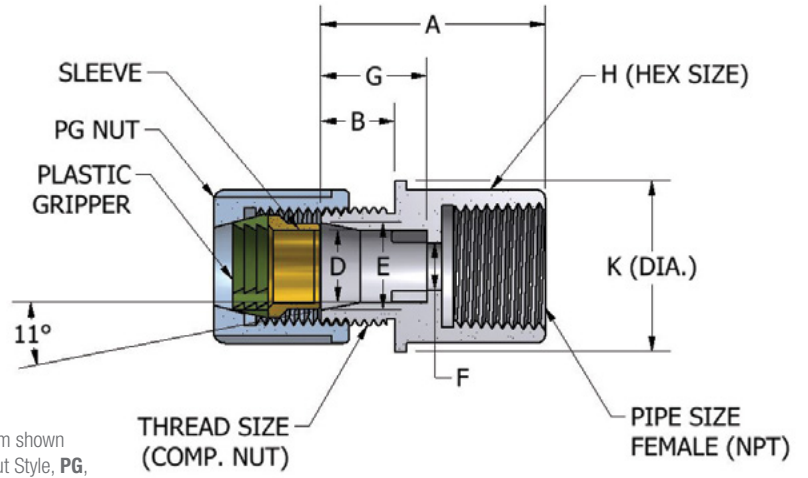
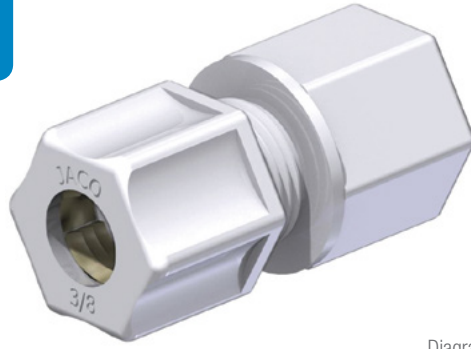


Diagram shown with Nut Style, PG, Plastic Gripper Nut

Female Connector

JACO Part No.	Conf.	Tube	Pipe	Mtl.	Nut	Tube O.D.	Pipe Thd. FNPT	Comp. Thd.	A	B	D	E	F	G	H	K
									±1/64	±1/64	+0.005 +0.010		±0.010	±1/64	±1/64	±1/64
25	4	2				1/4	1/8	7/16-20	59/64	23/64	.250	.330-.335	.170	15/32	43/64	25/64
25	4	4				1/4	1/4	7/16-20	1-3/32	3/8	.250	.330-.335	.170	15/32	51/64	29/32
25	5	4	P		PG	5/16	1/4	1/2-20	1-7/32	15/32	.312	.380-.385	.232	31/64	3/4	13/16
25	6	4	P		PG	3/8	1/4	5/8-20	1-13/64	29/64	.375	.460-.465	.250	9/16	3/4	13/16
25	6	6	K		PG	3/8	3/8	5/8-20	1-7/32	15/32	.375	.460-.465	.250	19/32	15/16	N/A
25	6	8	P		PG	3/8	1/2	5/8-20	1-17/64	15/32	.375	.460-.465	.250	19/32	1-1/16	N/A
25	8	6	K		PG	1/2	3/8	3/4-20	1-9/32	39/64	.500	.590-.595	.375	11/16	15/16	N/A
25	8	8	K		PG	1/2	1/2	3/4-20	1-9/32	9/16	.500	.590-.595	.375	11/16	1-1/16	N/A
25	10	8	K		PG	5/8	1/2	7/8-20	1-1/2	11/16	.625	.715-.720	.500	45/64	1-1/16	N/A