



Customer information packet

CECP84106T-4

20HP, 3510RPM, 3PH, 60HZ, 256TC, TEFC, F1
EGM, LLC
Class - CLI GP A,B,C,D
Division - Division II

Specifications

Enclosure	TEFC
Frame	256TC
Frame Material	Ductile Iron
Frequency	60.00 Hz
Output @ Frequency	20.000 HP @ 60 HZ
Phase	3
Synchronous Speed @ Frequency	3600 RPM @ 60 HZ
Voltage @ Frequency	460.0 V @ 60 HZ
XP Class and Group	CLI GP A,B,C,D
XP Division	Division II
Agency Approvals	CCSA US CSA EEV UR
Ambient Temperature	40 °C
Auxillary Box	No Auxillary Box
Auxillary Box Lead Termination	None
Base Indicator	Rigid
Bearing Grease Type	Polyrex EM (-20F +300F)
Blower	None
Constant Torque Speed Range	6
Current @ Voltage	22.000 A @ 460.0 V
Design Code	B
Drip Cover	No Drip Cover
Duty Rating	CONT
Efficiency @ 100% Load	91.0 %
Electrically Isolated Bearing	Not Electrically Isolated
Enclosure Modification	841
Feedback Device	NO FEEDBACK
Heater Indicator	No Heater
High Voltage Full Load Amps	22.0 a
Insulation Class	F
Inverter Code	Inverter Duty

Part detail

Revision	C
Type	AC
Mech. spec.	
Base	
Status	PRD/A
Elec. spec.	09WGT034
Layout	09LY-000-404
Eff. date	12-09-2020
CD Diagram	CD0006
Poles	02
Leads	3#12
Proprietary	False
Created date	01-27-2019

IP Rating	IP56
KVA Code	G
Lifting Lugs	Standard Lifting Lugs
Locked Bearing Indicator	Locked Bearing
Max Speed	5400 rpm
Motor Lead Termination	Ring Terminals
Motor Standards	NEMA
Motor Type	0954M
Mounting Arrangement	F1
Number of Poles	2
Overall Length	25.28 IN
Power Factor	91
Product Family	Chem Process S/P 32-8 IEEE 841
Pulley Face Code	C-Face
Rodent Screen	None
Service Factor	1.15
Shaft Diameter	1.625 IN
Shaft Ground Indicator	No Shaft Grounding
Shaft Rotation	Reversible
Speed	3510 rpm
Speed Code	Single Speed
Starting Method	Direct on line
Thermal Device - Winding	None
Vibration Sensor Indicator	No Vibration Sensor
Winding Thermal 1	None
Winding Thermal 2	None
XP Temp Code	T3

Nameplate

NP3190

STK.NO.	CECP84106T-4	P/N		ENCLOSURE	TEFC
SPEC.	09-0000-0981	CC	010A	FRAME	256TC
HP	20	CLASS	F	HZ	60
RPM	3510	RPM MAX	5400	ODE BRG	6309
VOLT	460	PH	3	DE BRG	6309
AMP	22	DES	B	D.E. BRG.	45BC03X30X
RATING	40C AMB-CONT	PH	3	O.D.E. BRG.	45BC03X30X
NEMA-NOM-EFF	91	KVA-CODE	G	BLANK	
G.MIN.EFF	89.5	MOTOR WEIGHT	310	GREASE	POLYREX EM
TEMP CODE	T3	MAX. KVAR	2	INV.TYPE	PWM
TEMP =	200	SER.F.	1.15	IP	56
CT HZ FROM	6	# OF ROTOR BARS	28	PF	91
HTR-VOLTS		# OF STATOR SLOTS	36	CT HZ TO	60
HTR-AMPS		INVERTER-TEMP-CODE	200	HTR-WATTS	
HTR-WATTS		C HP FR	60	MAX. SPACE HEATER TEMP.	
VT HZ FROM	3	C HP TO	90	VT HZ TO	60

Parts list

Part number	Description	Quantity
SA365483	SA 09-0000-0981	1.000 ea
RA354875	RA 09-0000-0981	1.000 ea
LB1115N	LABEL,LIFTING DEVICE (ON ROLLS)	1.000 ea
LB1119N	WARNING LABEL	1.000 ea
LC0006	CONNECTION LABEL	1.000 ea
LB1449	DIV-2/NEC WARNING LABEL	1.000 ea
NP3190	SS IEEE841 INV DIV-2 UL CSA-C US EEV	1.000 ea
85XU0407S04	4X1/4 U DRIVE PIN STAINLESS	6.000 ea
MN416A01	TAG-INSTAL-MAINT no wire (1200/bx) 1/21	1.000 ea
WD1000B49	T&B C73,RING TERMINAL 10-12 AWG 3/8 STUD	3.000 ea
HW3201A01	1/2-13 EYEBOLT	1.000 ea
HW1002A63	OASHER, 5/8 HI-COLLAR SPRLCKWASHER	1.000 ea
WD1000B16	T&B CX70TN OR L70P TERMINAL LUG	1.000 ea
09FH1000LP5	FAN COVER, CAST W/EPOXY PRIMER & PAINT	1.000 ea
HW1001A38	LOCKWASHER 3/8, ZINC PLT .688 OD, .382 I	4.000 ea
XY3816A12	3/8-16 FINISHED NUT	4.000 ea
37FN3002C02	EXFN, PLASTIC, 6.00 OD, 1.503 ID	1.000 ea
HW2500A25	WOODRUFF KEY USA #1008 #BLOW CARBON STEE	1.000 ea
51XB1214A20	12-14X1.25 HXWSSLD SERTYB	1.000 ea
MJ1000A02	GREASE, MOBIL POLYREX EM - 124047	0.080 lb
10XN2520K06	1/4-20 X 3/8" HX HD SCREWGRADE 5, ZINC P	1.000 ea
80XN3118A12	5/16-18X3/4 HEX HEAD SET SCREW	4.000 ea
09EP1118A02LP5	FREP MACH, 309 BRG. EPOXY PRIMER & BLACK	1.000 ea
HA3400A39	STUD- 3/8-16 X 6.44 OAL HEX	4.000 ea
HW1001A38	LOCKWASHER 3/8, ZINC PLT .688 OD, .382 I	4.000 ea
HW4601A61	INPRO SEAL #1698-A-17120-0, VBXX 309 BRG	1.000 ea
HW5100A11	W3917-042 WVY WSHR (WB)	1.000 ea
HA4017A02	.125X2.50 GREASER EXTENS.F/S	1.000 ea
HA4017A08	.125X3.50 GREASER EXTEN.	1.000 ea
HW4019A01	PIPE COUPLING 1/8 NPT,STEEL,ZINC COATING	1.000 ea
10XN2520K36	1/4-20 X 2.25" HX HD SCRWGRADE 5, ZINC P	4.000 ea

HA4051A00	PLASTIC CAP FOR GREASE FITTING	1.000 ea
HW4500A21	1618BALEMITE FITTING 825 UNIVERSAL	1.000 ea
HW4500A17	317400 ALEMITE GREASE RELIEF	1.000 ea
HW4500A20	1/8NPT SL PIPE PLUG	1.000 ea
HA4002A03	#304 S.S. DRAIN FITTING, .125 NPT (.44 H	1.000 ea
09EP1318A01P	ENDPLATE, MACH EPOXY PRIMER	1.000 ea
HW1001A38	LOCKWASHER 3/8, ZINC PLT .688 OD, .382 I	4.000 ea
10XN3816K28	3/8-16 X 1.75 HEX HD CAP SCREW, GRADE 5	4.000 ea
HW4601A61	INPRO SEAL #1698-A-17120-0, VBXX 309 BRG	1.000 ea
10XN2520K36	1/4-20 X 2.25" HX HD SCRWGRADE 5, ZINC P	4.000 ea
HA4051A00	PLASTIC CAP FOR GREASE FITTING	1.000 ea
HW4500A03	GREASE FITTING, .125 NPT 1610(ALEMITE) 8	1.000 ea
HW4500A17	317400 ALEMITE GREASE RELIEF	1.000 ea
HW4500A20	1/8NPT SL PIPE PLUG	1.000 ea
HA4002A03	#304 S.S. DRAIN FITTING, .125 NPT (.44 H	1.000 ea
09CB1002A12P	KOBX W/1.25 NPT LEAD HOLE & 2.38 MTG HOL	1.000 ea
09GS1010	GASKET, DWG, LEADWIRE SEPERATOR	1.000 ea
10XN2520K12	1/4-20 X.75 GRD 5	4.000 ea
HW1001A25	LOCKWASHER 1/4, ZINC PLT .493 OD, .255 I	4.000 ea
WD1000B16	T&B CX70TN OR L70P TERMINAL LUG	1.000 ea
59XW2520G07	.25-20X.44,HEX SER WSHR,TAPTITE 2,GREEN	1.000 ea
12CB1503P	CONDUIT BOX LID, CAST W/EPOXY PRIMER	1.000 ea
12GS1002	GASKET, CONDUIT BOX LID, NEOP	1.000 ea
10XN3118K16	5/16-18 X 1' GRADE #5, STL, ZINC PLATE	2.000 ea
HW1001A31	LOCKWASHER 5/16, ZINC PLT.591 OD, .319 I	2.000 ea
MG1025N19	WILKOFAS, 778.50, RELIANCE BLUE-GREEN	0.070 ga
MJ5001A27	32220KN GRAY SEALER *MIN BUY 4 QTS=1GAL	0.031 qt
MJ5002A01	SILICON RUBBER SEALANT, 732CL 10.3 OZ TU	0.033 ea
MJ5002A01	SILICON RUBBER SEALANT, 732CL 10.3 OZ TU	0.025 ea
40PA1005	PACKAGING GROUP, 09 STD	1.000 ea
HW2501G25	KEY, 3/8 SQ X 2.875	1.000 ea
MJ5004A59	ADHESIVE LOCTITE #401 SURFACE INSENSITIV	0.010 ea

AC Induction Motor Performance Data

Record # 46537

Typical performance - not guaranteed values

Winding: 09WGT034-R003		Type: 0954M	Enclosure: TEFC	
Nameplate Data			460 V, 60 Hz: Single Voltage Motor	
Rated Output (HP)	20	Full Load Torque	30.1 LB-FT	
Volts	460	Start Configuration	direct on line	
Full Load Amps	22	Breakdown Torque	101 LB-FT	
R.P.M.	3510	Pull-up Torque	33.7 LB-FT	
Hz	60 Phase	3	Locked-rotor Torque	43.9 LB-FT
NEMA Design Code	B KVA Code	G	Starting Current	145 A
Service Factor (S.F.)	1.15	No-load Current	4.81 A	
NEMA Nom. Eff.	91 Power Factor	91	Line-line Res. @ 25°C	0.45009 Ω
Rating - Duty	40C AMB-CONT		Temp. Rise @ Rated Load	68°C
S.F. Amps			Temp. Rise @ S.F. Load	87°C
			Locked-rotor Power Factor	27
			Rotor inertia	1.38 LB-FT ²

Load Characteristics 460 V, 60 Hz, 20 HP

% of Rated Load	25	50	75	100	125	150	S.F.
Power Factor	72	87	91	91	92	92	92
Efficiency	91.4	93.3	93	92	90.6	88.9	91.2
Speed	3579.7	3560.2	3538.1	3514.3	3486.6	3454.4	3498
Line amperes	7.42	11.8	16.7	22.4	28.4	34.7	26

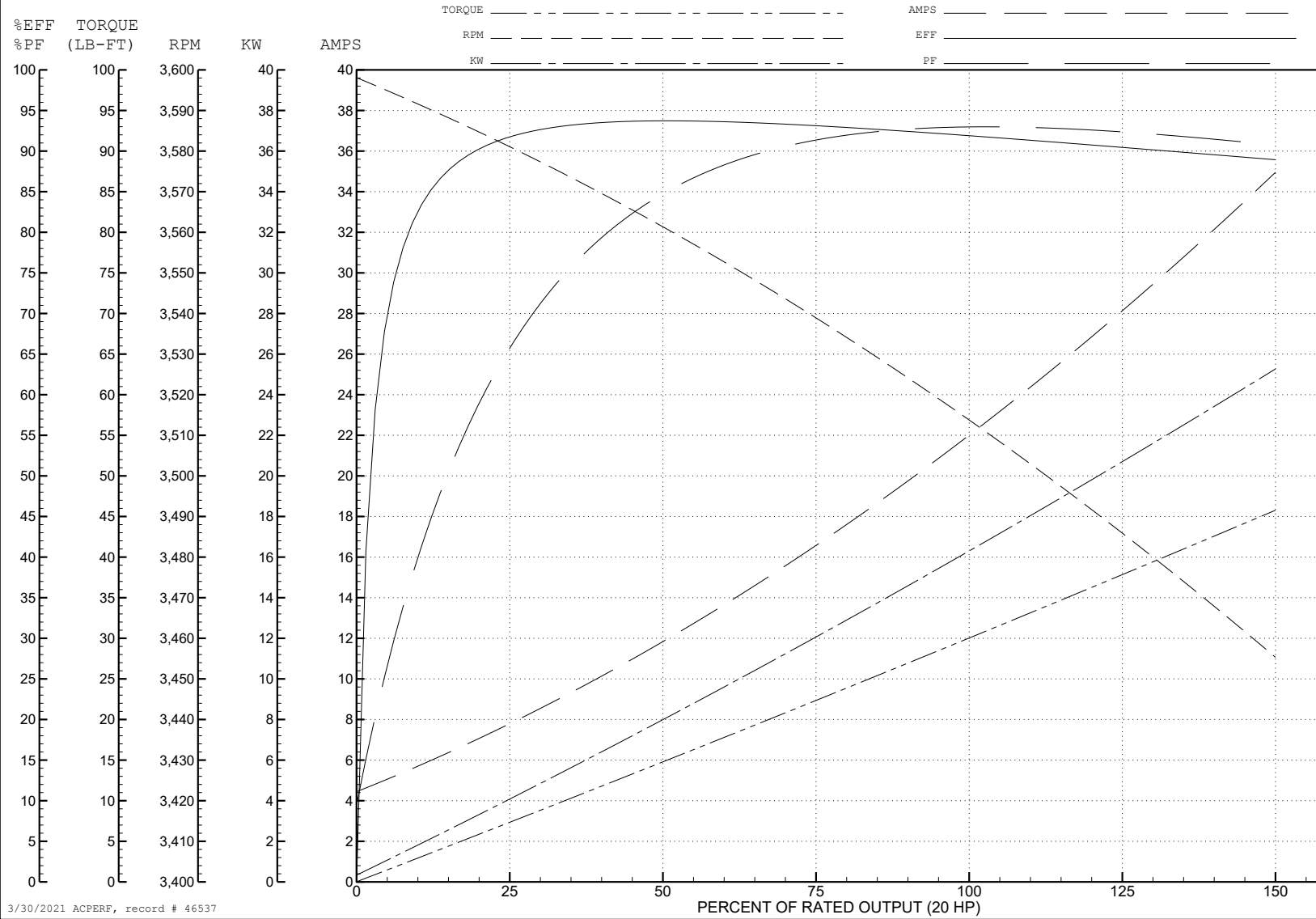
ABB Motors and Mechanical Inc.

WINDING # 09WGT034

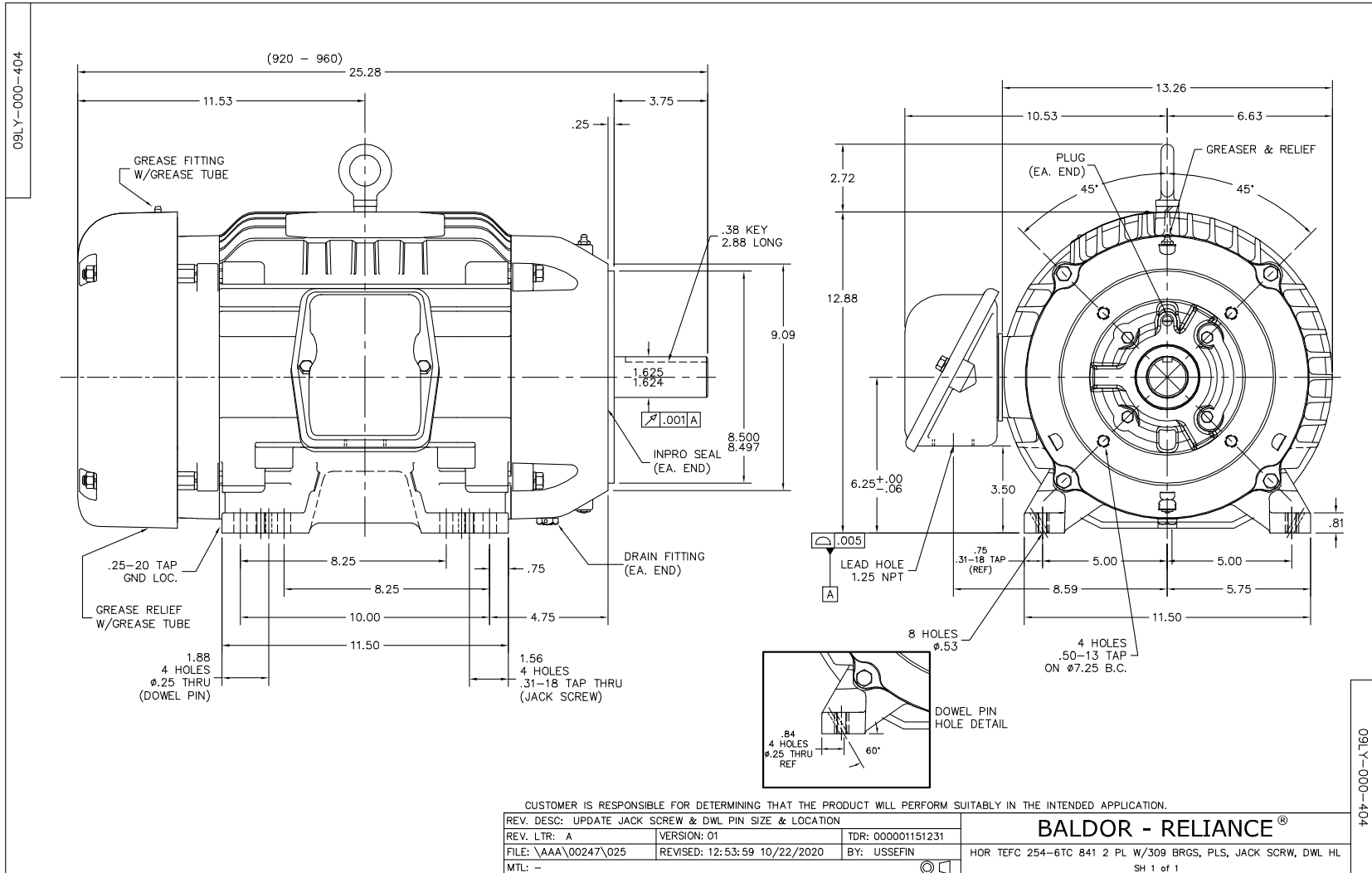
Typical performance - not guaranteed values.

20 HP 3 PH 60 HZ 3510 RPM 460 V 0954M

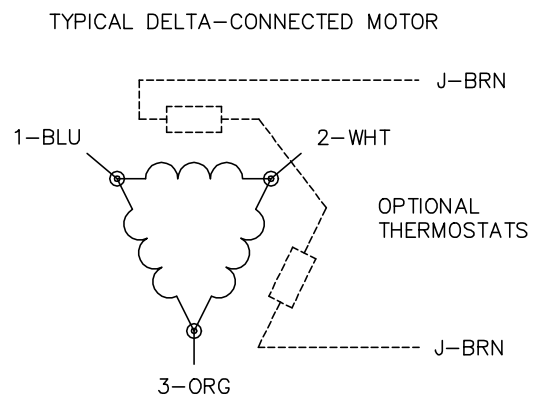
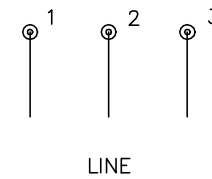
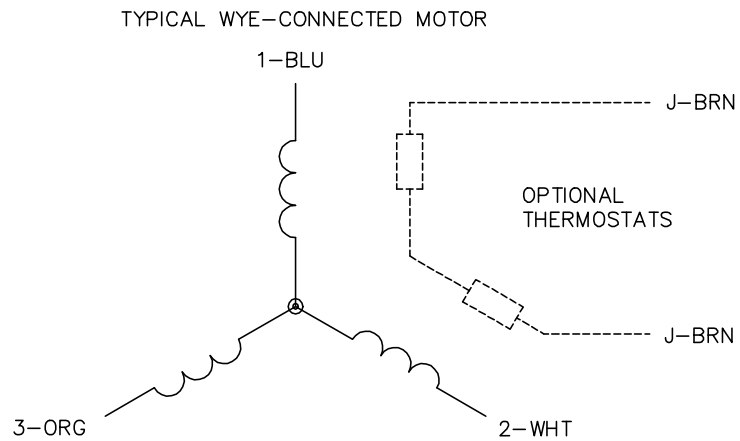
TORQUES (LB-FT): PO=101 PU=33.7 LR=43.9 LRA=145



3/30/2021 ACPERF, record # 46537



CD0006



NOTES:

1. THREE LEAD MOTOR MAY BE EITHER WYE CONNECTED OR DELTA CONNECTED.
2. INTERCHANGE ANY TWO LINE LEADS TO REVERSE ROTATION.
3. OPTIONAL THERMOSTATS ARE PROVIDED WHEN SPECIFIED.
4. ACTUAL NUMBER OF INTERNAL PARALLEL CIRCUITS MAY VARY.
5. LEAD COLORS ARE OPTIONAL. LEADS MUST BE NUMBERED AS SHOWN.

CD0006

REV. DESC: ADD CLASS CONN00000007		
REV. LTR: E	VERSION: 01	TDR: 000001099922
FILE: \AAA\00005\141	REVISED: 10:24:49 02/19/2019	BY: ENBRIRO
MTL: -	© □	

BALDOR - RELIANCE®

3PH, SV, 3 LEADS, WYE OR DELTA CONNECTED

SH 1 of 1