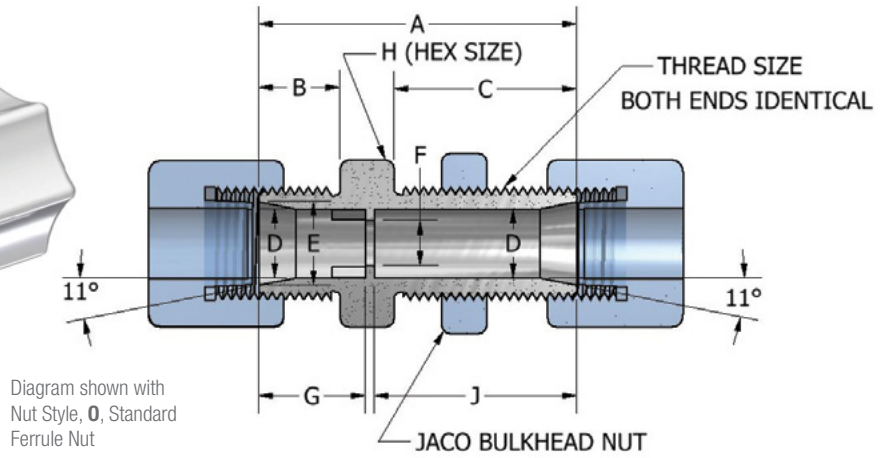
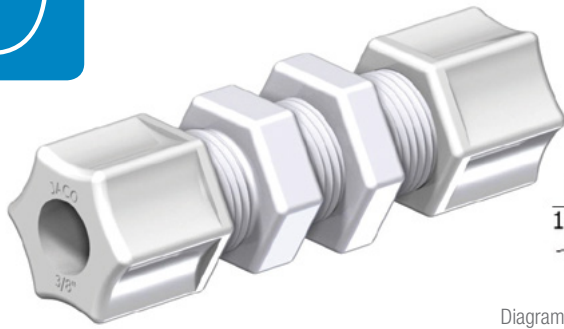


BULKHEAD UNIONS

20



Bulkhead Union

JACO Part No.	Tube O.D.	Comp. Thd.	A	B	C	D	E	F	G	H	J	Bulkhead Thru Hole Clearance Recommendation	
Conf.	Tube	Mtl.	Nut										
20	4	P	0	$\pm 1/64$	$\pm 1/64$	$\pm 1/64$	+0.005 +0.010		$\pm 1/64$	$\pm 1/64$	$\pm 1/64$	$\pm 1/64$	
20	5	K	PG	1-31/64	23/64	7/8	.250	.330-.335	.170	15/32	5/8	31/32	15/32
20	6	Z	SG	1-5/8	23/64	63/64	.312	.380-.385	.232	31/64	11/16	1-3/32	17/32
20	8	C		1-49/64	29/64	1-1/64	.375	.460-.465	.250	19/32	13/16	1-1/8	21/32
20	12	MATL	NUT	1-7/8	35/64	1-3/64	.500	.590-.595	.375	11/16	15/16	1-9/64	25/32
20	12			2-13/64	43/64	1-11/32	.750	.860-.865	.625	13/16	1-5/16	1-15/32	1-3/32