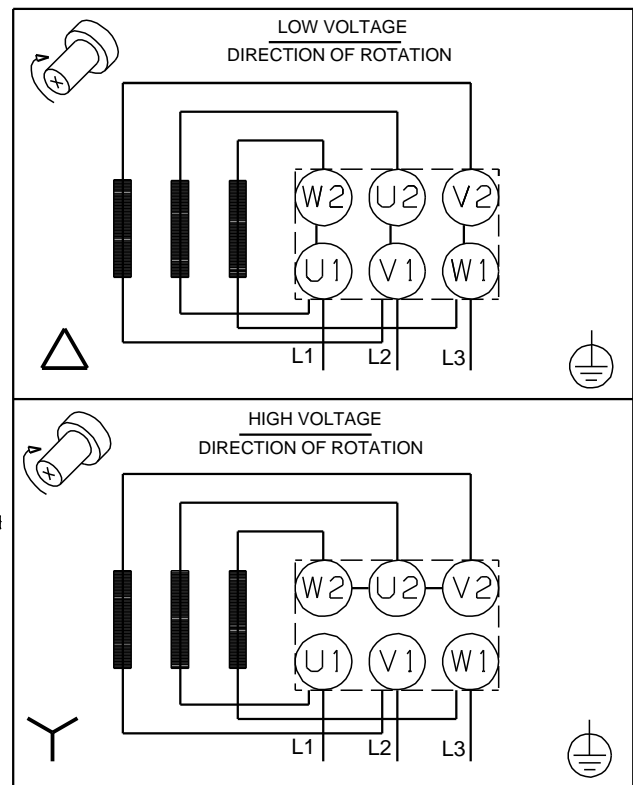
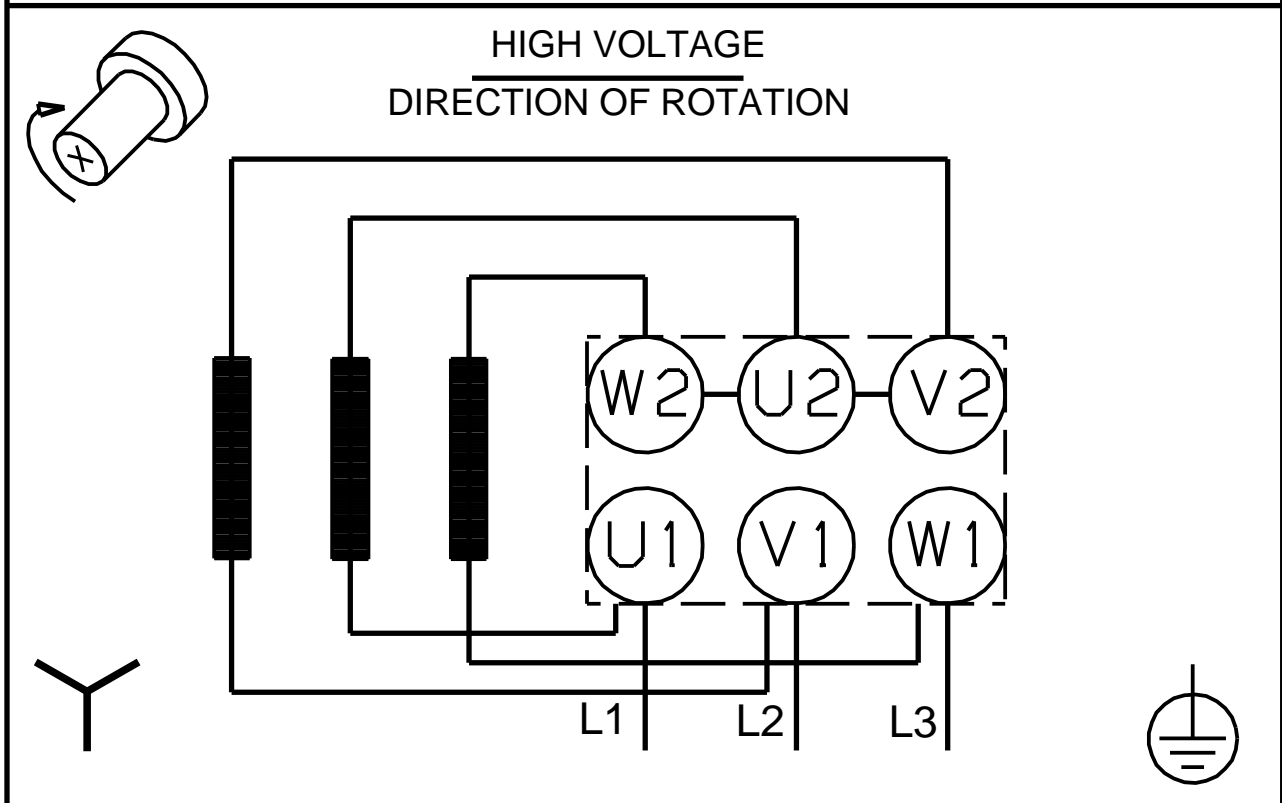
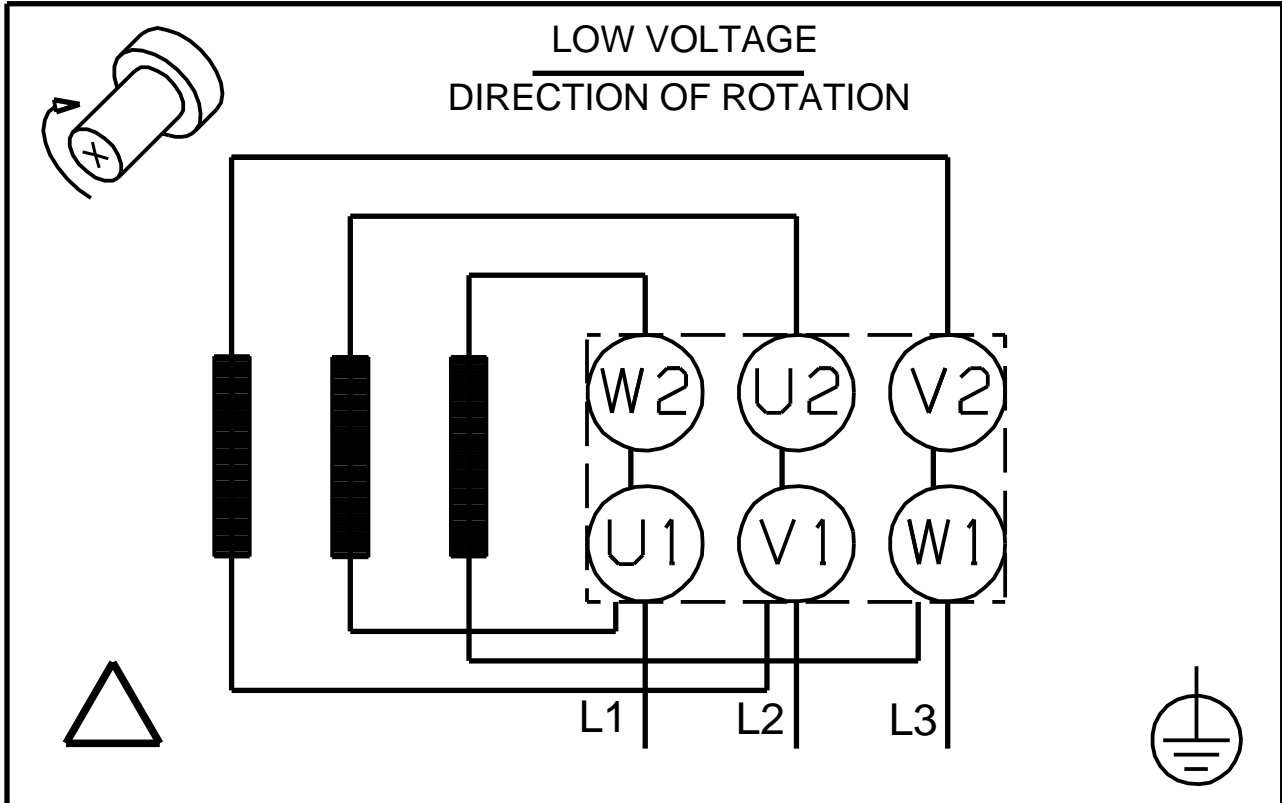


| Count | Description |
|-------|--------------------------------------------------------------------------------------------------------------------------------------------------------------------------------------------------------------------------------------------------------------------------------------------------------------------------------------------------------------------------------------------------------------------------------------------------------------------------------------------------------------------------------------------------------------------------------------------------------------------------------------------------------------------------------------------------------------------------------------------------------------------------------------------------------------------------------------------------------------------------------------------|
| 1 | BALDOR 254TC  <p>Product photo could vary from the actual product</p> <p>Product No.: 85600H24 The motor is a 3-phase AC standard motor.</p> <p>Installation: Maximum ambient temperature: 104 °F Flange size for motor: 254TC</p> <p>Electrical data: Motor type: BALDOR IE Efficiency class: IE3 / NEMA Premium Rated power - P2: 15 HP Main frequency: 60 Hz Rated voltage: 3 x 208-230/460 V Service factor: 1.15 Rated current: 38,0-35,0/17,5 A Rated speed: 3520 rpm IE efficiency: IE3 91% Motor efficiency at full load: 91-91 % Number of poles: 2 Enclosure class (IEC 34-5): IP54 Insulation class (IEC 85): F</p> <p>Others: Net weight: 211 lb Color/Type: BLACK</p> |

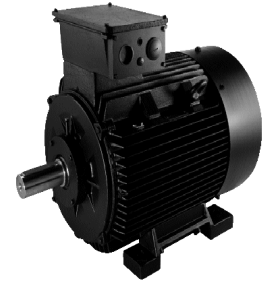
| Description | Value |
|--------------------------------|--------------------|
| General information: | |
| Product name: | BALDOR 254TC |
| Product No.: | 85600H24 |
| EAN: | 5700394567787 |
| | 5700394567787 |
| Technical: | |
| Shaft diameter: | 1.62 in |
| Length of shaft end: | 3.75 in |
| Cooling: | TEFC |
| Installation: | |
| Maximum ambient temperature: | 104 °F |
| Flange size for motor: | 254TC |
| Electrical data: | |
| Motor type: | BALDOR |
| IE Efficiency class: | IE3 / NEMA Premium |
| Rated power - P2: | 15 HP |
| Main frequency: | 60 Hz |
| Rated voltage: | 3 x 208-230/460 V |
| Service factor: | 1.15 |
| Rated current: | 38,0-35,0/17,5 A |
| Load current: | 44-40/20 A |
| Rated speed: | 3520 rpm |
| IE efficiency: | IE3 91% |
| Motor efficiency at full load: | 91-91 % |
| Number of poles: | 2 |
| Enclosure class (IEC 34-5): | IP54 |
| Insulation class (IEC 85): | F |
| Motor protection: | NONE |
| Tropic protec: | NO |
| Mounting design per IEC 34-7: | NEMA type C |
| Others: | |
| Net weight: | 211 lb |
| Color/Type: | BLACK |



85600H24 BALDOR 254TC 60 Hz



All units are [in] unless otherwise presented.



Ordering data

85600H24 BALDOR 254TC 60 Hz

Product No.: 85600H24

Company name: Date: 5/29/2020
 Created by: Phone: Fax:

Project: Client number:
 Contact: Reference number:

Electrical data:

| | |
|----------------------------------------------------|--------------------|
| Frequency | 60 Hz |
| Rated motor voltage | 208-230/460 V |
| Rated motor power | 15 HP |
| Rated motor speed | 3520 rpm |
| Rated motor torque | - |
| Wiring connection | - |
| Rated motor current | 38,0-35,0/17,5 A |
| Max motor current | - |
| Efficiency class | IE3 / NEMA Premium |
| Full load Efficiency % | 91-91 % |
| Power factor | - |
| Starting- / Rated motor current ^(50/60) | / |
| Breakdown- / Rated motor torque ^(50/60) | / % |
| Starting- / Rated motor torque ^(50/60) | / |

Mechanical data:

| | |
|---------------------------------------|--------------|
| Noise measurements ^(50/60) | - |
| Moment of inertia | - |
| Drain holes | Yes (closed) |
| Bearing DE | 7309 |
| Bearing NDE | 6208 |
| Bearing arrangement | NDE-locked |
| Type of bearing DE | - |
| Bearing seal DE | - |
| Characteristic of grease DE | - |
| Type of bearing NDE | - |
| Bearing seal NDE | - |
| Characteristic of grease NDE | - |
| Regreasing device | No |
| Type of lubrication | - |
| Relubrication interval | - |
| Quantity of grease for relubrication | - |
| External grounding | - |
| Color/type | BLACK |

Explosion protection:

| | |
|--------------------|---|
| Type of protection | - |
|--------------------|---|

Ambient conditions:

| | |
|------------------------------|-----------|
| Ambient temperature | |
| Altitude above sea level | 3280 ft |
| Approvals and specifications | IEC 60034 |

General data:

| | |
|--------------------------------------|----------------------------------|
| Frame size | BALDOR |
| Type of construction | NEMA type C Flange size 254TC |
| Weight, without optional accessories | 211 lb |
| Frame material | - |
| Degree of protection | IP IP54 |
| Method of cooling, TEFC | TEFC |
| Vibration class | |
| Insulation class | 155(F) to 130(B) |
| Duty type | - |
| Direction of rotation | CW / |

Terminal box:

| | |
|--------------------------|---|
| Material of terminal box | - |
| Cable entry | - |
| Cable gland | - |

Protection:

| | |
|---------------------|---|
| Built-in protection | - |
|---------------------|---|



Company name:

Created by:

Phone:

Date: 5/29/2020

Order Data:

Product name: BALDOR 254TC

Amount: 1

Product No.: 85600H24

Total: Price on request
