



Company name:

Created by:

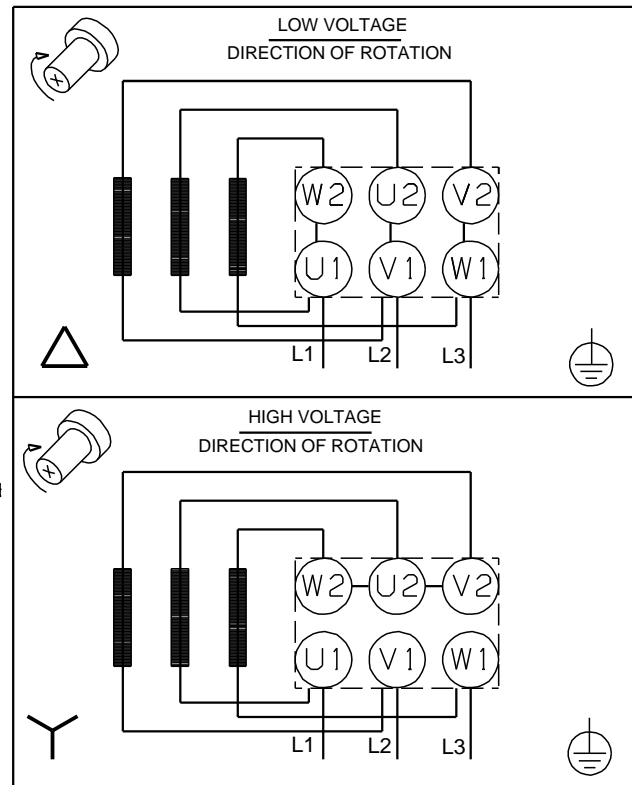
Phone:

Date:

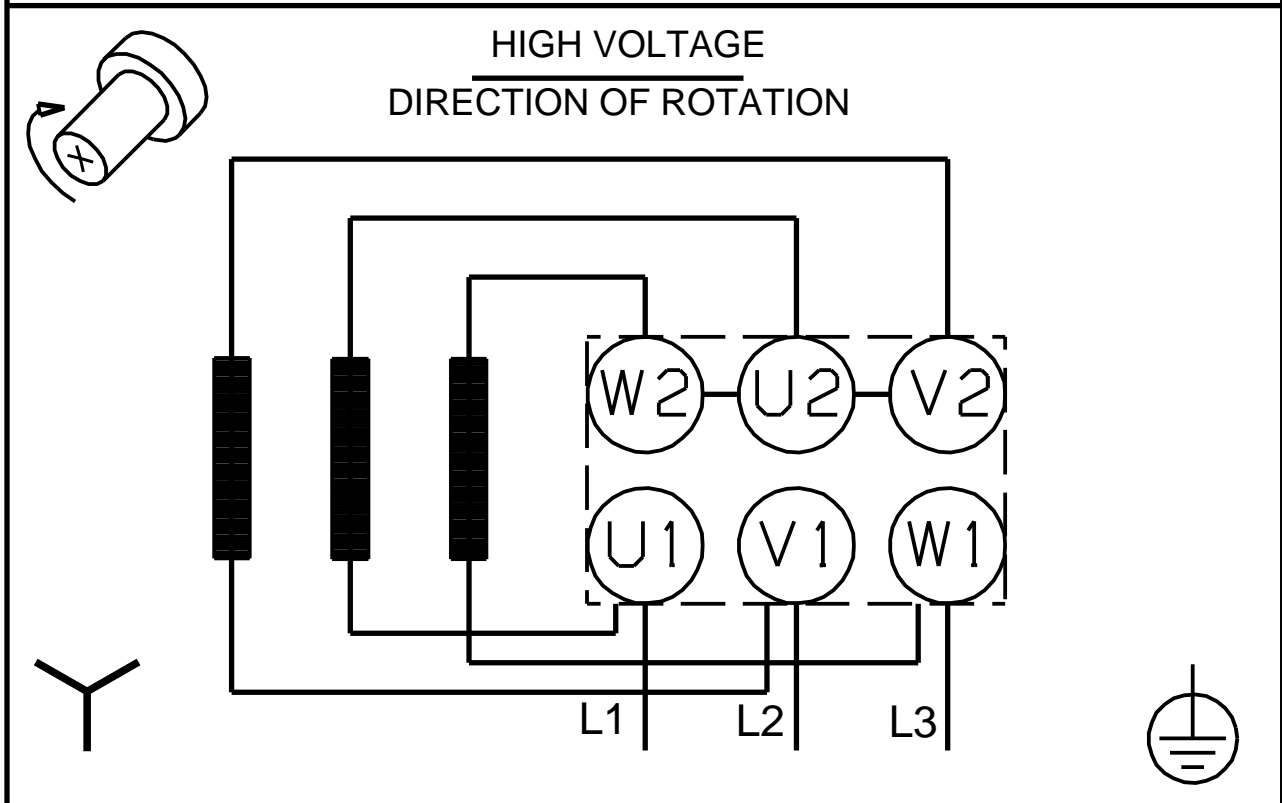
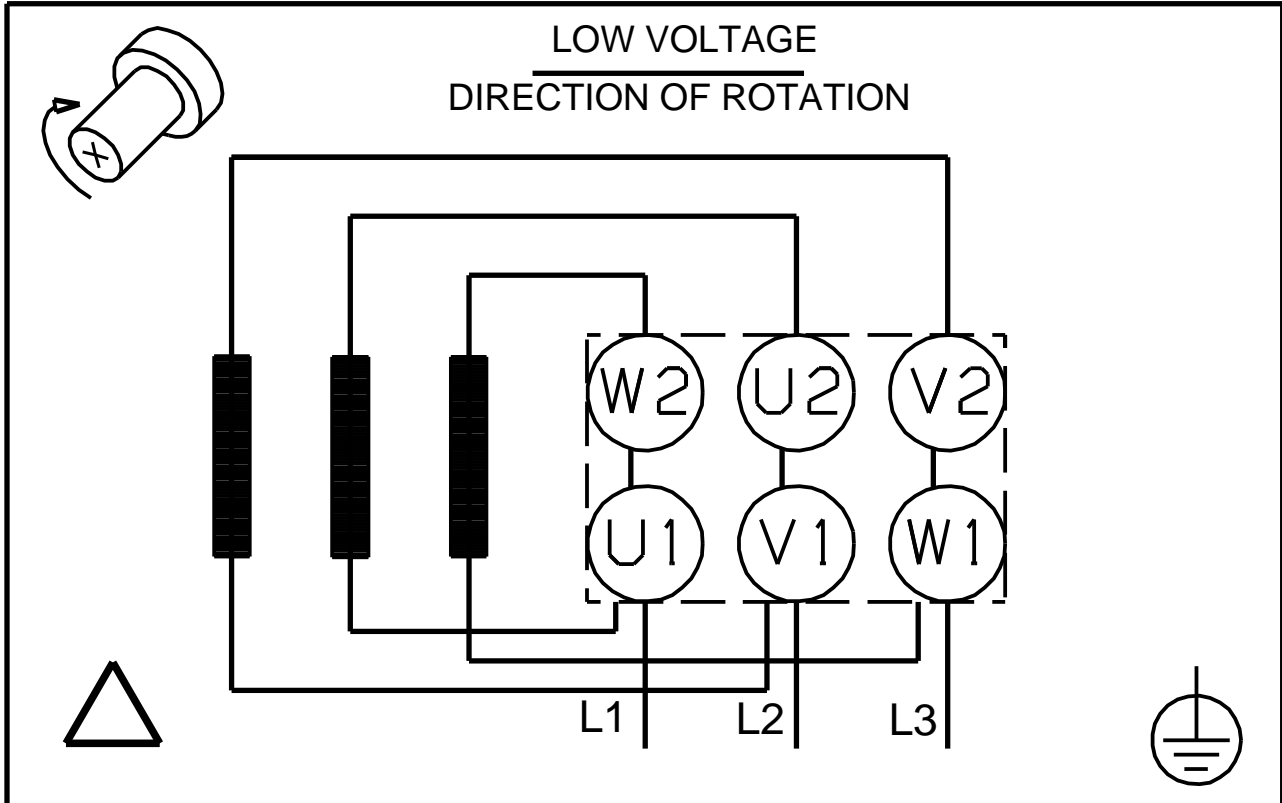
5/29/2020

Count	Description
1	<p>BALDOR 182TC Product No.: 84Z06104 The motor is a 3-phase AC standard motor.</p> <p>Installation: Maximum ambient temperature: 104 °F Flange size for motor: 182TC</p> <p>Electrical data: Motor type: BALDOR IE Efficiency class: NEMA Premium / IE3 60Hz Rated power - P2: 5 HP Main frequency: 60 Hz Rated voltage: 3 x 575 V Service factor: 1.15 Rated current: 4.7 A Rated speed: 3450 rpm Number of poles: 2 Enclosure class (IEC 34-5): 54 Dust/Splashing Insulation class (IEC 85): F</p> <p>Others: Net weight: 63.9 lb Color/Type: BLACK</p>

Description	Value
General information:	
Product name:	BALDOR 182TC
Product No.:	84Z06104
EAN:	5712605646778
	5712605646778
Technical:	
Shaft diameter:	1.13 in
Length of shaft end:	2.75 in
Cooling:	TEFC
Installation:	
Maximum ambient temperature:	104 °F
Flange size for motor:	182TC
Electrical data:	
Motor type:	BALDOR
IE Efficiency class:	NEMA Premium / IE3 60Hz
Rated power - P2:	5 HP
Main frequency:	60 Hz
Rated voltage:	3 x 575 V
Service factor:	1.15
Rated current:	4.7 A
Load current:	5.3 A
Rated speed:	3450 rpm
Number of poles:	2
Enclosure class (IEC 34-5):	54 Dust/Splashing
Insulation class (IEC 85):	F
Motor protection:	NONE
Tropic protec:	No
Mounting design per IEC 34-7:	NEMA type C
Others:	
Net weight:	63.9 lb
Color/Type:	BLACK



84Z06104 BALDOR 182TC 60 Hz



All units are [in] unless otherwise presented.

Ordering data

84Z06104 BALDOR 182TC 60 Hz

Product No.: 84Z06104

Company name: Date: 5/29/2020
Created by: Phone: Fax:

Project: Client number:
Contact: Reference number:

Electrical data:

Frequency	60 Hz
Rated motor voltage	575 V
Rated motor power	5 HP
Rated motor speed	3450 rpm
Rated motor torque	-
Wiring connection	-
Rated motor current	4.7 A
Max motor current	-
Efficiency class	NEMA Premium / IE3 60Hz
Full load Efficiency %	-
Power factor	-
Starting- / Rated motor current ^(50/60)	/
Breakdown- / Rated motor torque ^(50/60)	/ %
Starting- / Rated motor torque ^(50/60)	/

Mechanical data:

Noise measurements ^(50/60)	-
Moment of inertia	-
Drain holes	Yes (closed)
Bearing DE	6307
Bearing NDE	6205
Bearing arrangement	NDE-locked
Type of bearing DE	-
Bearing seal DE	-
Characteristic of grease DE	-
Type of bearing NDE	-
Bearing seal NDE	-
Characteristic of grease NDE	-
Regreasing device	No
Type of lubrication	-
Relubrication interval	-
Quantity of grease for relubrication	-
External grounding	-
Color/type	BLACK

Explosion protection:

Type of protection	-
--------------------	---

Ambient conditions:

Ambient temperature	
Altitude above sea level	3280 ft
Approvals and specifications	IEC 60034

General data:

Frame size	BALDOR
Type of construction	NEMA type C Flange size 182TC
Weight, without optional accessories	63.9 lb
Frame material	-
Degree of protection	IP 54 Dust/Splashing
Method of cooling, TEFC	TEFC
Vibration class	
Insulation class	155(F) to 130(B)
Duty type	-
Direction of rotation	CW /

Terminal box:

Material of terminal box	-
Cable entry	-
Cable gland	-

Protection:

Built-in protection	-
---------------------	---



Company name:

Created by:

Phone:

Date: 5/29/2020

Order Data:

Product name: BALDOR 182TC

Amount: 1

Product No.: 84Z06104

Total: Price on request
