



Company name:

Created by:

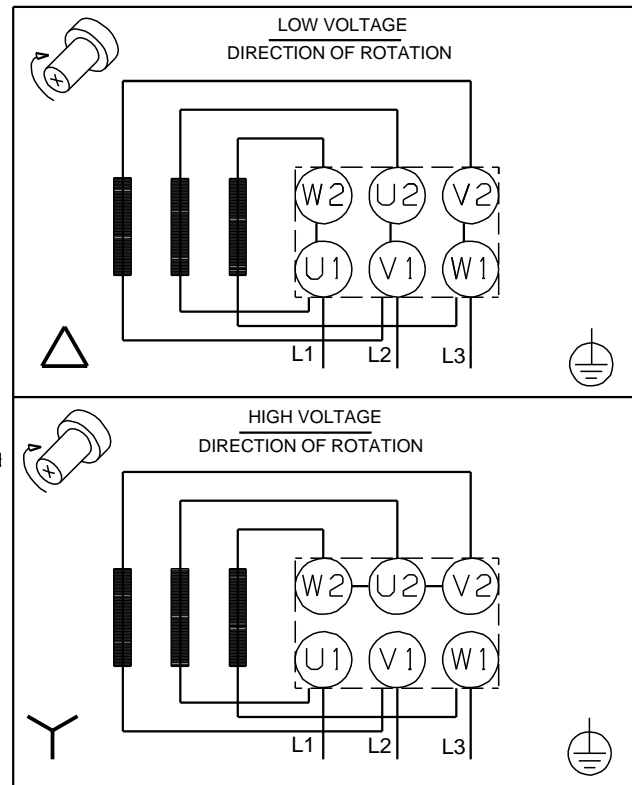
Phone:

Date:

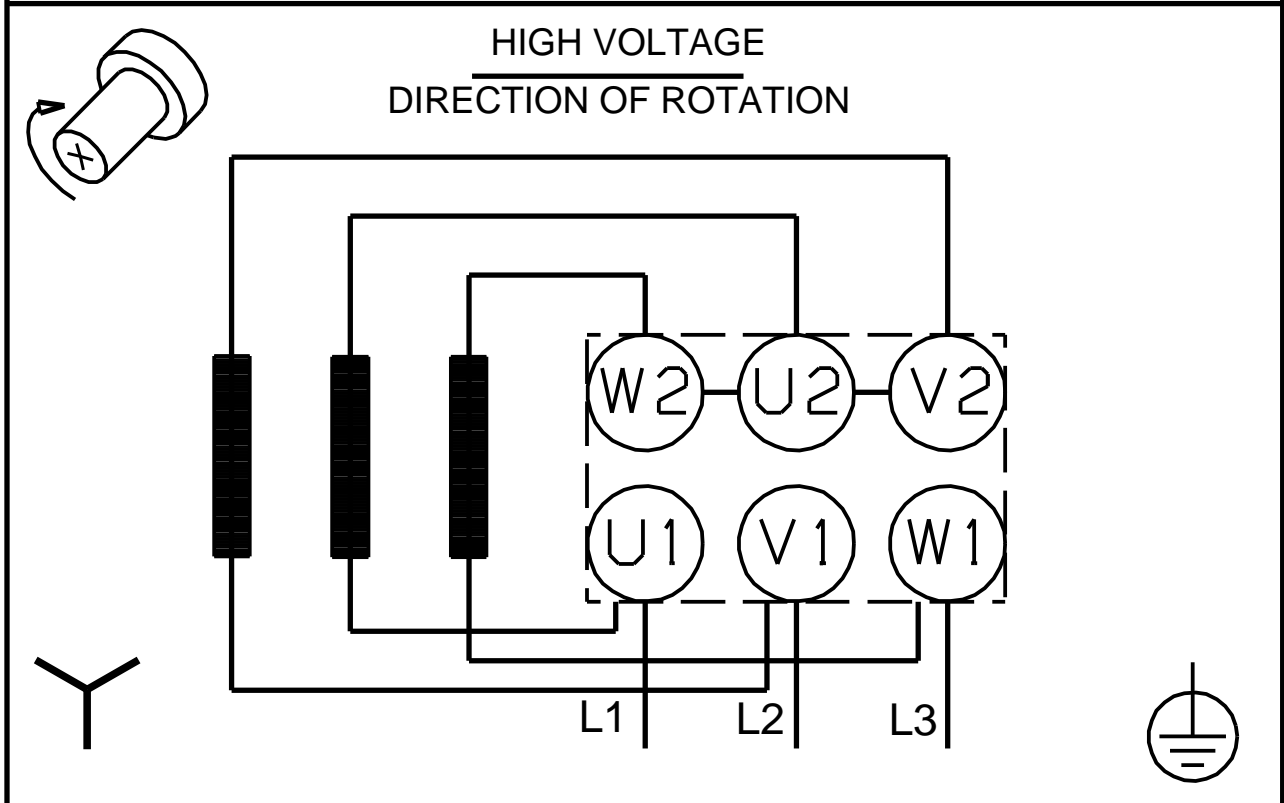
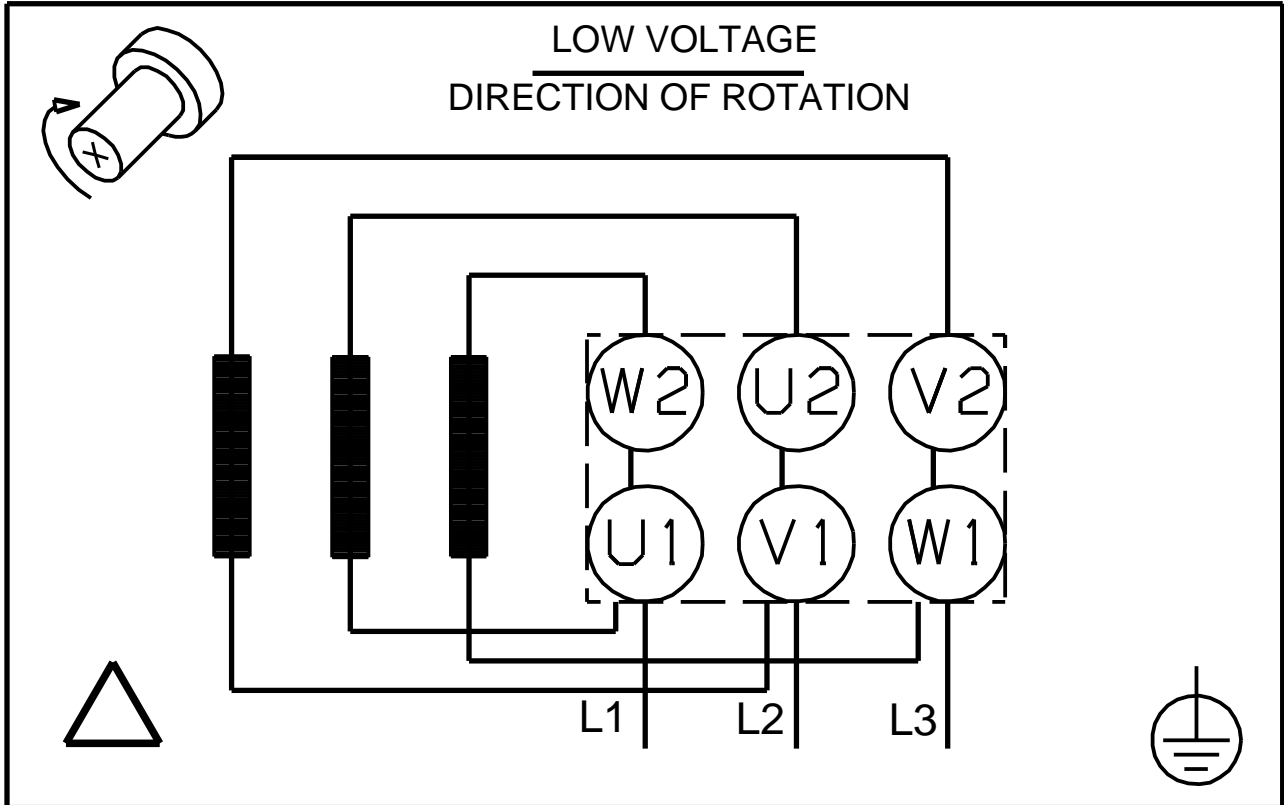
5/29/2020

Count	Description
1	<p>BALDOR 56C Product No.: 84Z05022 The motor is a 3-phase AC standard motor.</p> <p>Installation: Maximum ambient temperature: 104 °F Flange size for motor: 56C</p> <p>Electrical data: Motor type: BALDOR Rated power - P2: 2 HP Main frequency: 60 Hz Rated voltage: 3 x 575 V Service factor: 1.15 Rated current: 2.1 A Rated speed: 3450 rpm Number of poles: 2 Insulation class (IEC 85): B</p> <p>Others: Net weight: 46.3 lb Color/Type: BLACK</p>

Description	Value
General information:	
Product name:	BALDOR 56C
Product No.:	84Z05022
EAN:	5700310298115
	5700310298115
Technical:	
Shaft diameter:	0.62 in
Length of shaft end:	1.93 in
Cooling:	TEFC
Installation:	
Maximum ambient temperature:	104 °F
Flange size for motor:	56C
Electrical data:	
Motor type:	BALDOR
Rated power - P2:	2 HP
Main frequency:	60 Hz
Rated voltage:	3 x 575 V
Service factor:	1.15
Rated current:	2.1 A
Load current:	2.4 A
Rated speed:	3450 rpm
Number of poles:	2
Insulation class (IEC 85):	B
Motor protection:	NONE
Tropic protec:	No
Mounting design per IEC 34-7:	NEMA type C
Others:	
Net weight:	46.3 lb
Color/Type:	BLACK



84Z05022 BALDOR 56C 60 Hz



All units are [in] unless otherwise presented.

Ordering data

84Z05022 BALDOR 56C 60 Hz

Product No.: 84Z05022

Company name: Date: 5/29/2020
Created by: Phone: Fax:

Project: Client number:
Contact: Reference number:

Electrical data:

Frequency	60 Hz
Rated motor voltage	575 V
Rated motor power	2 HP
Rated motor speed	3450 rpm
Rated motor torque	-
Wiring connection	-
Rated motor current	2.1 A
Max motor current	-
Efficiency class	-
Full load Efficiency %	-
Power factor	-
Starting- / Rated motor current ^(50/60)	/
Breakdown- / Rated motor torque ^(50/60)	/ %
Starting- / Rated motor torque ^(50/60)	/

Mechanical data:

Noise measurements ^(50/60)	-	-
Moment of inertia	-	
Drain holes		
Bearing DE	6306	
Bearing NDE	6203	
Bearing arrangement	NDE-locked	
Type of bearing DE	-	
Bearing seal DE	-	
Characteristic of grease DE	-	
Type of bearing NDE	-	
Bearing seal NDE	-	
Characteristic of grease NDE	-	
Regreasing device	No	
Type of lubrication	-	
Relubrication interval	-	
Quantity of grease for relubrication	-	
External grounding	-	
Color/type	BLACK	

Explosion protection:

Type of protection	-
--------------------	---

Ambient conditions:

Ambient temperature	
Altitude above sea level	3280 ft
Approvals and specifications	IEC 60034

General data:

Frame size	BALDOR
Type of construction	NEMA type C Flange size 56C
Weight, without optional accessories	46.3 lb
Frame material	-
Degree of protection	
Method of cooling, TEFC	TEFC
Vibration class	
Insulation class	155(F) to 130(B)
Duty type	-
Direction of rotation	CCW /

Terminal box:

Material of terminal box	-
Cable entry	-
Cable gland	-

Protection:

Built-in protection	-
---------------------	---



Company name:

Created by:

Phone:

Date: 5/29/2020

Order Data:

Product name: BALDOR 56C

Amount: 1

Product No.: 84Z05022

Total: Price on request
