



Company name:

Created by:

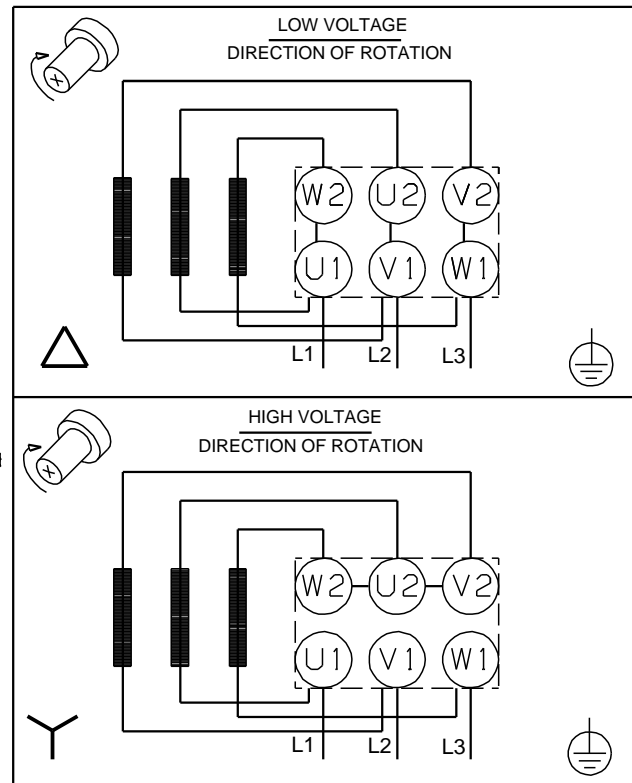
Phone:

Date:

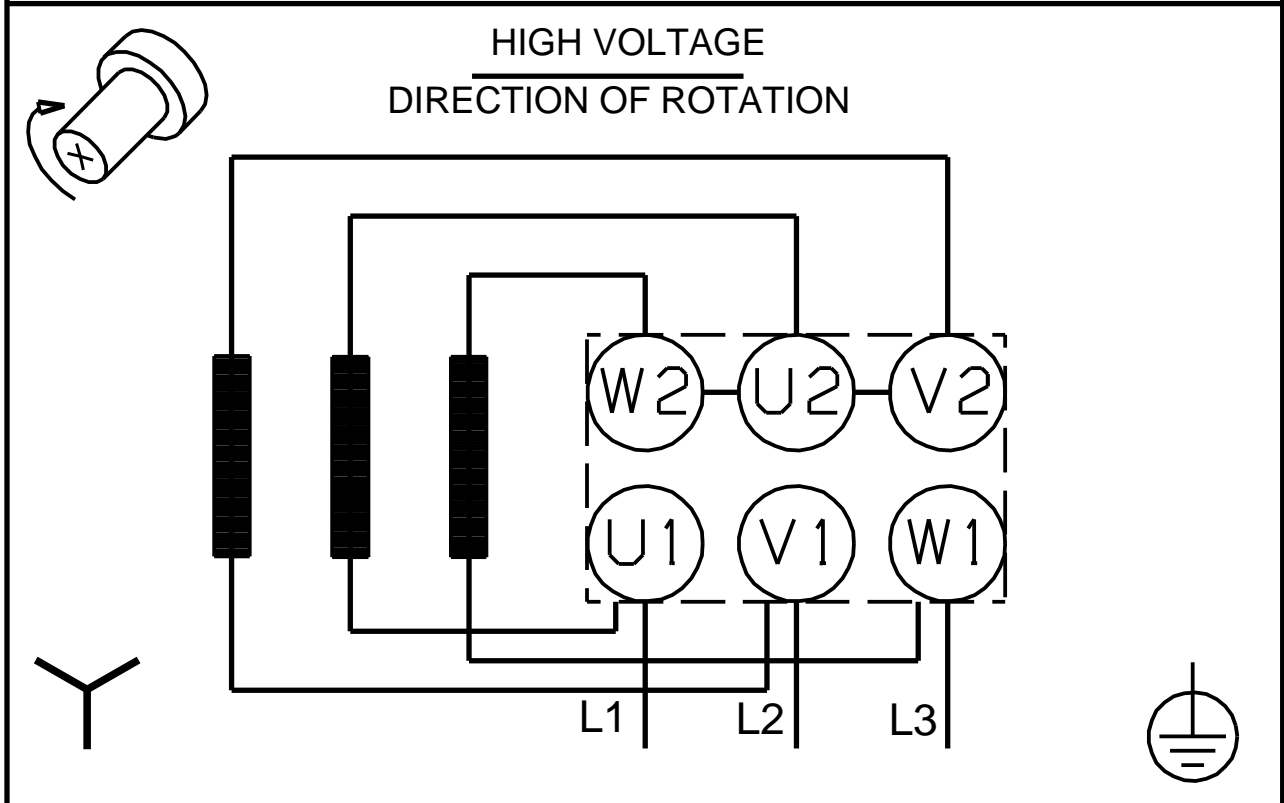
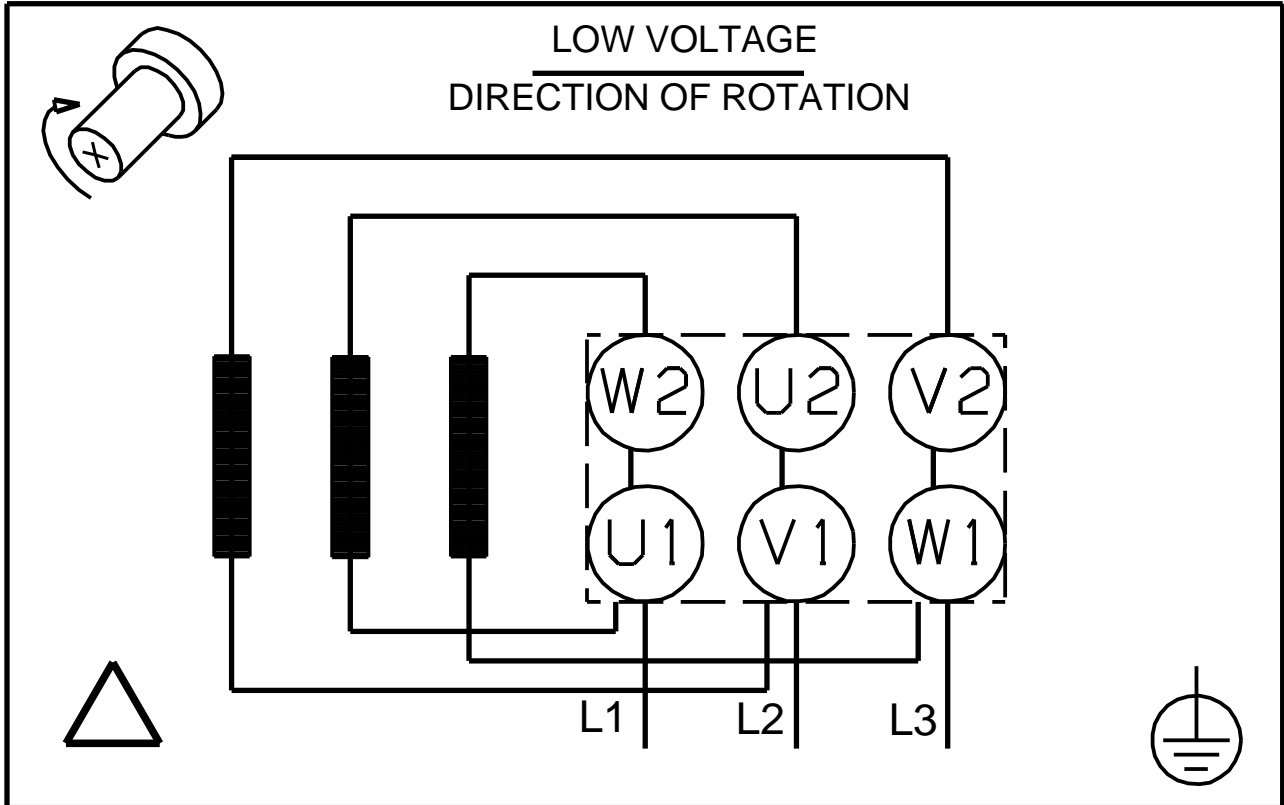
5/29/2020

Count	Description
1	<p data-bbox="225 338 703 427"><b>BALDOR 182TC</b> Product No.: <a href="#">84Z04209</a> The motor is a 3-phase AC standard motor.</p> <p data-bbox="225 461 667 551"><b>Installation:</b> Maximum ambient temperature: 104 °F Flange size for motor: 182TC</p> <p data-bbox="225 580 799 904"><b>Electrical data:</b> Motor type: BALDOR Rated power - P2: 3 HP Main frequency: 60 Hz Rated voltage: 3 x 575 V Service factor: 1.15 Rated current: 2.7 A Rated speed: 3500 rpm Number of poles: 2 Enclosure class (IEC 34-5): 54 Dust/Splashing Insulation class (IEC 85): F</p> <p data-bbox="225 936 675 1025"><b>Others:</b> Net weight: 86 lb Color/Type: BLACK</p>

Description	Value
<b>General information:</b>	
Product name:	BALDOR 182TC
Product No.:	84Z04209
EAN:	5700832161614
	5700832161614
<b>Technical:</b>	
Shaft diameter:	1.13 in
Length of shaft end:	2.63 in
Cooling:	TEFC
<b>Installation:</b>	
Maximum ambient temperature:	104 °F
Flange size for motor:	182TC
<b>Electrical data:</b>	
Motor type:	BALDOR
Rated power - P2:	3 HP
Main frequency:	60 Hz
Rated voltage:	3 x 575 V
Service factor:	1.15
Rated current:	2.7 A
Rated speed:	3500 rpm
Number of poles:	2
Enclosure class (IEC 34-5):	54 Dust/Splashing
Insulation class (IEC 85):	F
Motor protection:	NONE
Tropic protec:	No
Mounting design per IEC 34-7:	NEMA type C
<b>Others:</b>	
Net weight:	86 lb
Color/Type:	BLACK



**84Z04209 BALDOR 182TC 60 Hz**



All units are [in] unless otherwise presented.

## Ordering data

**84Z04209 BALDOR 182TC 60 Hz**

**Product No.: 84Z04209**

Company name: Date: 5/29/2020  
Created by: Phone: Fax:

Project: Client number:  
Contact: Reference number:

### Electrical data:

Frequency	60 Hz
Rated motor voltage	575 V
Rated motor power	3 HP
Rated motor speed	3500 rpm
Rated motor torque	-
Wiring connection	-
Rated motor current	2.7 A
Max motor current	-
Efficiency class	-
Full load Efficiency %	-
Power factor	-
Starting- / Rated motor current <sup>(50/60)</sup>	/
Breakdown- / Rated motor torque <sup>(50/60)</sup>	/ %
Starting- / Rated motor torque <sup>(50/60)</sup>	/

### Mechanical data:

Noise measurements <sup>(50/60)</sup>	-
Moment of inertia	-
Drain holes	Yes (closed)
Bearing DE	6307
Bearing NDE	-
Bearing arrangement	NDE-locked
Type of bearing DE	-
Bearing seal DE	-
Characteristic of grease DE	-
Type of bearing NDE	-
Bearing seal NDE	-
Characteristic of grease NDE	-
Regreasing device	No
Type of lubrication	-
Relubrication interval	-
Quantity of grease for relubrication	-
External grounding	-
Color/type	BLACK

### Explosion protection:

Type of protection	-
--------------------	---

### Ambient conditions:

Ambient temperature	
Altitude above sea level	3280 ft
Approvals and specifications	IEC 60034

### General data:

Frame size	BALDOR
Type of construction	NEMA type C Flange size 182TC
Weight, without optional accessories	86 lb
Frame material	-
Degree of protection	IP 54 Dust/Splashing
Method of cooling, TEFC	TEFC
Vibration class	
Insulation class	155(F) to 130(B)
Duty type	-
Direction of rotation	CCW /

### Terminal box:

Material of terminal box	-
Cable entry	-
Cable gland	-

### Protection:

Built-in protection	-
---------------------	---



Company name:

Created by:

Phone:

Date: 5/29/2020

---

**Order Data:**

Product name: BALDOR 182TC

Amount: 1

Product No.: 84Z04209

Total: Price on request

---