



Company name:

Created by:

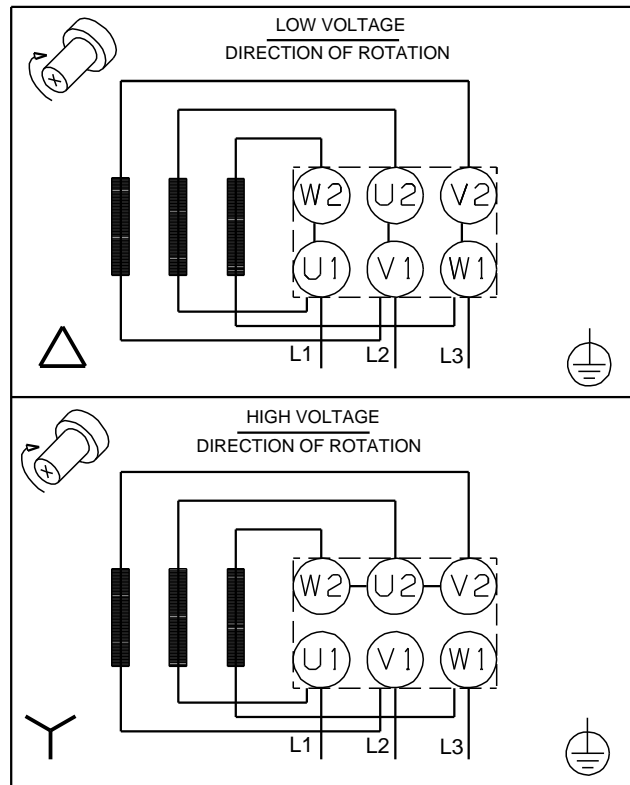
Phone:

Date:

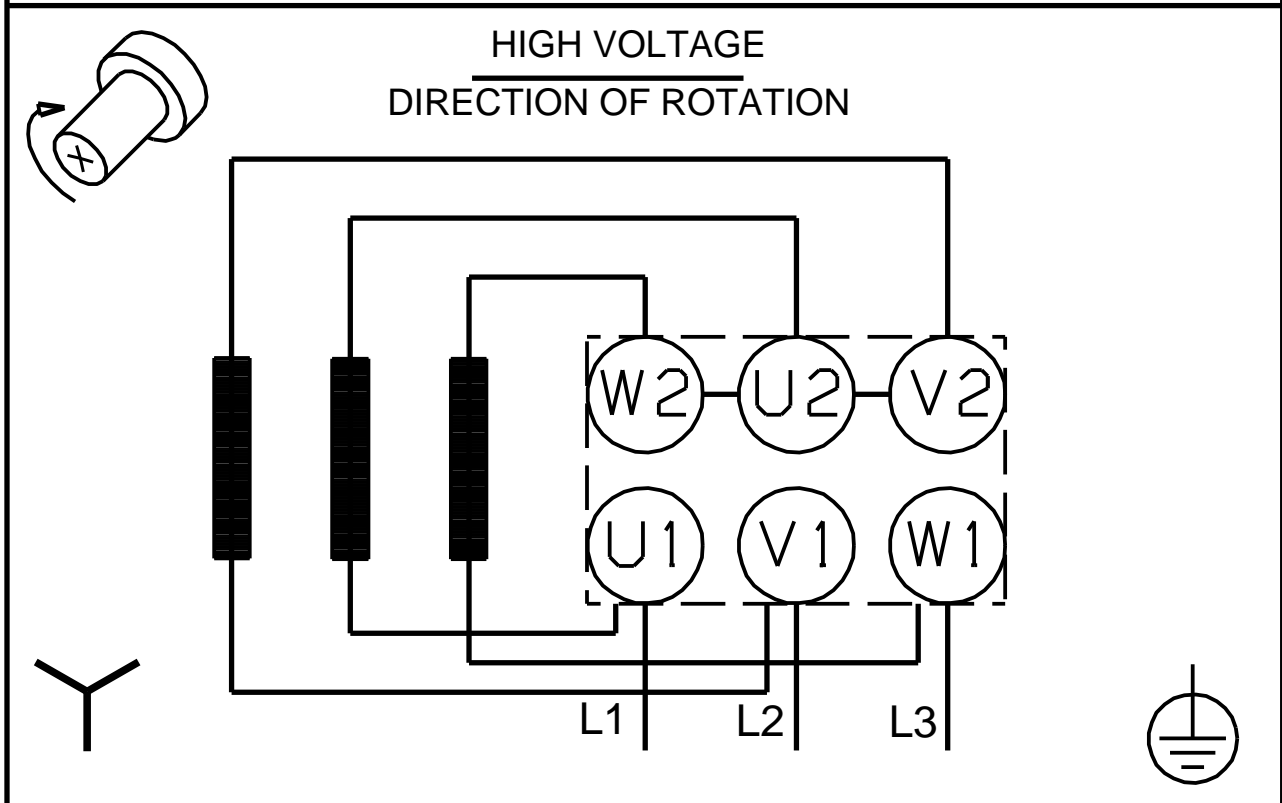
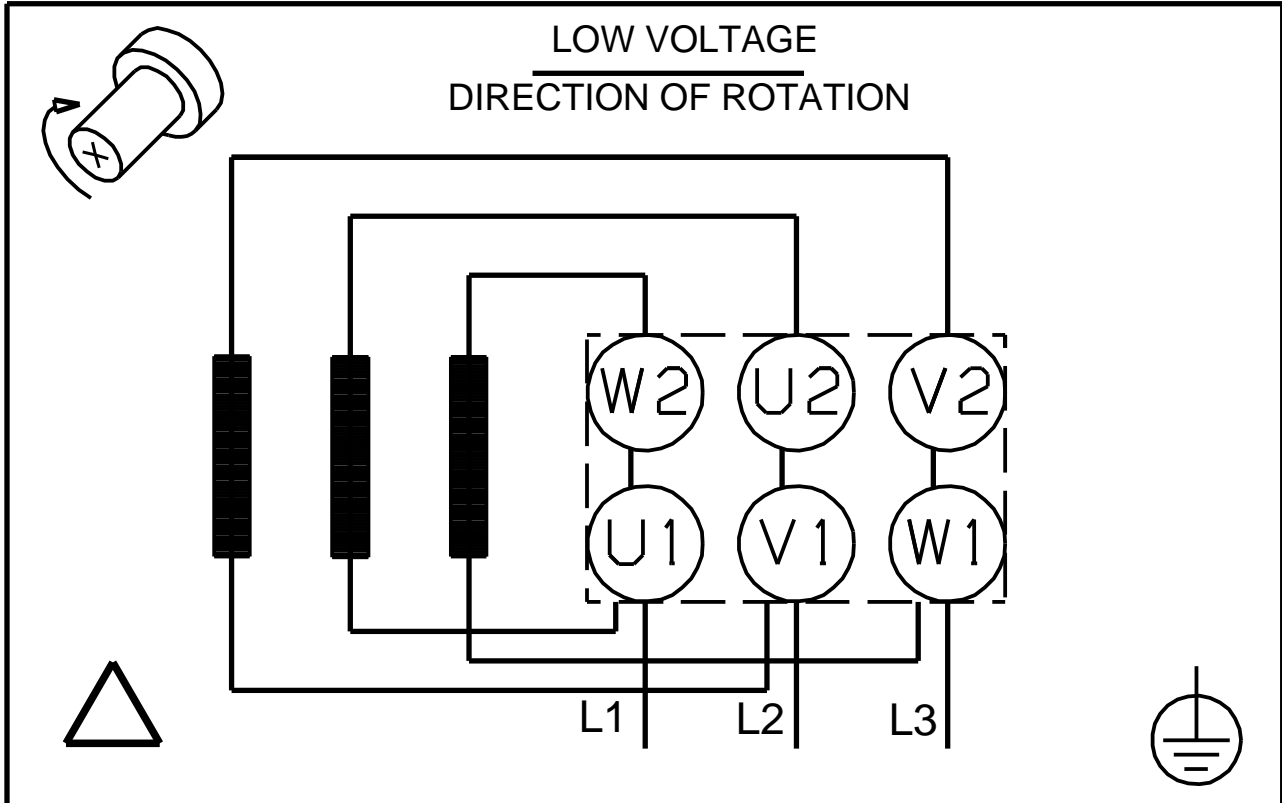
5/29/2020

Count	Description
1	<p data-bbox="225 338 416 367">BALDOR 213TC</p> <p data-bbox="225 369 494 398">Product No.: 84Z04208</p> <p data-bbox="225 400 703 430">The motor is a 3-phase AC standard motor.</p> <p data-bbox="225 461 368 490">Installation:</p> <p data-bbox="225 492 727 521">Range of ambient temperature: -22 .. 104 °F</p> <p data-bbox="225 524 667 553">Flange size for motor: 213TC</p> <p data-bbox="225 584 405 613">Electrical data:</p> <p data-bbox="225 616 692 645">Motor type: BALDOR</p> <p data-bbox="225 647 660 676">Rated power - P2: 10 HP</p> <p data-bbox="225 678 655 707">Main frequency: 60 Hz</p> <p data-bbox="225 710 695 739">Rated voltage: 3 x 575 V</p> <p data-bbox="225 741 639 770">Service factor: 1.15</p> <p data-bbox="225 772 628 801">Rated current: 9 A</p> <p data-bbox="225 804 695 833">Rated speed: 3500 rpm</p> <p data-bbox="225 835 603 864">Number of poles: 2</p> <p data-bbox="225 866 799 896">Enclosure class (IEC 34-5): 54 Dust/Splashing</p> <p data-bbox="225 898 603 927">Insulation class (IEC 85): F</p> <p data-bbox="225 958 320 987">Others:</p> <p data-bbox="225 990 660 1019">Net weight: 154 lb</p> <p data-bbox="225 1021 671 1050">Color/Type: BLACK</p>

Description	Value
General information:	
Product name:	BALDOR 213TC
Product No.:	84Z04208
EAN:	5700832161591
	5700832161591
Technical:	
Shaft diameter:	1.37 in
Length of shaft end:	3.12 in
Cooling:	TEFC
Installation:	
Range of ambient temperature:	-22 .. 104 °F
Flange size for motor:	213TC
Electrical data:	
Motor type:	BALDOR
Rated power - P2:	10 HP
Main frequency:	60 Hz
Rated voltage:	3 x 575 V
Service factor:	1.15
Rated current:	9 A
Rated speed:	3500 rpm
Number of poles:	2
Enclosure class (IEC 34-5):	54 Dust/Splashing
Insulation class (IEC 85):	F
Motor protection:	NONE
Tropic protec:	No
Mounting design per IEC 34-7:	NEMA type C
Others:	
Net weight:	154 lb
Color/Type:	BLACK



84Z04208 BALDOR 213TC 60 Hz



All units are [in] unless otherwise presented.

Ordering data

84Z04208 BALDOR 213TC 60 Hz

Product No.: 84Z04208

Company name: Date: 5/29/2020
Created by: Phone: Fax:

Project: Client number:
Contact: Reference number:

Electrical data:

Frequency	60 Hz
Rated motor voltage	575 V
Rated motor power	10 HP
Rated motor speed	3500 rpm
Rated motor torque	-
Wiring connection	-
Rated motor current	9 A
Max motor current	-
Efficiency class	-
Full load Efficiency %	-
Power factor	-
Starting- / Rated motor current ^(50/60)	/
Breakdown- / Rated motor torque ^(50/60)	/ %
Starting- / Rated motor torque ^(50/60)	/

Mechanical data:

Noise measurements ^(50/60)	-
Moment of inertia	-
Drain holes	Yes (closed)
Bearing DE	6309
Bearing NDE	6206
Bearing arrangement	NDE-locked
Type of bearing DE	-
Bearing seal DE	-
Characteristic of grease DE	-
Type of bearing NDE	-
Bearing seal NDE	-
Characteristic of grease NDE	-
Regreasing device	No
Type of lubrication	-
Relubrication interval	-
Quantity of grease for relubrication	-
External grounding	-
Color/type	BLACK

Explosion protection:

Type of protection	-
--------------------	---

Ambient conditions:

Ambient temperature	-22°F to 104°F
Altitude above sea level	3280 ft
Approvals and specifications	IEC 60034

General data:

Frame size	BALDOR
Type of construction	NEMA type C Flange size 213TC
Weight, without optional accessories	154 lb
Frame material	-
Degree of protection	IP 54 Dust/Splashing
Method of cooling, TEFC	TEFC
Vibration class	
Insulation class	155(F) to 130(B)
Duty type	-
Direction of rotation	CW /

Terminal box:

Material of terminal box	-
Cable entry	-
Cable gland	-

Protection:

Built-in protection	-
---------------------	---



Company name:

Created by:

Phone:

Date: 5/29/2020

Order Data:

Product name: BALDOR 213TC

Amount: 1

Product No.: 84Z04208

Total: Price on request
