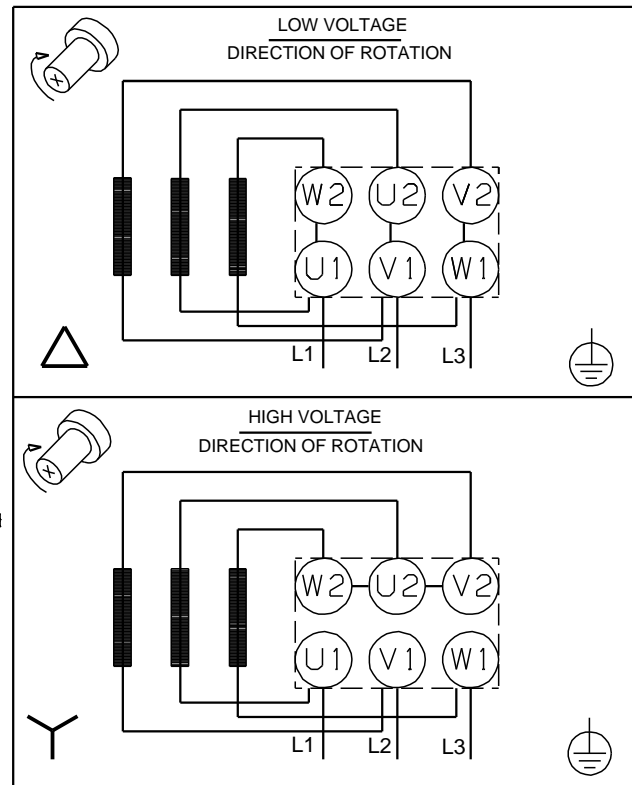
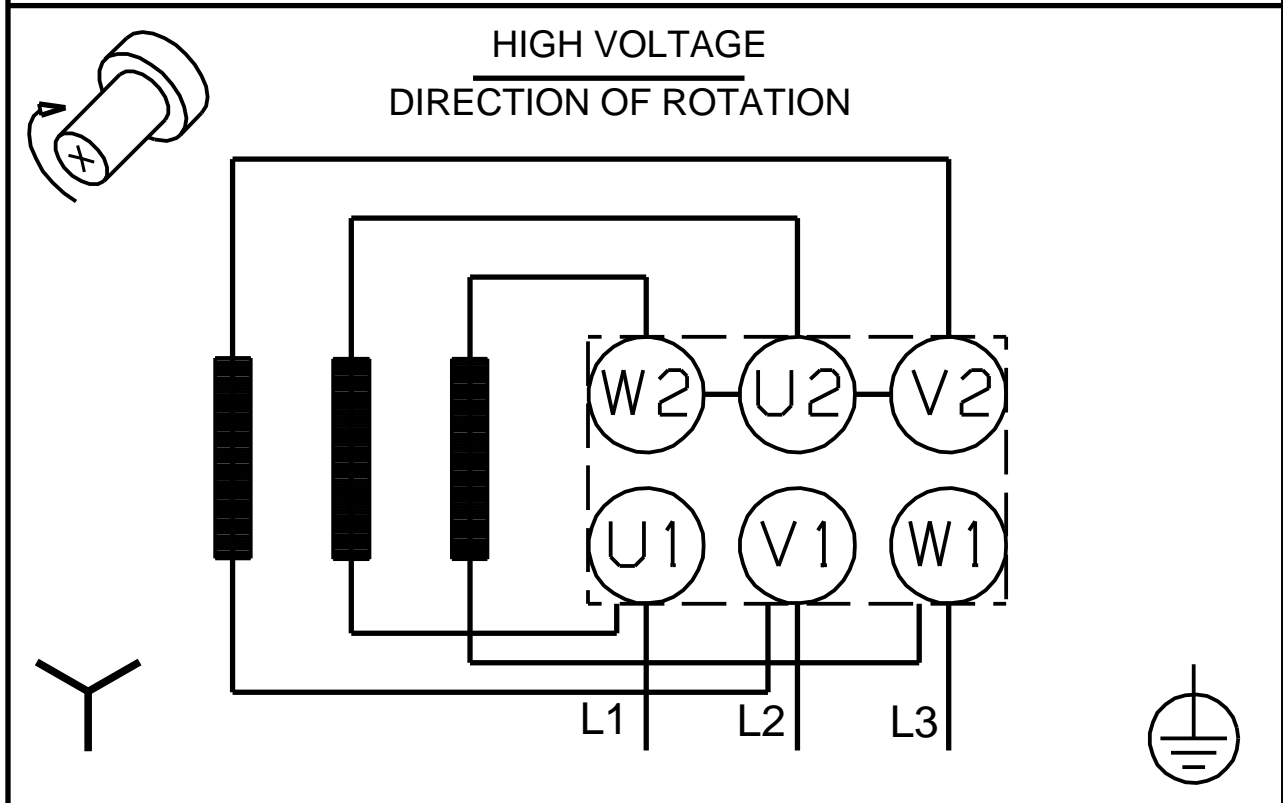
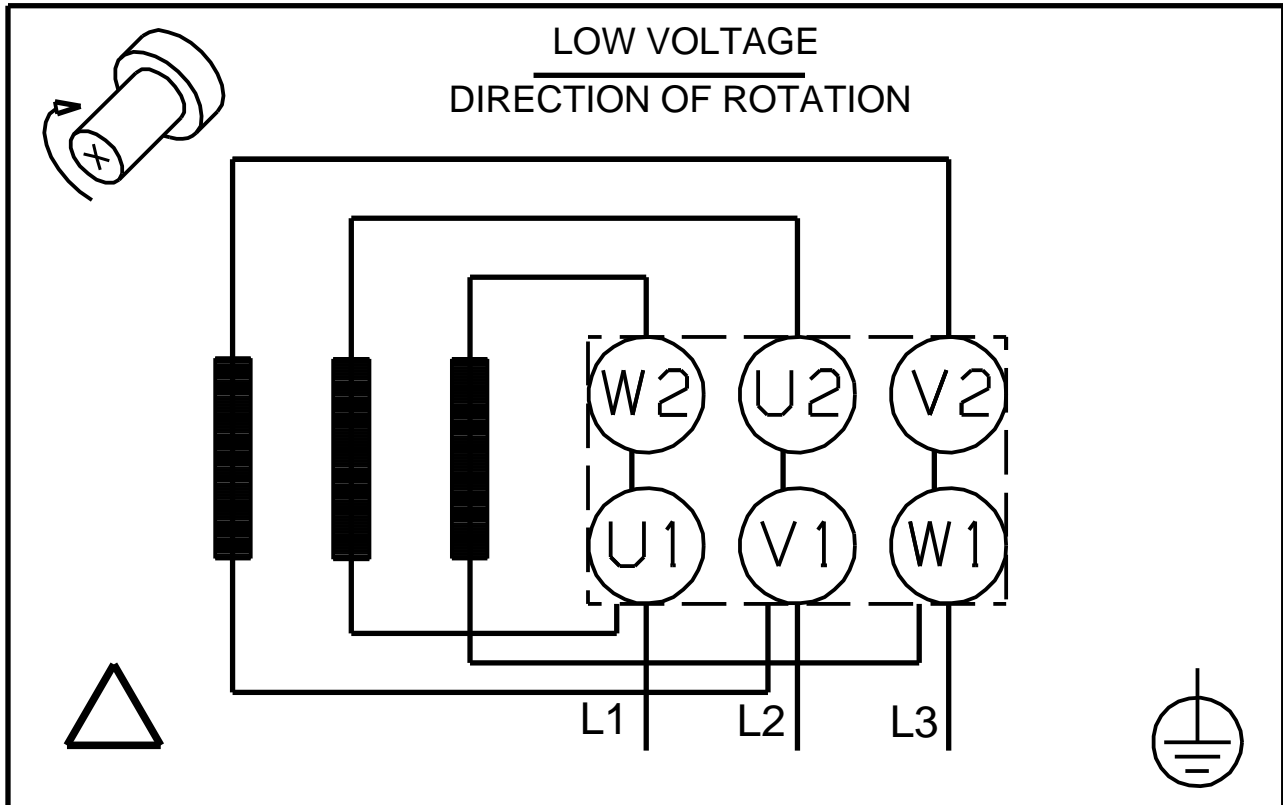


Count	Description
1	<p data-bbox="225 342 414 365">BALDOR 254TC</p>  <p data-bbox="619 772 1072 795">Product photo could vary from the actual product</p> <p data-bbox="225 801 491 824">Product No.: 84Z03971</p> <p data-bbox="225 831 703 853">The motor is a 3-phase AC standard motor.</p> <p data-bbox="225 891 368 913">Installation:</p> <p data-bbox="225 920 727 943">Range of ambient temperature: -22 .. 104 °F</p> <p data-bbox="225 949 667 972">Flange size for motor: 254TC</p> <p data-bbox="225 1010 405 1032">Electrical data:</p> <p data-bbox="225 1039 826 1424">Motor type: BALDOR IE Efficiency class: IE3 / NEMA Premium Rated power - P2: 20 HP Main frequency: 60 Hz Rated voltage: 3 x 208-230/460 V Service factor: 1.15 Rated current: 48-44/22 A Rated speed: 3540 rpm IE efficiency: IE3 92.4% Motor efficiency at full load: 92.4-92.4 % Number of poles: 2 Enclosure class (IEC 34-5): IP54 Insulation class (IEC 85): F</p> <p data-bbox="225 1458 320 1480">Others:</p> <p data-bbox="225 1487 673 1547">Net weight: 302 lb Color/Type: BLACK</p>

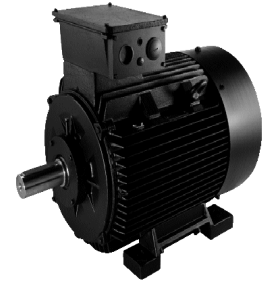
Description	Value
General information:	
Product name:	BALDOR 254TC
Product No.:	84Z03971
EAN:	5700398688938
	5700398688938
Technical:	
Shaft diameter:	1.63 in
Length of shaft end:	3.75 in
Cooling:	TEFC
Installation:	
Range of ambient temperature:	-22 .. 104 °F
Flange size for motor:	254TC
Electrical data:	
Motor type:	BALDOR
IE Efficiency class:	IE3 / NEMA Premium
Rated power - P2:	20 HP
Main frequency:	60 Hz
Rated voltage:	3 x 208-230/460 V
Service factor:	1.15
Rated current:	48-44/22 A
Load current:	56-50/25 A
Rated speed:	3540 rpm
IE efficiency:	IE3 92.4%
Motor efficiency at full load:	92.4-92.4 %
Number of poles:	2
Enclosure class (IEC 34-5):	IP54
Insulation class (IEC 85):	F
Motor protection:	NONE
Tropic protec:	NO
Mounting design per IEC 34-7:	NEMA type C
Others:	
Net weight:	302 lb
Color/Type:	BLACK



84Z03971 BALDOR 254TC 60 Hz



All units are [in] unless otherwise presented.



Ordering data

84Z03971 BALDOR 254TC 60 Hz

Product No.: 84Z03971

Company name:

Date:

5/29/2020

Created by:

Phone:

Fax:

Project:

Client number:

Contact:

Reference number:

Electrical data:

Frequency	60 Hz
Rated motor voltage	208-230/460 V
Rated motor power	20 HP
Rated motor speed	3540 rpm
Rated motor torque	-
Wiring connection	-
Rated motor current	48-44/22 A
Max motor current	-
Efficiency class	IE3 / NEMA Premium
Full load Efficiency %	92.4-92.4 %
Power factor	-
Starting- / Rated motor current ^(50/60)	/
Breakdown- / Rated motor torque ^(50/60)	/ %
Starting- / Rated motor torque ^(50/60)	/

Mechanical data:

Noise measurements ^(50/60)	-
Moment of inertia	-
Drain holes	Yes (closed)
Bearing DE	7309
Bearing NDE	6208
Bearing arrangement	NDE-locked
Type of bearing DE	-
Bearing seal DE	-
Characteristic of grease DE	-
Type of bearing NDE	-
Bearing seal NDE	-
Characteristic of grease NDE	-
Regreasing device	No
Type of lubrication	-
Relubrication interval	-
Quantity of grease for relubrication	-
External grounding	-
Color/type	BLACK

Explosion protection:

Type of protection	-
--------------------	---

Ambient conditions:

Ambient temperature	-22°F to 104°F
Altitude above sea level	3280 ft
Approvals and specifications	IEC 60034

General data:

Frame size	BALDOR
Type of construction	NEMA type C Flange size 254TC
Weight, without optional accessories	302 lb
Frame material	-
Degree of protection	IP IP54
Method of cooling, TEFC	TEFC
Vibration class	
Insulation class	155(F) to 130(B)
Duty type	-
Direction of rotation	CW /

Terminal box:

Material of terminal box	-
Cable entry	-
Cable gland	-

Protection:

Built-in protection	-
---------------------	---



Company name:

Created by:

Phone:

Date: 5/29/2020

Order Data:

Product name: BALDOR 254TC

Amount: 1

Product No.: 84Z03971

Total: Price on request
