

## RJ45 connector - VS-08-RJ45-5-Q/IP67 - 1656990

Please be informed that the data shown in this PDF Document is generated from our Online Catalog. Please find the complete data in the user's documentation. Our General Terms of Use for Downloads are valid (<http://phoenixcontact.com/download>)




RJ45 connector, degree of protection: IP67, number of positions: 8, CAT5 (IEC 11801:2002), material: PA, connection method: IDC fast connection, connection cross section: AWG 26- 23, cable outlet: straight, color: traffic grey A RAL 7042

### Your advantages

- assembly without special tools
- High-quality and inexpensive solution in the IP protection zone
- UL
- Simple operation
- IP65/67



### Key Commercial Data

|                                      |   |
|--------------------------------------|---|
| Packing unit                         | 1 pc  |
| GTIN                                 | <br>4 046356 081399 |
| GTIN                                 | 4046356081399   |
| Weight per Piece (excluding packing) | 31.600 g  |
| Custom tariff number                 | 85366990  |
| Country of origin                    | Germany   |

### Technical data

#### Mechanical characteristics

|                             |                     |
|-----------------------------|---------------------|
| Number of positions         | 8                   |
| Connection profile          | RJ45                |
| Shielded                    | yes                 |
| Insertion/withdrawal cycles | ≥ 1000              |
| Connection method           | IDC fast connection |

## RJ45 connector - VS-08-RJ45-5-Q/IP67 - 1656990

### Technical data

#### Mechanical characteristics

|                              |  |
|------------------------------|--|
| Conductor cross section      | 0.14 mm <sup>2</sup> ... 0.36 mm <sup>2</sup> (solid)    |
|                              | 0.14 mm <sup>2</sup> ... 0.36 mm <sup>2</sup> (flexible) |
| Connection cross section AWG | 26 ... 23 (solid)  |
|                              | 26 ... 23 (flexible)                                     |
| External cable diameter      | 5 mm ... 8.5 mm  |
| Cable outlet                 | straight   |
| Color                        | traffic grey A RAL 7042                                  |
| Degree of protection         | IP67   |
| Type                         | RJ45, IP67, version 6                                    |
| No. of cable outlets         | 1  |

#### Ambient conditions

|   |                  |
|---|------------------|
| Ambient temperature (operation)         | -20 °C ... 70 °C |
| Ambient temperature (assembly)          | -5 °C ... 55 °C  |
| Ambient temperature (storage/transport) | -40 °C ... 70 °C |

#### Material data

|  |                  |
|--|------------------|
| Flammability rating according to UL 94 | V0               |
| Housing material                       | PA               |
| Contact carrier material               | PC               |
| Contact material                       | Copper alloy     |
| Contact surface material               | Gold over nickel |
| O-ring material                        | FPM              |
| Cable seal material                    | NBR              |
| Material housing intermediate seal     | NBR              |
| Height                                 | 22.8 mm          |

#### Electrical characteristics

|   |   |
|---|---|
| Number of positions                     | 8   |
| Nominal voltage U <sub>N</sub>          | 48 V  |
| Transmission characteristics (category) | CAT5 (IEC 11801:2002)                       |
| GRP transmission properties             | CAT5 (IEC 11801:2002) CAT5 (IEC 11801:2002) |
| Rated current                           | 1.75 A                                      |
| Overvoltage category                    | I   |
| Degree of pollution                     | 2   |
| Contact resistance                      | 0.001 Ω (Wire – IDC)                        |
|   | 0.005 Ω (Litz wires – IDC)                  |
| Rated voltage (III/3)                   | 72 V (DC)                                   |

# RJ45 connector - VS-08-RJ45-5-Q/IP67 - 1656990

## Technical data

### Standards and Regulations

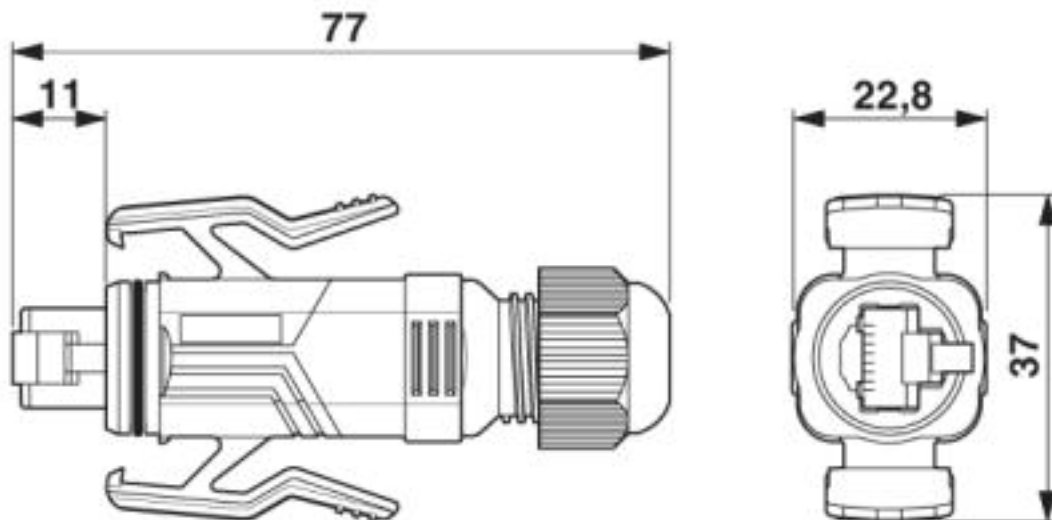
|  |     |
|--|-----|
| Connection in acc. with standard       | CUL |
| Flammability rating according to UL 94 | V0  |

### Environmental Product Compliance

|            |   |
|------------|---|
|            | Lead 7439-92-1  |
| China RoHS | Environmentally Friendly Use Period = 50  |
|            | For details about hazardous substances go to tab "Downloads", Category "Manufacturer's declaration" |

## Drawings

Dimensional drawing



RJ45 connectors, IP67, QUICKON fast connection technology

## Classifications

eCl@ss

|            |          |
|------------|----------|
| eCl@ss 4.0 | 27260700 |
| eCl@ss 4.1 | 27260700 |
| eCl@ss 5.0 | 27260700 |
| eCl@ss 5.1 | 27260700 |
| eCl@ss 6.0 | 27260700 |
| eCl@ss 7.0 | 27440101 |
| eCl@ss 8.0 | 27440101 |

# RJ45 connector - VS-08-RJ45-5-Q/IP67 - 1656990

## Classifications

eCl@ss

|            |          |
|------------|----------|
| eCl@ss 9.0 | 27440101 |
|------------|----------|

## ETIM

|          |          |
|----------|----------|
| ETIM 2.0 | EC000764 |
| ETIM 3.0 | EC001121 |
| ETIM 4.0 | EC001121 |
| ETIM 5.0 | EC002636 |
| ETIM 6.0 | EC002636 |
| ETIM 7.0 | EC002636 |

## UNSPSC

|               |          |
|---------------|----------|
| UNSPSC 6.01   | 31261501 |
| UNSPSC 7.0901 | 31261501 |
| UNSPSC 11     | 31261501 |
| UNSPSC 12.01  | 31261501 |
| UNSPSC 13.2   | 39121409 |

## Approvals


### Approvals

Approvals

UL Recognized / cUL Recognized / EAC / cULus Recognized


Ex Approvals


### Approval details

|                            |   |   |               |
|----------------------------|---|---|---------------|
| UL Recognized              |  | <a href="http://database.ul.com/cgi-bin/XYV/template/LISEXT/1FRAME/index.htm">http://database.ul.com/cgi-bin/XYV/template/LISEXT/1FRAME/index.htm</a> | FILE E 118976 |
| Nominal voltage UN         | 50 V  |   |               |
| Nominal current IN         | 1.75 A  |   |               |
| mm <sup>2</sup> /AWG/kcmil | 22  |   |               |

# RJ45 connector - VS-08-RJ45-5-Q/IP67 - 1656990

## Approvals

|                            |   |   |               |
|----------------------------|---|---|---------------|
| cUL Recognized             |  | <a href="http://database.ul.com/cgi-bin/XYVV/template/LISEXT/1FRAME/index.htm">http://database.ul.com/cgi-bin/XYVV/template/LISEXT/1FRAME/index.htm</a> | FILE E 118976 |
| Nominal voltage UN         |   | 50 V  |               |
| Nominal current IN         |   | 1.75 A  |               |
| mm <sup>2</sup> /AWG/kcmil |   | 22  |               |

|     |   |         |
|-----|---|---------|
| EAC |  | B.01742 |
|-----|---|---------|

|                  |   |
|------------------|---|
| cULus Recognized |  |
|------------------|---|