

RJ45 socket insert - VS-08-BU-RJ45-6-MOD/BU - 1653155

Please be informed that the data shown in this PDF Document is generated from our Online Catalog. Please find the complete data in the user's documentation. Our General Terms of Use for Downloads are valid (<http://phoenixcontact.com/download>)




RJ45 socket insert, degree of protection: IP20, number of positions: 8, 1 Gbps, CAT6, material: Zinc die-cast, connection method: 2x RJ45, Keystone

Your advantages

- ✓ Assembly without special tools
- ✓ Can be integrated directly into the housing panel



Key Commercial Data

Packing unit	1 pc
Minimum order quantity	5 pc
GTIN	 4 017918 970079
GTIN	4017918970079
Weight per Piece (excluding packing)	9.150 g
Custom tariff number	85366990
Country of origin	China

Technical data

Mechanical characteristics

Number of positions	8
Number of slots	2
Shielded	yes
Insertion/withdrawal cycles	≥ 750
Connection method	2x RJ45
Mounting type	Snap-in hook system
Insulation resistance	min. 500 MΩ

RJ45 socket insert - VS-08-BU-RJ45-6-MOD/BU - 1653155

Technical data

Mechanical characteristics

Degree of protection	IP20
Type	RJ45

Ambient conditions

Ambient temperature (operation)	-10 °C ... 60 °C
Ambient temperature (storage/transport)	-40 °C ... 70 °C

Material data

Flammability rating according to UL 94	V0
Housing material	Zinc die-cast
Contact carrier material	ABS
Contact material	Phosphor bronze
Contact surface material	Gold over nickel
Height	20 mm

Electrical characteristics

Number of positions	8
Transmission characteristics (category)	CAT6 Link
GRP transmission properties	CAT6 CAT6 Link
Transmission speed	1 Gbps
Rated current	1.5 A
Degree of pollution	2
Contact resistance	max. 20 mΩ
Rated voltage (III/3)	72 V (DC)

Standards and Regulations

Flammability rating according to UL 94	V0
--	----

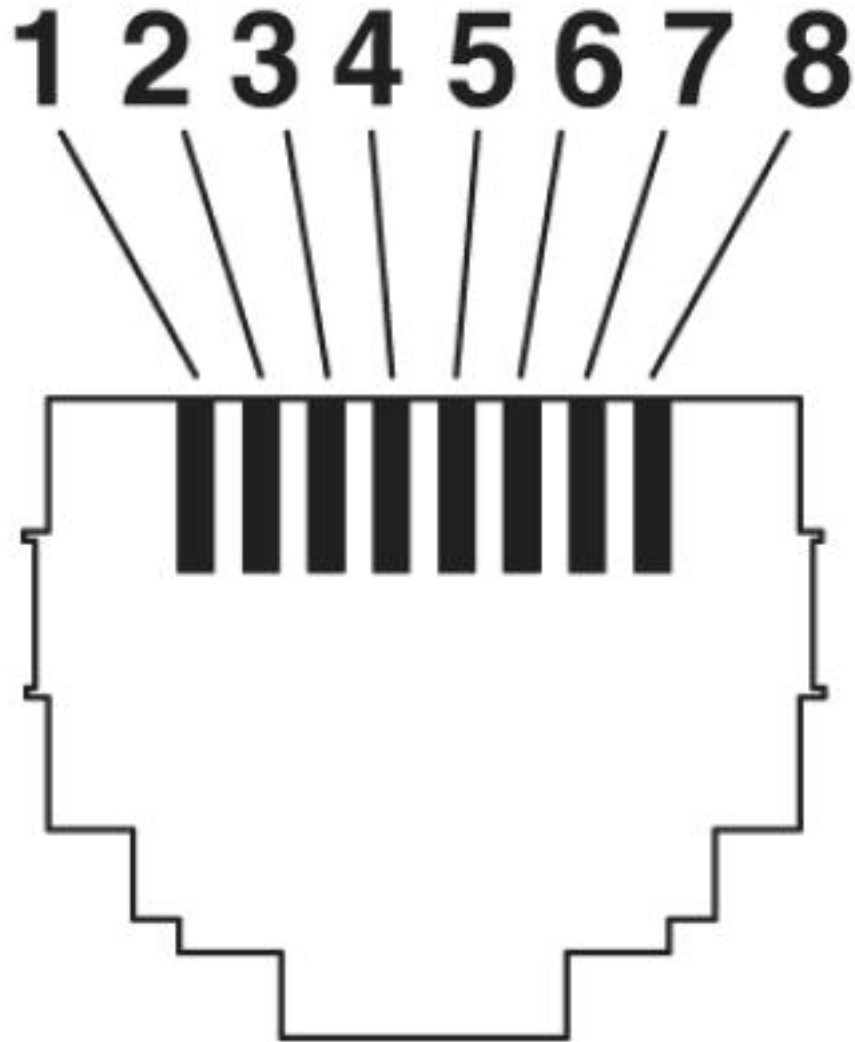
Environmental Product Compliance

China RoHS	Environmentally friendly use period: unlimited = EFUP-e
	No hazardous substances above threshold values

Drawings

RJ45 socket insert - VS-08-BU-RJ45-6-MOD/BU - 1653155

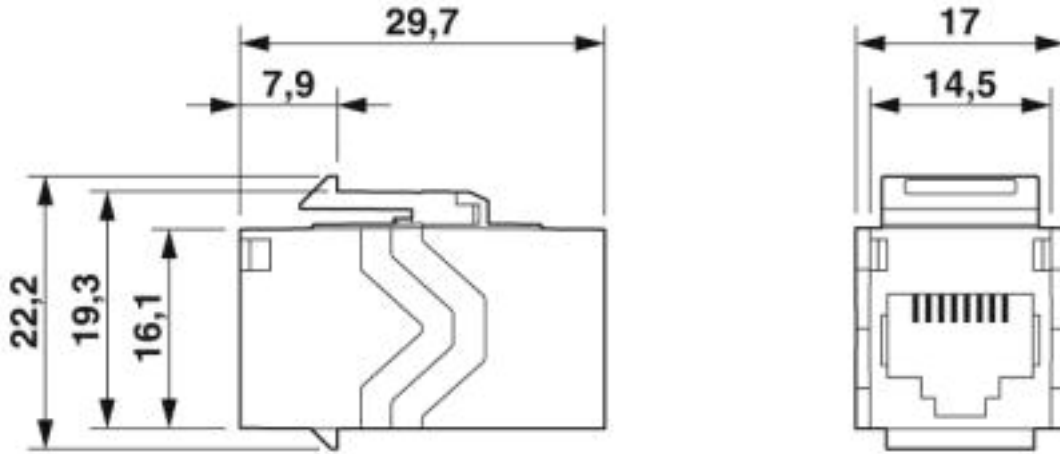
Schematic diagram



Pin assignment of the ports

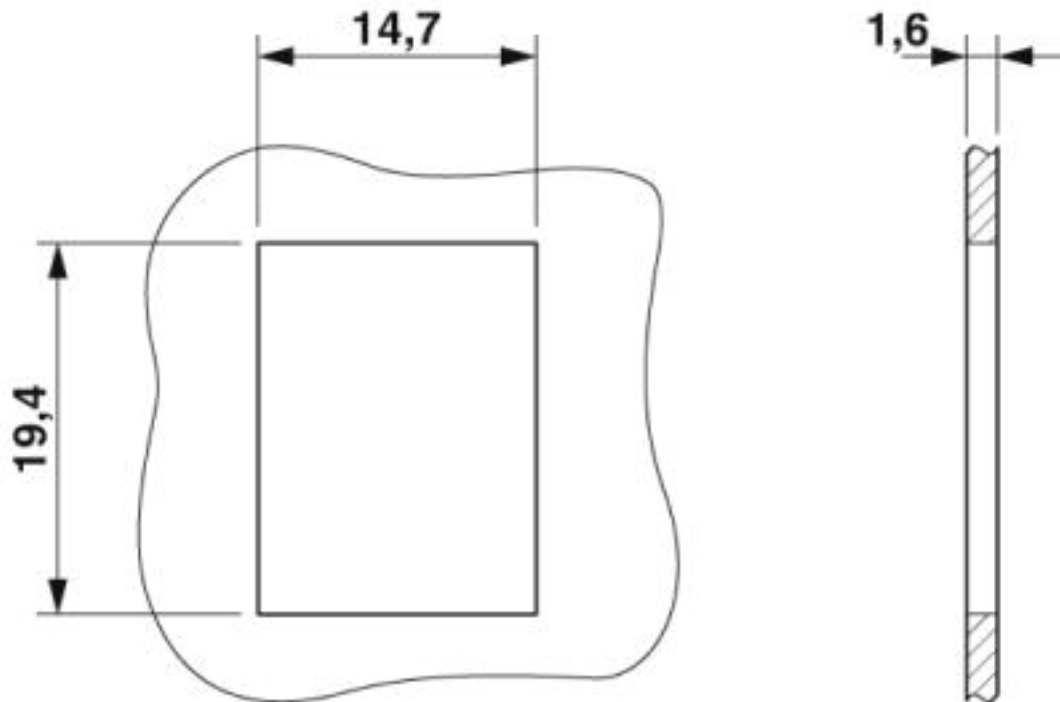
RJ45 socket insert - VS-08-BU-RJ45-6-MOD/BU - 1653155

Dimensional drawing



RJ45 socket insert, keystone

Schematic diagram



Panel cutout

RJ45 socket insert - VS-08-BU-RJ45-6-MOD/BU - 1653155

Classifications

eCl@ss

eCl@ss 4.0	27260700
eCl@ss 4.1	27260700
eCl@ss 5.0	27260700
eCl@ss 5.1	27261200
eCl@ss 6.0	27261200
eCl@ss 7.0	27440205
eCl@ss 8.0	27440205
eCl@ss 9.0	27440205

ETIM

ETIM 2.0	EC000438
ETIM 3.0	EC000438
ETIM 4.0	EC000438
ETIM 5.0	EC000438
ETIM 6.0	EC000438
ETIM 7.0	EC000438

UNSPSC

UNSPSC 6.01	30211923
UNSPSC 7.0901	39121522
UNSPSC 11	39121522
UNSPSC 12.01	39121522
UNSPSC 13.2	39121522

Approvals

Approvals

Approvals

EAC

Ex Approvals

Approval details

RJ45 socket insert - VS-08-BU-RJ45-6-MOD/BU - 1653155

Approvals

EAC



B.01742