


Protective covers - VS-08-SD-F - 1652606

Please be informed that the data shown in this PDF Document is generated from our Online Catalog. Please find the complete data in the user's documentation. Our General Terms of Use for Downloads are valid (<http://phoenixcontact.com/download>)

Protective cover, IP67, flat design, to cover the contact insert in the panel mounting frame, color: gray



Key Commercial Data

Packing unit	1 pc
Minimum order quantity	5 pc
GTIN	 4 017918 953034
GTIN	4017918953034
Weight per Piece (excluding packing)	3.640 g
Custom tariff number	39235090
Country of origin	Germany

Technical data

Mechanical characteristics

Connection profile	RJ45
Locking type	without
Color	gray
Degree of protection	IP67

Ambient conditions

Ambient temperature (operation)	-40 °C ... 80 °C
Ambient temperature (assembly)	-5 °C ... 55 °C
Ambient temperature (storage/transport)	-40 °C ... 70 °C

Material data

Protective covers - VS-08-SD-F - 1652606

Technical data

Material data

Flammability rating according to UL 94	V0
Housing material	PA
Material	Plastic
Sealing material	EDPM, self-greasing
Seal material	EDPM, self-greasing
Height	10 mm

Standards and Regulations

Flammability rating according to UL 94	V0
--	----

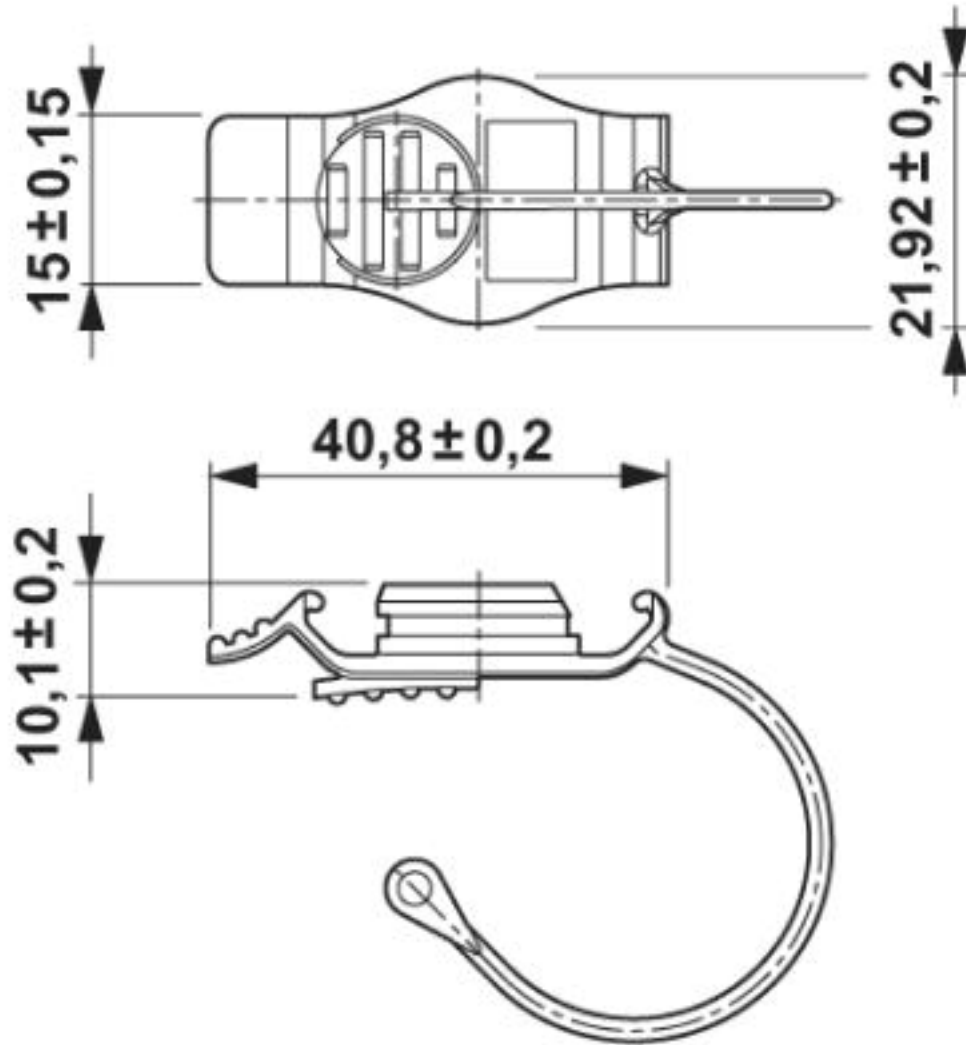
Environmental Product Compliance

China RoHS	Environmentally friendly use period: unlimited = EFUP-e
	No hazardous substances above threshold values

Drawings

Protective covers - VS-08-SD-F - 1652606

Dimensional drawing



Protective cover, IP67

Classifications

eCl@ss

eCl@ss 4.0	27141200
eCl@ss 4.1	27141200
eCl@ss 5.0	27149100
eCl@ss 5.1	27149100
eCl@ss 6.0	27261200

Protective covers - VS-08-SD-F - 1652606

Classifications

eCl@ss

eCl@ss 7.0	27440208
eCl@ss 8.0	27440208
eCl@ss 9.0	27440208

ETIM

ETIM 2.0	EC000241
ETIM 3.0	EC002040
ETIM 4.0	EC002314
ETIM 5.0	EC002314
ETIM 6.0	EC002314
ETIM 7.0	EC002314

UNSPSC

UNSPSC 6.01	30212113
UNSPSC 7.0901	39121712
UNSPSC 11	39121712
UNSPSC 12.01	39121712
UNSPSC 13.2	39121421

Approvals


Approvals

Approvals

EAC

Ex Approvals

Approval details

EAC		B.01742
-----	---	---------
