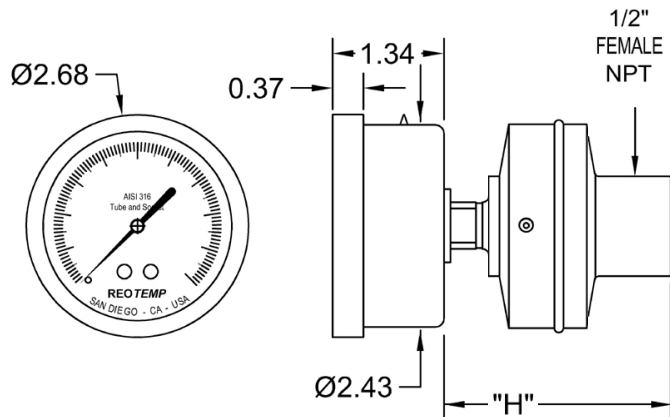


MS8 Seal - Pressure Gauge Assembly

Part #: MS8P2CF2XP21-SDDDASXDP



| Gauge Data: | | | |
|-----------------|--|------------------|------------|
| Gauge Type: | 2.5" Dial, 304SS case, Center Back Mount | | |
| Pressure Range: | 0 - 300 psi | | |
| Case Material: | 304SS | Gauge Internals: | 316SS |
| Lens Material: | Clear Plastic | Case Fill: | None (Dry) |

| Operating Limits: | | | | min | max |
|---|---------|---------------|----------|-------|-----|
| Max Working Pressure: | 300 psi | Ambient Temp: | -40°F | 150°F | |
| Proof Pressure at 70°F: | 390 psi | Process Temp: | -40°F | 400°F | |
| Max. Process Fluid Containment Pressure @ 70°F: | | | 3000 psi | | |

| Seal Data: | | | |
|---------------------------|-------------------------------|---------------------|---------|
| Seal-to-Process Conn: | 1/2" NPT female | Wetted material: | 316L SS |
| Seal Fill Fluid: | Silicone DC200® | Diaphragm diameter: | 2.2 in. |
| Seal-to-Gauge Connection: | Direct mount | | |
| Flushing Connection: | None | | |
| Gasket Material: | None; all-welded construction | | |

| Drawing Dimensions: | |
|---------------------|---------|
| Height "H": | 2.8 in. |

| | | | | | |
|--------------------|------------|-----------|----|-------------|----------|
| Data generated on: | 11/10/2020 | Revision: | x1 | Rev. Date*: | 6/1/2013 |
|--------------------|------------|-----------|----|-------------|----------|

*Revision date applies to all possible data: Individual drawings may not be affected. To obtain current revision, re-generate drawing at www.reotemp.com.

Made in U.S.A.

Options and Accessories: (Options are not depicted in drawing)

| | | | |
|--|--|---|-----------------------------------|
| File Control MS8G-P2C MS8U-DDDC MS8L-XC MS8P-F2C | Consult factory for critical dimensions. | REOTEMP Instrument Corporation 10656 Roselle Street San Diego, CA 92121 USA Phone: (658) 784-0710 Fax: (658) 784-0720 | DRAWN BY: JR |
| | Copyright 2013 REOTEMP Instruments | REOTEMP INSTRUMENTS | SIZE: B CAGE CODE: 24793 |
| THIS DRAWING AND SPECIFICATIONS ARE THE PROPERTY OF REOTEMP INSTRUMENT CORP., AND ARE ISSUED IN STRICT CONFIDENCE AND SHALL NOT BE REPRODUCED, COPIED OR USED AS THE BASIS FOR MANUFACTURE OR SALE OF ITEMS DEPICTED HEREIN WITHOUT WRITTEN PERMISSION FROM REOTEMP INSTRUMENT CORP. | | | SCALE: NTS SHEET: 1 OF 1 |

Notes: Dimensions are in inches (unless otherwise noted) visit www.reotemp.com for attribution of trademarks.