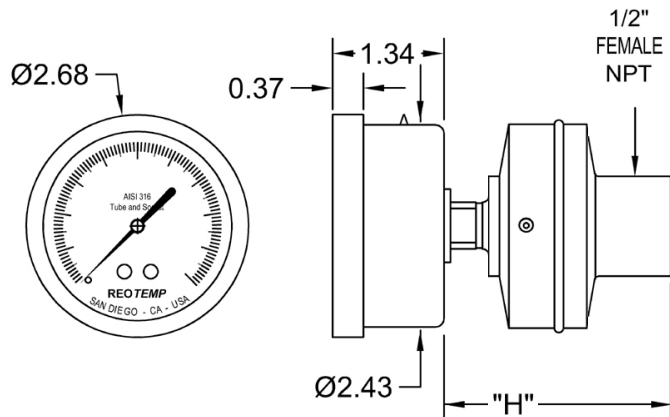


# MS8 Seal - Pressure Gauge Assembly

Part #: MS8P2CF2XP20-SDDDASXDP



Gauge Data:			
Gauge Type:	2.5" Dial, 304SS case, Center Back Mount		
Pressure Range:	0 - 200 psi		
Case Material:	304SS	Gauge Internals:	316SS
Lens Material:	Clear Plastic	Case Fill:	None (Dry)

Operating Limits:				min	max
Max Working Pressure:	200 psi	Ambient Temp:	-40°F	150°F	
Proof Pressure at 70°F:	260 psi	Process Temp:	-40°F	400°F	
Max. Process Fluid Containment Pressure @ 70°F:			3000 psi		

Seal Data:			
Seal-to-Process Conn:	1/2" NPT female	Wetted material:	316L SS
Seal Fill Fluid:	Silicone DC200®	Diaphragm diameter:	2.2 in.
Seal-to-Gauge Connection:	Direct mount		
Flushing Connection:	None		
Gasket Material:	None; all-welded construction		

Drawing Dimensions:	
Height "H":	2.8 in.

Data generated on:	11/10/2020	Revision:	x1	Rev. Date*:	6/1/2013
--------------------	------------	-----------	----	-------------	----------

\*Revision date applies to all possible data: Individual drawings may not be affected. To obtain current revision, re-generate drawing at [www.reotemp.com](http://www.reotemp.com).

Options and Accessories: (Options are not depicted in drawing)

Made in U.S.A.

File Control MS8G-P2C MS8U-DDDC MS8L-XC MS8P-F2C	Consult factory for critical dimensions.	REOTEMP Instrument Corporation 10656 Roselle Street San Diego, CA 92121 USA Phone: (658) 784-0710 Fax: (658) 784-0720	DRAWN BY: JR
	Copyright 2013 REOTEMP Instruments	<b>REOTEMP</b> INSTRUMENTS	SIZE: B
THIS DRAWING AND SPECIFICATIONS ARE THE PROPERTY OF REOTEMP INSTRUMENT CORP., AND ARE ISSUED IN STRICT CONFIDENCE AND SHALL NOT BE REPRODUCED, COPIED OR USED AS THE BASIS FOR MANUFACTURE OR SALE OF ITEMS DEPICTED HEREIN WITHOUT WRITTEN PERMISSION FROM REOTEMP INSTRUMENT CORP.			CAGE CODE: 24793
			SCALE: NTS
			SHEET: 1 OF 1

Notes: Dimensions are in inches (unless otherwise noted) visit [www.reotemp.com](http://www.reotemp.com) for attribution of trademarks.