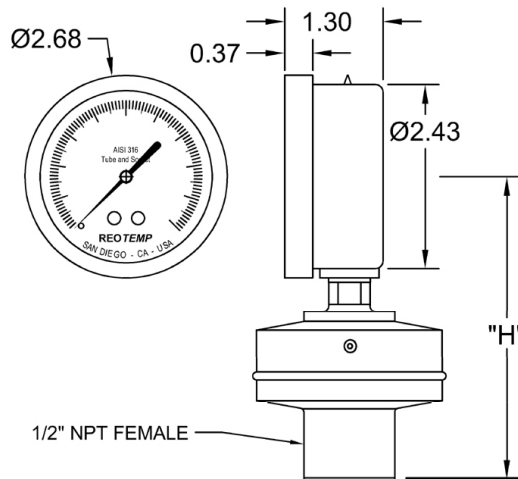


# MS8 Seal - Pressure Gauge Assembly



<b>Part #:</b>	MS8P2AF2XP18-SDDDASXDP
----------------	------------------------

<b>Gauge Data:</b>	
<i>Gauge Type:</i>	2.5" Dial, 304SS case, Bottom Mount
<i>Pressure Range:</i>	0 - 100 psi
<i>Case Material:</i>	304SS
<i>Gauge Internals:</i>	316SS
<i>Lens Material:</i>	Clear Plastic
<i>Case Fill:</i>	None (Dry)

<b>Seal Data:</b>	
<i>Seal-to-Process Conn:</i>	1/2" NPT female
<i>Seal-to-Gauge Connection:</i>	Direct mount
<i>Wetted material:</i>	316L SS
<i>Diaphragm diameter:</i>	2.2 in.
<i>Seal Fill Fluid:</i>	Silicone DC200®
<i>Flushing Connection:</i>	None
<i>Gasket Material:</i>	None; all-welded construction

<b>Options and Accessories:</b>	(Options are not depicted in drawing)
---------------------------------	---------------------------------------

<b>Operating Limits:</b>	min	max
<i>Ambient Temp:</i>	-40°F	150°F
<i>Process Temp:</i>	-40°F	400°F
<i>Max Working Pressure:</i>	100 psi	
<i>Proof Pressure at 70°F:</i>	130 psi	
<i>Max. Process Fluid Containment Pressure @ 70°F:</i>	3000 psi	

<b>Drawing Dimensions:</b>	
<i>Height "H":</i>	4 in.

<b>Data generated on:</b>	11/10/2020	<b>Revision:</b>	x1	<b>Rev. Date*:</b>	6/1/2013
---------------------------	------------	------------------	----	--------------------	----------

\*Revision date applies to all possible data: Individual drawings may not be affected. To obtain current revision, re-generate drawing at [www.reotemp.com](http://www.reotemp.com).

Made in U.S.A.

File Control  
MS8G-P2A  
MS8U-DDDA  
MS8L-XA  
MS8P-F2A

Consult factory for critical dimensions.	REOTEMP Instrument Corporation 10656 Roselle Street San Diego, CA 92121 USA Phone: (858) 784-0710 Fax: (858) 784-0720	DRAWN BY: JR
Copyright 2013 REOTEMP Instruments	<b>REOTEMP</b> INSTRUMENTS	SIZE: B
THIS DRAWING AND SPECIFICATIONS ARE THE PROPERTY OF REOTEMP INSTRUMENT CORP., AND ARE ISSUED IN STRICT CONFIDENCE AND SHALL NOT BE REPRODUCED, COPIED OR USED AS THE BASIS FOR MANUFACTURE OR SALE OF ITEMS DEPICTED HEREIN WITHOUT WRITTEN PERMISSION FROM REOTEMP INSTRUMENT CORP.		CAGE CODE: 24793
		SCALE: NTS
		SHEET: 1 OF 1

Notes: Dimensions are in inches (unless otherwise noted) visit [www.reotemp.com](http://www.reotemp.com) for attribution of trademarks.