



### Features

- 8-channel Power Relay Output
- Form A Power Relay Output
- Configurable Power-on Value
- Configurable Safe Value
- 4 kV ESD Protection
- 3000 VDC Intra-module Isolation
- Wide Operating Temperature Range: -25 to +75 °C

### Introduction

The I-9064 module provides 8 Form A Relay Output channels, and is an ideal solution for high-power applications. The I-9064 includes 8 LED indicators that can be used to monitor the status of the Relay Output channels, and options are available for configuring power-on and safe values. 4 kV ESD protection and 3000 VDC intra-module isolation are also provided to enhance the noise protection capabilities of the module in harsh industrial environments.

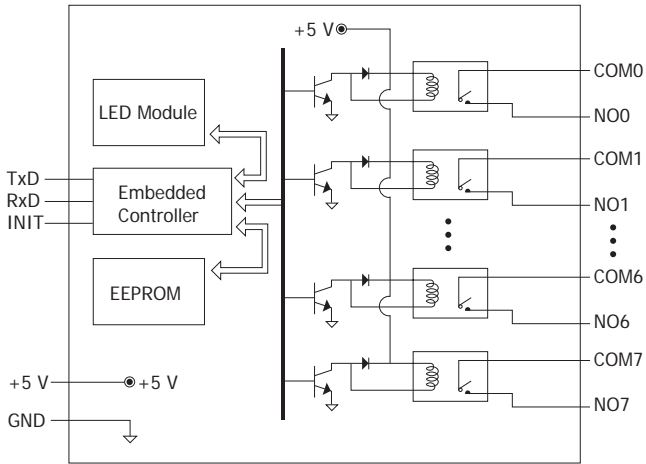
### System Specifications

Model	I-9064
<b>LED Display</b>	
System LED Indicators	1 LED as Power Indicator
I/O LED Indicator	8 LEDs as Power Relay Status Indicators
<b>Isolation</b>	
Intra-module Isolation, Field to logic	3000 VDC
<b>EMS Protection</b>	
ESD(IEC 61000-4-2)	±4 kV Contact for Each Terminal
	±8 kV Air for Random Point
<b>Power</b>	
Power Consumption	1 W Max.
<b>Mechanical</b>	
Dimensions (L × W × H)	144 mm × 31 mm × 134 mm
<b>Environment</b>	
Operating Temperature	-25 ~ +75°C
Storage Temperature	-40 ~ +85°C
Humidity	10 ~ 90% RH, Non-condensing

### I/O Specifications

Model	I-9064
<b>Relay Output</b>	
Channels	8 (Form A)
Type	Power Relay
Contact Rating	5A @ 250 VAC (Resistive Load)
	5A @ 30 VDC (Resistive Load)
Min. Contact Load	10mA @ 5 VDC
Contact Material	Gold-plated Silver Cadmium Alloy
Operate Time	6 mS (Max.)
Release Time	3 mS (Max.)
Mechanical Endurance	2 × 10 <sup>7</sup> ops.
Electrical Endurance	1 × 10 <sup>5</sup> ops.
Power-on Value	Yes
Safe Value	Yes

### Internal I/O Structure

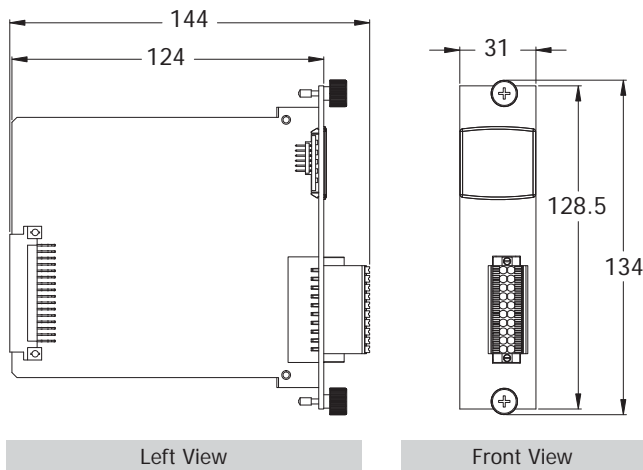


### Pin Assignments

Pin Assignment	Terminal No.	Pin Assignment
NO0	01	17 NO0
COM0	02	18 COM0
NO1	03	19 NO1
COM1	04	20 COM1
NO2	05	21 NO2
COM2	06	22 COM2
NO3	07	23 NO3
COM3	08	24 COM3
NO4	09	25 NO4
COM4	10	26 COM4
NO5	11	27 NO5
COM5	12	28 COM5
NO6	13	29 NO6
COM6	14	30 COM6
NO7	15	31 NO7
COM7	16	32 COM7

32-pin Connector

### Dimensions (Units: mm)



### Wire Connections

Output Type	ON State Readback as 1	OFF State Readback as 0
Relay Output		

### Ordering Information

I-9064 CR	8-channel Power Relay Output Module (RoHS)
-----------	--