

eBOX630-528-FL NEW

Fanless Embedded System with 8th Gen Intel® Core™ i7/i5/i3 & Celeron® ULT Processor, 2 HDMI, 1 VGA, 3 GbE LAN, 6 USB, Dual PCI Express Mini Card Slots and 9 to 36 VDC

Features

- 8th gen Intel® Core™ i7/i5/i3 & Celeron® ULT processor (Whiskey Lake-U)
- Dual Channel DDR4 2400 SO-DIMM up to 32GB memory
- Supports 2 HDMI, VGA, 3 GbE LAN, 4 COM and 6 USB
- Trusted platform module (TPM 2.0 onboard)
- Fanless -40°C to +70°C* operating temperature
- 9 to 36 VDC wide range DC power input
- AMS.AXView intelligent remote monitoring software supported

* -40°C to +70°C operating temp. at 0.7 m/s air flow



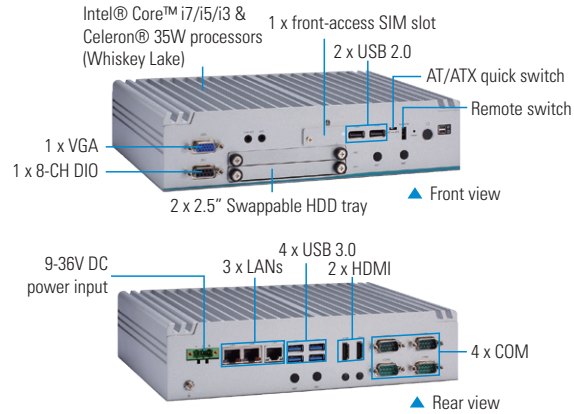
Specifications

Standard Color	Silver
Construction	Aluminum extrusion and heavy-duty steel, IP40
CPU	Intel® Core™ i7-8665UE/i5-8365UE/i3-8145UE & Celeron® 4305UE (TDP up to 15W)
System Memory	2 x 260-pin DDR4-2400 SO-DIMM, up to 32GB
Chipset	SoC integrated
BIOS	AMI
System I/O Outlet	2 x RS-232/422/485 (COM1/2) 2 x RS-232 (COM3/4) 2 x HDMI (lockable) 1 x VGA 3 x 10/100/100 Mbps Ethernet (1 x i219LM, 2 x i211AT) 2 x USB 3.2 Gen2 2 x USB 3.2 Gen1 2 x USB 2.0 8-CH TTL DIO via DB9 female 1 x Phoenix type VDC power input connector 1 x Audio (Mic-in/Line-out) 1 x ATX power switch 1 x AT/ATX quick switch 1 x Remote power switch 1 x Reset switch 1 x Front-access SIM slot 4 x SMA-type antenna opening
Watchdog Timer	255 levels, 1 to 255 sec.
Storage	2 x 2.5" Hot swappable HDD drive bay (max. up 9.5 mm height) 1 x mSATA (enabled in BIOS setting)
Expansion Interface	2 x Full-size PCI Express Mini Card Slot A (USB + PCIe signal) Slot B (USB + PCIe + SATA signal)
TPM	TPM 2.0
System Indicator	1 x Green LED for system power-on 1 x Orange LED for HDD/SSD active
Power Input	9 to 36 VDC
Operating Temperature	-40°C to +70°C (-40°F to +158°F) with 0.7 m/s air flow -40°C to +65°C (-40°F to +149°F) with 0.5 m/s air flow (with W.T. DRAM & SSD, CPU TDP 15W)
Humidity	10% - 95%, non-condensing
Shock Vibration	IEC 60068-2-27 (with SSD: 50G, half sine, 11 ms duration)
Vibration Endurance	IEC 60068-2-64 (with SSD: 3Grms STD, random, 5 to 500 Hz, 1 hr/axis)
Dimensions	250 mm (9.84") (W) x 170 mm (6.69") (D) x 60 mm (2.36") (H)
Weight (net/gross)	1.38 kg (3.04 lb)/2.08 kg (4.59 lb)
Certifications	CE, FCC Class A
EOS Support	Win 10 IoT, Linux
Software Support	AMS.AXView

* W.T.: Wide Temperature. All W.T. supported products have to be sorted by Axiomtek.

Updated Sep. 16, 2020.

* All specifications and photos are subject to change without notice.



Packing List

- 1 x Screws pack
- 4 x Foot pad

Power Protection

DC Version

- OVP (over voltage protection)
- UVP (under voltage protection)
- SCP (short current protection)

Ordering Information

Standard

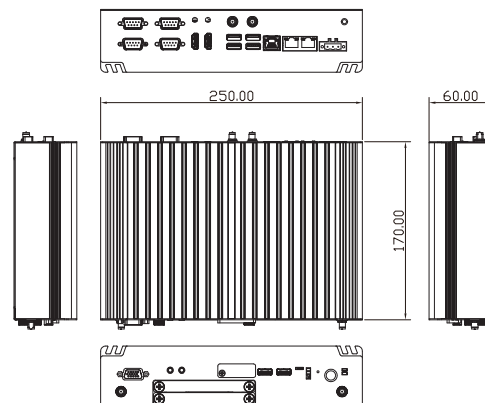
eBOX630-528-FL-8665UE	Fanless embedded system with Intel® i7-8665UE, 2 HDMI, 1 VGA, 3 GbE LAN, 6 USB and 9 to 36 VDC
eBOX630-528-FL-8365UE	Fanless embedded system with Intel® i5-8365UE, 2 HDMI, 1 VGA, 3 GbE LAN, 6 USB and 9 to 36 VDC
eBOX630-528-FL-8145UE	Fanless embedded system with Intel® i3-8145UE, 2 HDMI, 1 VGA, 3 GbE LAN, 6 USB and 9 to 36 VDC
eBOX630-528-FL-4305UE	Fanless embedded system with Intel® Celeron 4305UE, 2 HDMI, 1 VGA, 3 GbE LAN, 6 USB and 9 to 36 VDC

Optional

2.5" SATA HDD	256GB or above
2.5" SATA SSD	100GB or above
DDR4 SO-DIMM	4GB to 32GB
mSATA	64GB or above
	Wall mount kit
	DIN-rail kit
50906D24000E	24V 120W power adapter
	Wi-Fi module
	3G/LTE module

* Specifications and certifications may vary based on different requirements.

Dimensions



www.axiomtek.com

© 2020 Axiomtek Co., Ltd. All rights reserved.