

MEVA-2010 Series

Arestech

Machine Vision Computer with Intel® Atom or Celeron® Processor



Features

- Intel® Celeron® Processor J1900, up to 2.42GHz
- Dual Display Supported by DVI-I and DisplayPort
- 1 x DDR3L 1066/ 1333MHz SO-DIMM. Max up to 8GB
- 2 x Intel i210-AT GbE Ports, Supporting Wake-on-LAN and PXE
- 2 x Full-Size Mini-PCIe, 2x SIM Socket
- 9~48V DC Input with Built-in Ignition Power Control
- -40°C ~ 70°C Wide Temperature Operation

Applications

- Factory Automation
- Machine Vision
- Quality Inspection
- Motion Control
- Digital Surveillance

➔ Ordering Information

Part No.	Description
MEVA-2010	Intel® J1900 Compact Fanless Box PC, 1x USB3.2 Gen1, 4x USB2.0, 6x RS232/422/485, 2x GbE, 1x DP, 1x DVI-I, 2x Flexible I/O Window Slots, 1x Removable 2.5" SATA HDD Bay, 1x Internal 2.5" SATA HDD Bay, Line Out, Mic In, DC 9~48V, Terminal Block Connector
MEVA-2012E	Intel® J1900 Compact Fanless Box PC, 1x USB3.2 Gen1, 4x USB2.0, 6x RS232/422/485, 2x GbE, 1x DP, 1x DVI-I, 2x Flexible I/O Window Slots, 2x PCI Express X4 Slots (1-Lane), 1x Removable 2.5" SATA HDD Bay, 1x Internal 2.5" SATA HDD Bay, Line Out, Mic In, DC 9~48V, Terminal Block Connector
MEVA-2012P	Intel® J1900 Compact Fanless Box PC, 1x USB3.2 Gen1, 4x USB2.0, 6x RS232/422/485, 2x GbE, 1x DP, 1x DVI-I, 2x Flexible I/O Window Slots, 2x PCI Slots, 1x Removable 2.5" SATA HDD Bay, 1x Internal 2.5" SATA HDD Bay, Line Out, Mic In, DC 9~48V, Terminal Block Connector

→ Packing List

Description
1 x MEVA-2010 Series Machine
1 x DVI to VGA Adapter
1 x Wall Mount Kit

→ Optional Items

Part No.	Description
AWD-4G003	4G(LTE) EG25-G + 2 Antennas, Full Size (for Global)
AWD-4G004	4G(LTE) EC25EFA + 2 Antennas, Full Size (for Europe/Taiwan/China/Hong Kong)
AWD-WF001	Wi-Fi 802.11 b/g/n (1T1R) + 1 Antenna, Half Size
AWD-WF003	Wi-Fi 802.11 a/b/g/n/ac/BT4.0 (2T2R) + 2 Antennas (Dual Band), Half Size
55000-0025-M5	Adapter AC/DC 12V 5A 60W with 3-pin Terminal Block Plug 5.0mm Pitch
55000-0023-M5	Adapter AC/DC 24V 5A 120W with 3-pin Terminal Block Plug 5.0mm Pitch
30100-0003-CA	Power Cord, 3-pin US Type, 180 cm
30101-0005-CA	Power Cord, 3-pin EU Type, 180 cm

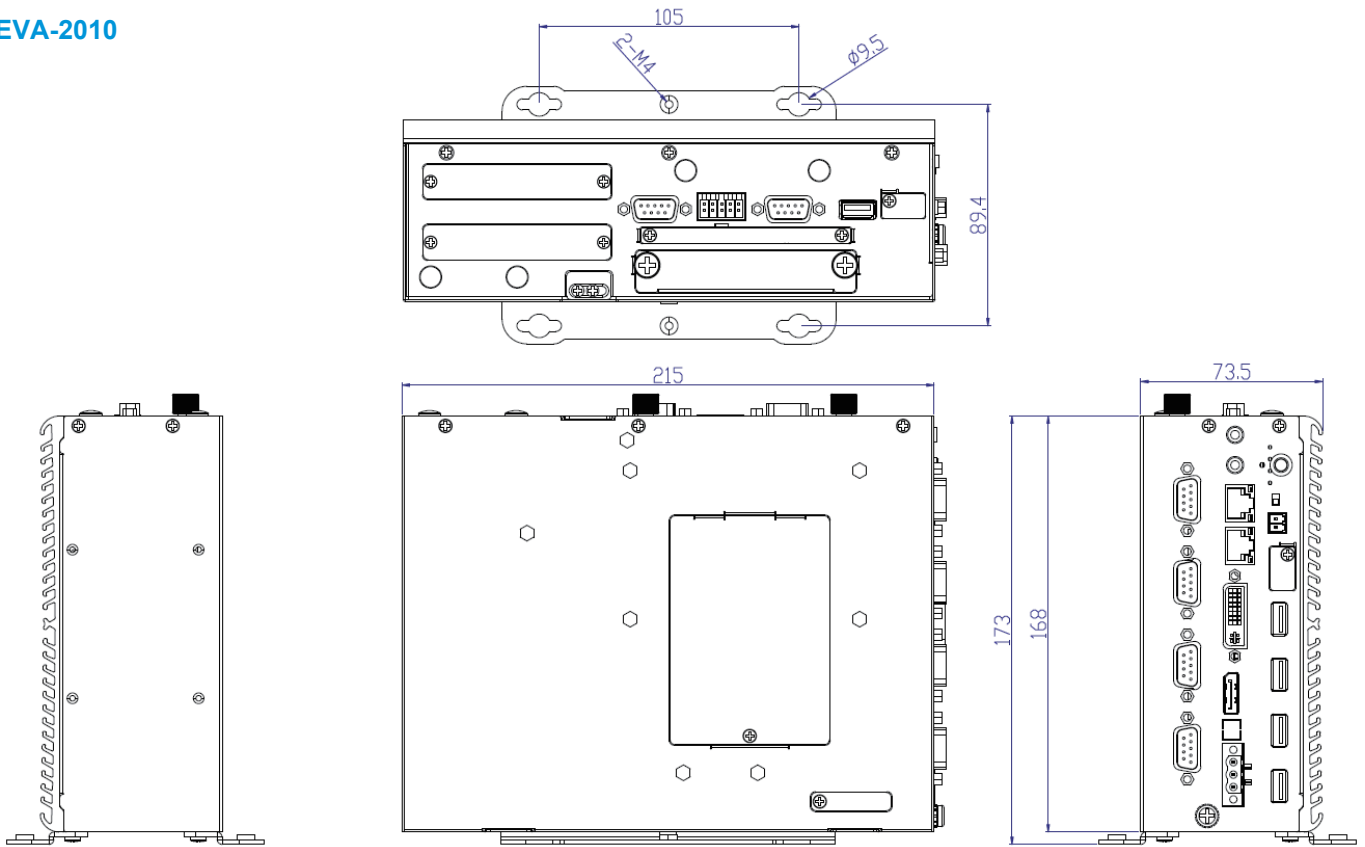
→ Specifications

Model		MEVA-2010	MEVA-2012E/P	
Processor System	CPU	Intel® Celeron® Processor J1900		
	System Chipset	N/A		
	BIOS	AMI BIOS, 64Mbit SPI Flash ROM Built on Board		
Memory	Technology	Single Channel DDR3L 1066/1333 MHz SO-DIMM		
	Max. Capacity	8 GB (Un-buffered and Non-ECC)		
	Socket	1x DDR3L 204-pin SO-DIMM		
Display	Graphics Engine	Integrated Intel® HD Graphics		
	VGA	N/A		
	DVI	1x DVI-I (DVI-D+VGA), up to 1920 x 1200		
	HDMI	N/A		
	Display Port	1x DP, up to 2560 x 1600		
I/O Interface	Multiple Display	Yes		
	USB	1x USB3.0 and 4x USB2.0		
	Serial	6x COM (RS-232/422/485), with Auto Flow Control, DB9		
	GPIO	4x Isolated DI and 4x Isolated DO Port, 10-pin Terminal Block		
	Ethernet	2x GbE (Intel® i210-AT, Supporting Wake-on-LAN and PXE)		
	Audio	Line Out, Mic In		
	CMOS Battery	1x External Clear CMOS Switch		
Expansion	Flexible I/O Window Slot	2		
	Mini-PCIe / M.2 Slot	1x Full-size Mini-PCIe Socket (mux with mSATA) and 1x Full-size Mini-PCIe (USB2.0 Only)		
	SIM Holder	2		
	Antenna Hole	4		
Storage	PCI / PCIe Slot	N/A	2x PCIe X4 Slots (1-lane) (MEVA-2012E) 2x PCI Slots (MEVA-2012P)	
	2.5" HDD/SSD	1x Removable 2.5" SATA HDD Bay and 1x Internal 2.5" SATA HDD Bay		
	RAID	N/A		
	CFast Socket	1x CFast Socket (Shared by 1x SATA and mSATA)		
Power	mSATA / M.2	1x mSATA Socket (Shared by 1 x Mini-PCIe, 1x SATA and CFast)		
	Power Mode	AT / ATX (Supporting Hardware AT, ATX Power Mode)		
	Remote Power	1x Remote Power On/Off Connector, 2-pin Terminal Block		
	Power Supply Voltage	9~48V DC		
	Connector Type	1x 3-pin Terminal Block Connector		
	Power Ignition	Power Ignition Sensing		
Environment	Protection	Over Voltage Protection (OVP) Up to 52V Reverse Voltage Protection (RVP) up to -48V Over Current Protection (OCP) 20A		
	Car Mode	1x PC / Car Mode Switch		
	Mounting	Type Wall Mount / Stand Mount		
	General	Operating Temperature	-40~70° C (-40~158° F)	
		Storage Temperature	-40~85° C (-40~185° F)	
Humidity		5~95% @ 40° C, Non-condensing		
Vibration		5 Grms, 5-500 Hz, 3 Axis		
Shock		50 Grms, Half-sine 11 ms		
General	Certification	CE/FCC		
	Thermal Dissipation	Fanless System		
	Material	Extruded Aluminum with Heavy Duty Metal		
	Dimensions (W x H x D)	73.5 x 168 x 215 mm (2.89" x 6.61" x 8.46")	127 x 168 x 216 mm (5" x 6.61" x 8.5")	
	Net Weight	1.8 kg (3.96 lb)	2.85 kg (6.28 lb)	
Operating System	Windows 10 (IoT / Professional), Linux			

MEVA-2010 Series

→ Dimensions

MEVA-2010



MEVA-2012E / MEVA-2012P

