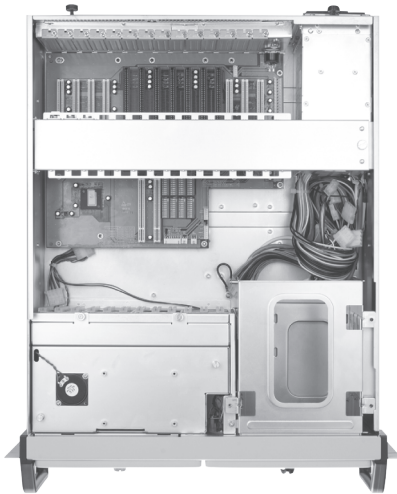


# AX6156LE

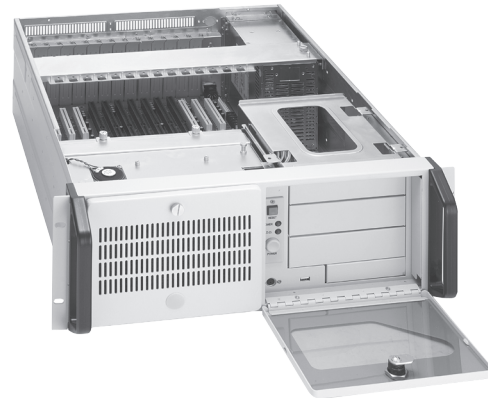
4U 14-slot Rackmount Chassis

## Features

- Three 5.25" and one 3.5" HDD drive bays
- One 12 cm ball-bearing fan (optional two 12 cm fans)
- Supports 14-slot backplane or ATX MB
- Hot-swap redundant power supply supported



▲ Top view



## Specifications

Standard Color	Beige
Construction	Heavy-duty steel
Drive Capacity	Exposed 3 x 5.25" HDD drive bay and 1 x 3.5" HDD drive bay
Cooling	1 x 12 cm ball-bearing fan (88 CFM/each) with a removable filter (optional two fans)Front Panel Indicators 1 x power on/off; 1 x HDD
Front Panel Controls	1 x power on/off; 1 x system reset
Front Panel Connectors	1 x USB, 1x PS/2 5-pin keyboard
Pre-punched Panel	2 x 9-pin; 1 x DIN 5-pin keyboard
System Board	SBCs, ATX MB or IMB series

Expansion Interface	14-slot backplane
Speaker	1 x 0.3W speaker
Operating Temperature	0°C ~ +40°C (+32°F ~ +104°F)
Dimensions	484.7 mm (19") (W) x 537.6 mm (21.2") (D) x 176.7 mm (7") (H)
Weight (net/gross)	18 kg (39.68 lb)/19.5 kg (43 lb)

## Power Supply Specifications

Items	Watt	Input	Specifications	
			Output	MTBF
PS302-XP2	ATX 300W (PFC)	AC100-240V (Auto)	+5V @ 16A	100,000 hours
			+12V1 @ 17A	
RPS400-HRP	ATX 400W HRP (PFC)	AC 90-264V (Auto)	+12V2 @ 17A	100,000 hours
			+3.3V @ 19A	
PS400-XP2	ATX 400W (PFC)	AC 90-264V (Auto)	+5VSB @ 2.5A	100,000 hours
			-12V @ 0.3A	
PS501-HRP	ATX 500W HRP (PFC)	AC 90-264V (Auto)	+5V @ 35A	100,000 hours
			+12V @ 28A	
PS400-XP2	ATX 400W (PFC)	AC 90-264V (Auto)	-5V @ 0.5A	100,000 hours
			-12V @ 1.2A	
PS501-HRP	ATX 500W HRP (PFC)	AC 90-264V (Auto)	+3.3V @ 25A	100,000 hours
			+5VSB @ 2.0A	
PS400-XP2	ATX 400W (PFC)	AC 90-264V (Auto)	+5V @ 25A	100,000 hours
			+12 @ 41A	
PS501-HRP	ATX 500W HRP (PFC)	AC 90-264V (Auto)	-12V @ 0.8A	100,000 hours
			+3.3V @ 25A	
PS501-HRP	ATX 500W HRP (PFC)	AC 90-264V (Auto)	+5VSB @ 3.5A	100,000 hours
			+12 @ 41A	
PS501-HRP	ATX 500W HRP (PFC)	AC 90-264V (Auto)	-12V @ 0.8A	100,000 hours
			+3.3V @ 25A	
PS501-HRP	ATX 500W HRP (PFC)	AC 90-264V (Auto)	+5VSB @ 3.5A	100,000 hours
			+12 @ 41A	

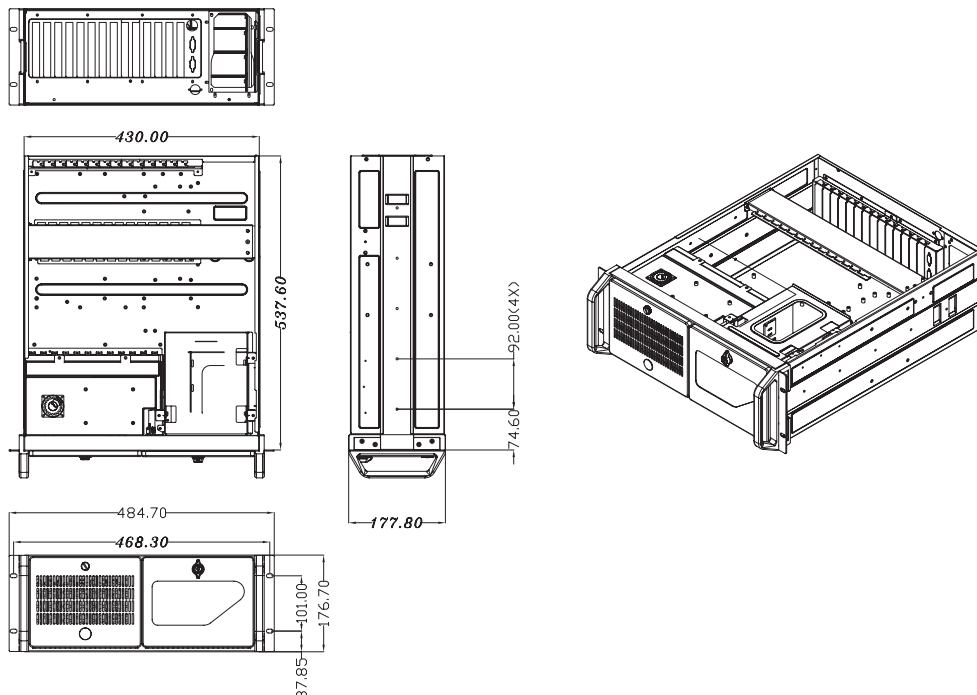
## Ordering Information

AX6156LET(W)B/X300	14-slot version, with ATX 300W power supply
AX6156LET(W)B/X400	14-slot version, with ATX 400W power supply
AX6156LET(W)B/X300R	14-slot version, with ATX 300W redundant power supply
AX6156LET(W)M/X300	MB version, with ATX 300W power supply
AX6156LET(W)M/X400	MB version, with ATX 400W power supply
AX6156LET(W)M/X300R	MB version, with ATX 300W redundant power supply

\*Specifications and certifications are based on options and may vary.

\*\* T-Black color; W-Beige color

## Dimensions



## Backplane Options

### PICMG 1.0

Models	Slots per Segment (ISA/PCI/PCIe/CPU)	Segment
ATX6022/13L	8/4/0/1	Single
ATX6022/14	9/4/0/1	Single
ATX6022/14G	1/12/0/1	Single
ATX6022/14GP7	6/7/0/1	Single

### PICMG 1.3

Models	Slots per Segment (ISA/PCI/PCIe/CPU)	Segment
FAB100	4/4/5/1	Single
FAB101	0/13/0/1	Single
FAB112	0/10/2/1	Single
FAB113	0/4/8/1	Single
FAB114	0/8/4/1	Single
FAB118	0/7/6/1	Single
FAB119	0/10/2/1	Single

## Optional Items

ATX 500W power supply with PFC

ATX 300W redundant power supply with PFC

ATX 500W redundant power supply with PFC