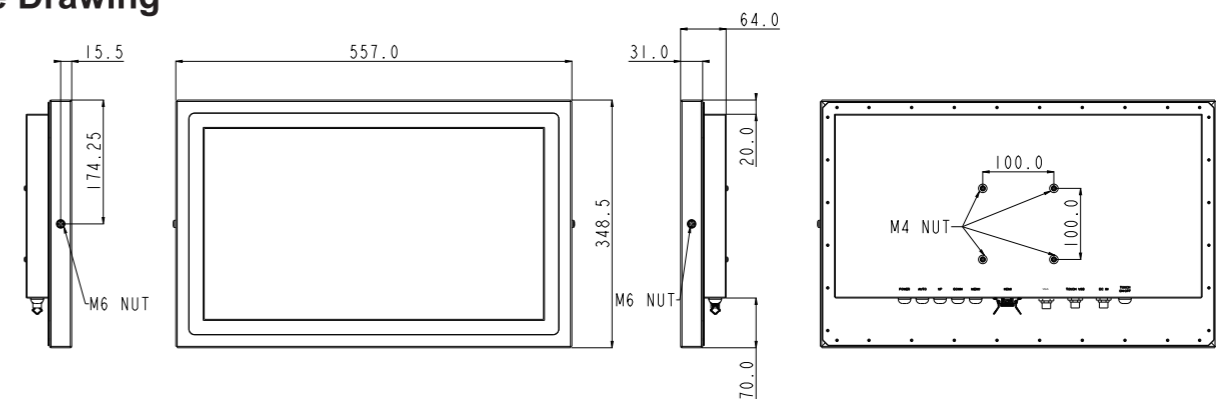




### Key Features

- True Flat Front Bezel and Grade 304
- Stainless Steel Enclosure (Grade 316 for Option).
- IP69K/ IP67 Rated with M12 Connectors.
- Touch on/off Button on Bottom Side for Hygienic Cleaning.
- 5-Wire Resistive Full Flat Touch Screen
- Chassis Type
- 100% Water/ Dust Proof Guarantee
- Downward I/O for Easy Installation and Space Saving
- EMC Class B Applicable

### Outline Drawing



### LCD Panel

<b>Size</b>	21.5" 16:9
<b>Resolution</b>	1920 x 1080 FHD
<b>Color Numbers</b>	16.7M colors
<b>Viewing Angle</b>	170 (H) / 160 (V)
<b>Contrast</b>	1000:1
<b>Brightness</b>	250 nits

### Touch Panel

<b>Type</b>	Resistive touch, 5-wire
<b>Light Transmission</b>	80 ± 5%
<b>Hardness</b>	3H
<b>Life Time</b>	35 M hrs

### I/O & Power & Control Keys

<b>USB</b>	1 x M12 8pin for touch screen
<b>Graphic</b>	1 x for VGA input (M12 connector)
<b>HDMI</b>	1 x HDMI v1.4 input
<b>Power</b>	1 x M12 5pin DC power connector
<b>Power Input</b>	DC-12V
<b>Power Adaptor</b>	AC input 90 ~ 264V/ 47~63Hz/ DC output 12V / 60W, IP67
<b>Control Keys</b>	Touch on/ off x 1(bottom side) Power on/ off x 1(bottom side)

### Mechanical & Environmental

<b>Housing</b>	SUS304 stainless steel enclosure, chassis type
<b>IP Rating</b>	IP66 / NEMA4 IP69K / NEMA6 (Options for IP67)
<b>Cooling</b>	Fanless
<b>Dimensions</b>	557 (W) x 348.5 (H) x 64 (D) ( mm x mm )
<b>Weights(Net)</b>	15.0 kg
<b>Temperature</b>	Operating 0~55°C (IEC60068-2-56, air flow cooling) Storage -30~70°C
<b>Humidity</b>	Operating Humidity 10%~90%, non-condensing Storage Humidity 10%~90%, non-condensing
<b>Mounting</b>	VESA 100 x100 mm x mm site mount (M6*2)
<b>Certification</b>	CE / VCCI / FCC class B

### External OSD Buttons

<b>Menu</b>	OSD on and enter
<b>Down</b>	move down for selecting
<b>Up</b>	move up for selecting
<b>Auto</b>	OSD off, and source change

### Ordering Information

WTD-22-FBN	W/5-wire RES Touch	22"Full Flat Touch IP69K Chassis Stainless Display
------------	--------------------	--

### Options

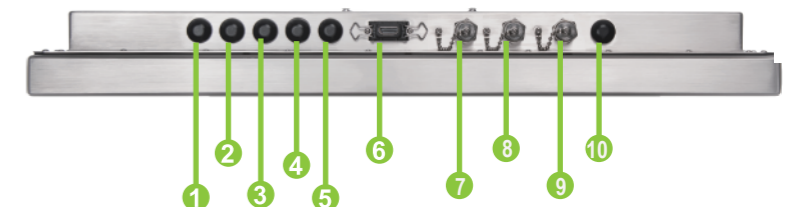
- DC power cable
- wall mount/ table mount bracket
- SUS316 enclosure
- IP67
- full flat PCT touch screen
- DP to HDMI converter

### Customization

- Sunlight readable optical bonding
- 1000 nits high brightness LCD
- HDMI connection w/ WTP series

### Packing List:

- WTD-22 touch display x 1
- DVD -Title for driver and manual x 1
- Power adapter x 1
- Power cord x 1
- VGA input cable / HDMI input cable
- Touch screen cable



- |         |                 |
|---------|-----------------|
| ① Power | ⑥ HDMI          |
| ② Auto  | ⑦ VGA port      |
| ③ Up    | ⑧ USB for touch |
| ④ Down  | ⑨ DC-in         |
| ⑤ Menu  | ⑩ Touch on/off  |

