



WISE-7151

16-channel Isolation Digital Input PoE Module

Digital Input

Features

- Built-in Web Server for IF-THEN-ELSE rule setting
- Built-in IF-THEN-ELSE rule engine for logic operation
- No more programming. Just click and get done!
- Support IO, Counter, Timer, Email operations
- Modbus/TCP Protocol for SCADA Software Seamless Integration
- IEEE 802.3af-compliant Power over Ethernet (PoE)
- 10/100 Base-TX Ethernet
- 2-way Isolation/ESD Protection
- DI Type: 16 Wet Contact (Sink, Source)



Introduction

WISE (Web Inside, Smart Engine) is a product series developed by ICP DAS as control units for use in remote logic control and monitoring in various industrial applications. WISE offers a user-friendly and intuitive web site interface that allows users to implement IF-THEN-ELSE control logic on controllers just a few clicks away; no programming is required. With its powerful and easy-to-use features, it will minimize the learning curve, shorten time to market and dramatically reduce the effort and cost spent on system development.

WISE-7151 follows IEEE 802.3af-compliant (classification, Class 1) Power over Ethernet (PoE) specification. It allows receiving power from PoE enabled network by Ethernet pairs (Category 5 Ethernet cable). This feature provides greater flexibility and higher efficiency therefore simplifying systems design, saving space, reducing cables and eliminating the requirement for dedicated electrical outlets. Meanwhile, in case under a non-PoE environment, WISE-7151 will still be able to receive power from auxiliary power sources like AC adapters or battery, etc.

This module WISE-7151 supports Modbus/TCP protocol to make seamless integration with SCADA software available. It features 16-channel isolated wet contact digital inputs. Each digital input channel supports counter input.

Applications

Building Automation, Factory Automation, Machine Automation, Remote Maintenance, Remote diagnosis and Testing Equipment, etc.

System Specifications

I/O Specifications

Digital Input		
Input Channels	16	
Input Type	Wet Contact (Sink, Source)	
On Voltage Level	+10 V _{DC} ~ +50 V _{DC}	
Off Voltage Level	+4 V _{DC} Max.	
Input Impedance	10 kΩ	
Counters	Max. Count	65535 (16 bits)
	Max. Input Frequency	50 Hz
	Min. Pulse Width	10 ms
Oversvoltage Protection	+70 V _{DC}	

System		
CPU	16-bit CPU	
SRAM	512 KB	
Flash Memory	512 KB	
EEPROM	16 KB	
Dual Watchdog	Yes	
Communication		
PoE Ethernet Port	10/100 Base-TX (With Link, Activity LED Indicator) and automatic MDI/MDI-X	
2-Way Isolation		
Ethernet	1500 V _{DC}	
I/O	DI	3750 V _{rms}
LED Indicators		
PoE	PoE On	
L1	Run	
L2	Link/Act	
L3	10/100M	
Power Requirements		
IEEE 802.3af	Class 1	
Required Supply Voltage	Powered by Power over Ethernet (PoE) or auxiliary power +12 V _{DC} ~ +48 V _{DC} (non-regulated)	
LED Indicator	Yes	
Power Consumption	0.12 A @ 24 V _{DC} Max.	
Mechanical		
Dimensions (W x H x D)	72 mm x 123 mm x 35 mm	
Installation	DIN-Rail or Wall mounting	
Environment		
Operating Temperature	-25 °C ~ +75 °C	
Storage Temperature	-30 °C ~ +80 °C	
Humidity	5 ~ 90% RH, non-condensing	

Software Specifications

Functions	
Rule Configuration Website	Access Web server on WISE controllers to edit and upload logic rules through web browser.
36 IF-THEN-ELSE Logic Rules	3 IF conditions with AND or OR operators 3 THEN actions and 3 ELSE actions
48 Internal Registers	Hold temporary variables and read/write data via Modbus/TCP address.
12 Timers	Delay / Timing functions.
12 Emails	Send Email messages to pre-set Email receivers.
12 CGI Commands	Send pre-set CGI commands.
12 Recipes	Set up THEN/ELSE action groups.
8 P2P remote modules	Set up the connection information for the remote WISE modules.
Modbus/TCP Protocol	Real time control and monitoring I/O channels and system status of controllers via SCADA software.

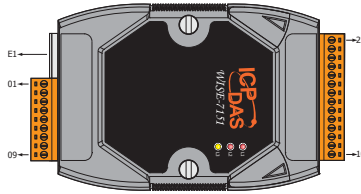
IF Conditions	
DI Channel	ON · OFF · ON to OFF · OFF to ON · Change
Internal Register	= > · < · >= · <=(value) · Change
DI Counter	= > · < · >= · <=(value) · Change
Timer	Timeout · Not Timeout
P2P	DI · AI · DI counter · DO counter · IR
Rule Status	Enable · Disable



THEN / ELSE Actions	
Internal Register	Change the value
DI Counter	Reset
Timer	Start · Stop
Email	Send
CGI Commands	Execute
Recipe	Execute
P2P	DO(On/Off) · AO · IR
Rule Status	Enable · Disable

Pin Assignment

Terminal No.	Pin Assignment
E1	RJ-45
01	IN13
02	IN14
03	IN15
04	IN.COM2
05	N/A
06	N/A
07	N/A
08	(R)+Vs
09	(B)GND

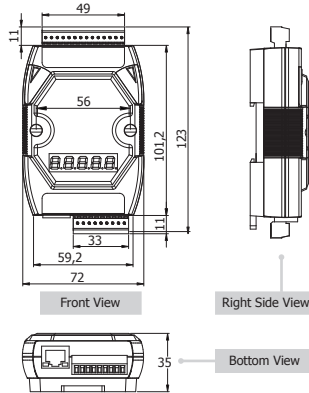


Terminal No.	Pin Assignment
23	IN12
22	IN11
21	IN10
20	IN9
19	IN8
18	IN.COM1
17	IN7
16	IN6
15	IN5
14	IN4
13	IN3
12	IN2
11	IN1
10	IN0

Wire Connection

Digital Input	Readback as 0	Readback as 1
Sink	+10 ~ +50 V _{dc} 	OPEN or <4 V _{dc}
	+10 ~ +50 V _{dc} 	OPEN or <4 V _{dc}
Source	+10 ~ +50 V _{dc} 	OPEN or <4 V _{dc}
	+10 ~ +50 V _{dc} 	OPEN or <4 V _{dc}

Dimensions (Unit: mm)



Ordering Information

WISE-7151	16-channel Isolation Digital Input PoE Module (RoHS)
-----------	--

Accessories

GPSU06U-6	24V/0.25A, 6 W Power Supply
MDR-20-24	24V/1A, 24 W Power Supply with DIN-Rail Mounting
NS-205 CR	Unmanaged 5-Port Industrial Ethernet Switch (RoHS)
NS-205PSE CR	Unmanaged 5-Port Industrial PoE Ethernet Switch (RoHS)