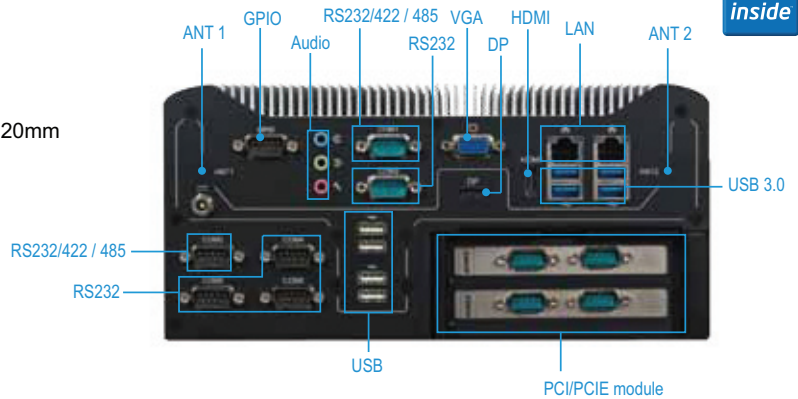


WEBS-3583

Embedded rugged fan-less system with Intel® i7/i5/i3 based MINI-ITX board



The WEBS-3583 built with Intel® desktop Q87 chipset and takes advantage of Intel® Core™ i3 / i5 / i7 desktop processor technologies that can support dual channel DDR3 memory. Support two Gigabit Ethernet ports, two expansion PCIE x1 slot(or one PCIE x1 + one PCI slot) and one Mini PCI socket. The WEBS-3583 is the ideal platform for POS, high resolution digital signage, surveillance security monitoring, and Kiosk applications.

FEATURES

- 4th generation Intel® Core i3/i5/i7 Desktop processor(Quad-Core CPU supported)
- Intel® Q87 Chipset
- Intel Core i High performance Fanless Embedded Box PC
- Dual Long-DIMM DDR3 up to 16GB
- 2x SATA HDD/SSD , 1x SATA DOM
- 2x RS-232/422/485,4x RS-232,4x USB3.0,4x USB2.0 ,2x Gbe
- Rich I/O is good for versatile applications
- Triple Display by VGA/HDMI/DP
- 2x Antenna hole for WIFI or 3G/GPS module to use
- 1x Mini PCIe socket + 2x PCI-E x1 (or 1x PCI-E x1 + PCI)
- Innovative PCI/PCI expansion module is easy for add card replacement
- Rugged design is good for using in harsh environment
- OP Vibration:5Grms/5~500Hz
- OP Shock:50G, 11msec

ORDERING GUIDE

AS5-3364	(R).ATO.WEBS-3583.Mini-ITX System.
----------	------------------------------------

System

M/B	WADE-8015
System Chipset	DH82Q87
CPU	Intel® Core™ i7-4770TE Processor,8M L2 Cache, up to 3.30 GHz,22nm,45W TDP(4C/8T) Intel® Core™ i5-4570TE Processor,4M L2 Cache, up to 3.30 GHz,22nm,35W TDP(2C/4T) Intel® Core™ i3-4330TE Processor,4M L2 Cache, up to 2.4 GHz,22nm,35W TDP(2C/4T) Intel® Core™ G3320TE Processor,3M L2 Cache, up to 2.3 GHz,22nm,35W TDP(2C/2T)
FSB	1333MHz
BIOS	Phoenix uEFI BIOS (SPI ROM)
System Memory	Dual 204-pin Long-DIMM socket support DDR3 1333/1600 up to 16GB
Storage	2x SATA HDD/SSD ,1x SATA DOM
Watchdog Timer	Programmable via S/W from 1 sec. to 255 sec.
H/W Status Monitor	Temperature (CPU & System) Voltage (CPU Vcore, VBAT, 5VSB, 12V, 5V, 3.3V)

Expansion Interface

1x Mini-Pcie socket
2x PCIE x1(or 1x PCIEx1 + 1x PCI)

External I/O

Serial Port	6x COM ports(2x RS-232/422/485,4x RS-232)
Display	1x VGA + 1x DP+ 1x HDMI
USB	4x USB 3.0,4x USB2.0
Audio Interface	Line-out/Mic-in(ALC886)
Ethernet	2x Gigabit Ethernet(Intel® WGI217LM + WGI210AT)

Other

2x Antenna hole for WiFi/3G module

Power Supply Unit

Power Input	DC 12V~36V
Adaptor	AC 100 ~240V

Environmental

Operation Temperature	-20°C to 40°C(for i3/i5/i7) (i7 need to added FAN on heat-sink)
Storage Temperature	- 40°C to 80°C
Relative Humidity	95%@40°C, non-condensing
Operation Vibration	5Grms / 5-500Hz,IEC 60068-2-27
Operation Shock	50G, 11 msec, IEC 60068-2-27

Mechanical

Dimension	253 x193x 120mm;10"x7.6"x4"
Weight	7Kg
Mounting	Wall mounting

