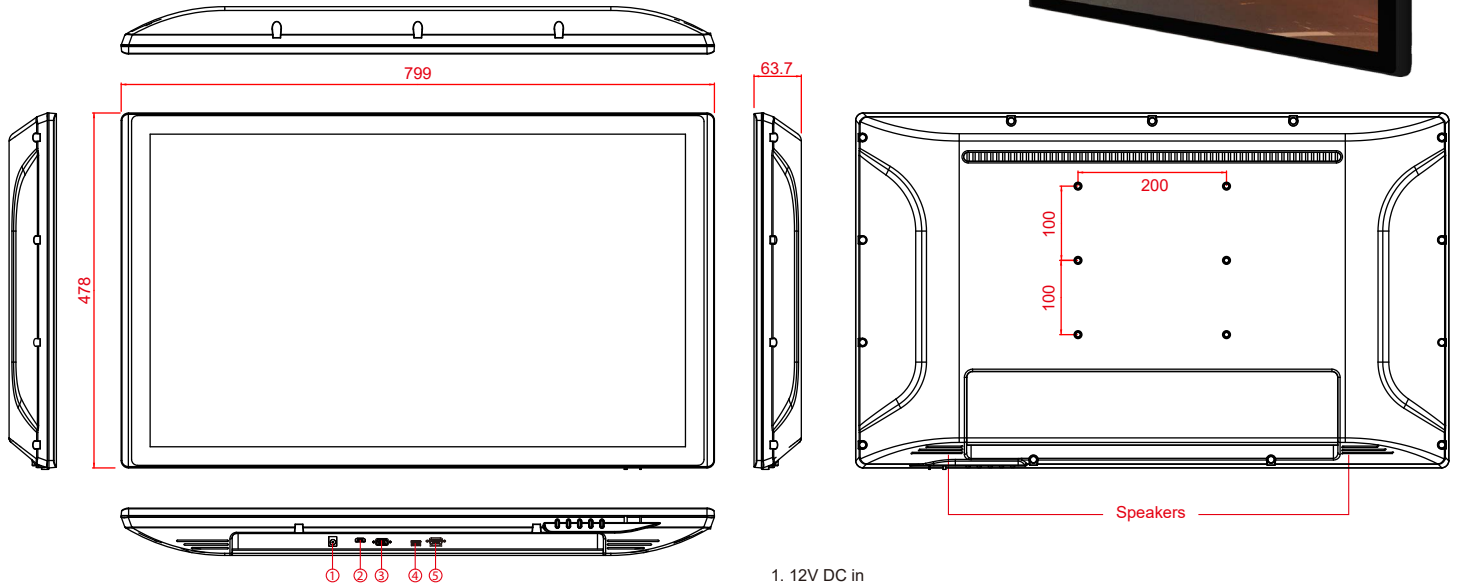


# 32" P-Cap Chassis Display - W32L100-PTA3

## Features

- 32" 1920 x 1080 with P-CAP touchscreen
- Bottom side keys x 5
- Fanless and Ventless design, Easy-to-Clean
- Support VGA, HDMI (Optional) signal input



\* Note: this is a simplified drawing and some components are not marked in detail. Please contact our sales representative if you need further product information.

1. 12V DC in
2. HDMI 1.4
3. VGA
4. USB for touch
5. RS-232 (Optional)

## Specifications

### Display Spec :

- Size/Type : 32" TFT
- Resolution : 1920 x 1080
- Panel Brightness : 400 nits (typ.)
- Contrast Ratio : 4000 : 1 (typ.)
- Viewing Angle : -89~89(H); -89~89(V)
- Display colors : 16.7M (8 bits/ color)
- Touch : Projected-Capacitive Touch

### Power Specification :

- Power Input : 12V DC, with External AC to DC Adapter (100~240V AC)
- Power Consumption : 50W typical, normal operation

### Environment Considerations :

- Operating Temperature : 0 °C to 50 °C
- Operating Humidity : 10% to 90% (non-condensing)
- IP Rating : Front IP65

### Input Specifications :

- Input Ports : 1 x VGA  
1 x HDMI 1.4 (Optional)
- USB Port (Touch) : 1 x USB
- Remote Control : 1 x RS232 (Optional)
- Speaker : 2 x 5W speaker

### Mechanical Specification :

- Mounting : VESA Mount (100 x 200mm)  
(200 x 200mm)
- Dimensions (W x H x D) : 799 x 478 x 63.7 (mm)