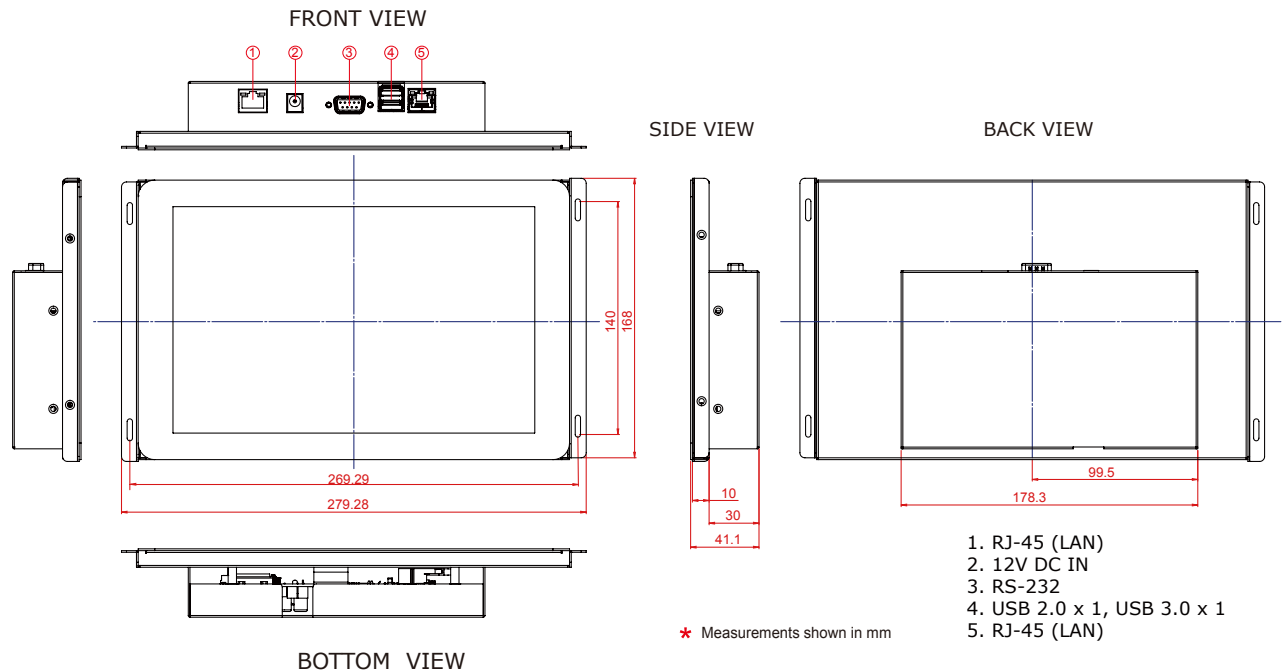


W10IB3S-POA1 10.1" P-CAP Open Frame Panel PC (Intel® Celeron® Bay Trail-M N2930 1.83GHz)

Mechanical Design

- 10.1" 1920 x 1200, 700 nits, 750:1
- Intel® Celeron® Bay Trail-M N2930 1.83 GHz
- Slim-line design in open-frame housing
- Multi Touch P-Cap flat design
- Windows 8.1/ 10 IoT system
- 12V DC IN with power jack
- Suitable for KIOSK applications



Specifications

System

- Processor : Intel® Celeron® Bay Trail-M N2930 1.83GHz
- System Chipset : Intel® ATOM SoC Integrated
- System Memory : 2GB DDR3L 1600 SODIMM
- Storage : 64GB mSATA SSD
- LAN : Dual Intel® I210AT GbE LAN

Input / Output

- Serial Ports : 1 x RS232
- USB Ports : 1 x USB 3.0, 1 x USB 2.0
- Ethernet : 2 x RJ 45-10/100/1000 Mbps (LAN)

Power Specifications

- Power Input : 12V DC (Power Jack)
- Power consumption : 24W

OS/BSP Driver Support

- Operating System : Windows 10 IoT Enterprise
: Windows Embedded 8.1 Industry Pro
: Windows Embedded Standard 8
: Windows Embedded Standard 7

Panel Spec

- Size/Type : 10.1"
- Resolutions : 1920 x 1200
- Brightness : 700 cd/m²(typ.)
- Contrast Ratio : 750 : 1 (typ.)
- Viewing Angle : -89~89(H);-89~89(V)
- Max. Colors : 16.7M (8 bit)

Mechanical Specification

- Cooling System : Fanless design
- Mounting : Open Frame Mount
- Dimension (W x H x D) : 279.28 x 168 x 41.1 (mm)

Environment Considerations

- Operating Temperature : 0° C to +50° C
- Operating Humidity : 10% to 90% (non-condensing)

Security Support

- Trusted Platform Module (TPM 1.2)



Note: All Specifications are subject to change without prior notice!

Revised Date:25-Aug-2017 V1.4