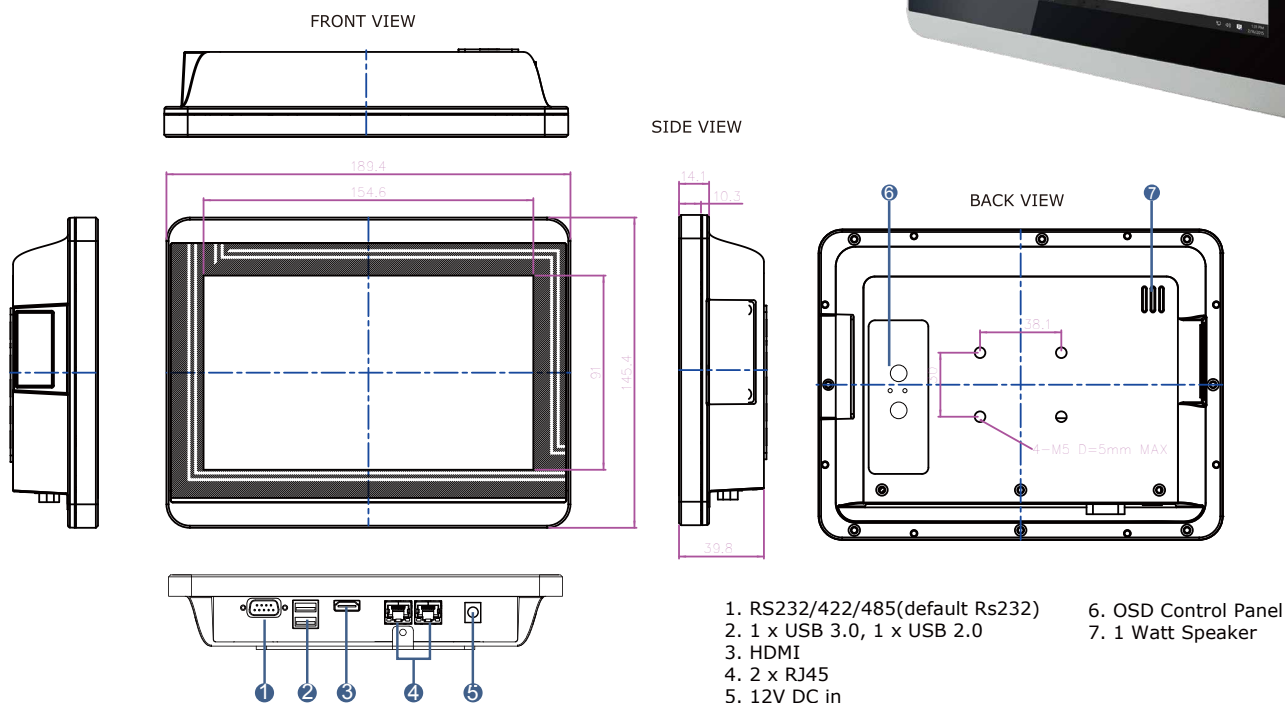


7" GC65 Panel PC (Standard I/O) -W07IB3S-GCM1(HB)

Features

- 7" 1024 x 600 with P-CAP touchscreen
- Low power consumption with Intel® Celeron® N2930
- Fanless cooling system and ultra low power consumption
- Front IP65 for protection against water and dust
- A true flat, easy-to-clean front surface with edge-to-edge design
- Plenty of I/O, including 2 x LAN, 1 x COM, 1 x USB 3.0, 1 x USB 2.0, 1 x HDMI



1. RS232/422/485(default Rs232)
2. 1 x USB 3.0, 1 x USB 2.0
3. HDMI
4. 2 x RJ45
5. 12V DC in
6. OSD Control Panel
7. 1 Watt Speaker

Specifications

System

- Processor : Intel® Celeron® Bay Trail-M N2930 1.83GHz
- System Memory : 2GB DDR3L-1600 SODIMM max 8GB
- Storage : mSATA 64GB SSD

Input / Output

- Serial Ports : 1 x RS-232/422/485
- USB Ports : 1 x USB 3.0, 1 x USB 2.0
- Ethernet : 2 x RJ 45-10/100/1000 Mbps
- Speaker : 1 x speaker
- HDMI : 1 x HDMI 1.4a

Environment

- Operating Temperature : -10 °C to 55 °C
- Operating Humidity : 10% to 95% (non-condensing)
- IP Rating : Front IP65
- Shock Operating : 30g for 18ms, 300m/s²
- Vibration Operating : 1.60/1.96/2.18 g rms for XYZ/ 5-500Hz

Power Considerations

- Power Input : 12V DC in

Display

- Size/Type : 7" TFT (widescreen)
- Resolution : 1024 x 600
- Brightness : 500 cd/m (typ.)
- Contrast Ratio : 700:1 (typ.)
- Viewing Angle : -75~75 (H); -70~75 (V)
- Max Colors : 262K (6 bit)
- Active Display Area : 153.6 (H) x 90 (V)

Mechanical Specification

- Cooling System : Fanless design
- Mounting : RAM Mount, Panel Mount (Optional VESA 75 x 75 mm)
- Dimensions (W x H x D) : 189.4 x 145.4 x 34.3 (mm)

Operating System

- Windows 10 IoT Enterprise
- Windows Embedded 8.1 Industry Pro
- Windows Embedded Standard 7