



Main Features

- Intel® Core™ 8th Gen. desktop, i7-8700T, 2.4GHz, 6 Core
- 8 x 10/100/1000 PoE 802.3af/at
- 1 x VGA and 1 x HDMI video output
- ultraONE+ for 10-Meter video + audio output
- 2 x External SSD and 2 x mSATA for RAID 0, 1, 5, 10
- 2 x WWAN module and 3 x SIM socket with eSIM option
- 3 x mini-PCIe and 1 x M.2
- CE/FCC/E mark

Product Overview

NEXCOM mobile surveillance system VTC 7250-7C8 accomplishes operational efficiency of public transportation and service. Based on the 8th generation Intel® Core™ processors i7-8700T, VTC 7250-7C8 provides an integral solution incorporating high computing power, 8 port of PoE, wireless communication (2 x WWAN + 3 x SIM) and long distance display connection (up to 10 meters), GNSS tracking with optional Dead Reckoning (DR) support to record in-vehicle activities, locations, high quality videos, driving patterns, and vehicle diagnostics for buses and patrol vehicles achieving better measures for safety and management.

Specifications

CPU

- Intel® Core™ 8th Gen. i7-8700T, 2.4GHz, 35W, 6 Core

Chipset

- Intel® Q370 platform controller hub

Memory

- 2-Channel 204-pin DDR4 SO-DIMM sockets up to 16GB/channel (32G for two channels), default 8GB industrial grade memory

Storage

- 2 x 2.5" SATA 3.0 external SSD
- 2 x mSATA

Expansion

- 1 x Full size mini-PCIe socket (USB 2.0, PCIe 3.0, SATA 3.0)
- 1 x Full size mini-PCIe socket (USB 2.0), optional M.2 key B (3042)
- 1 x Full size mini-PCIe socket (USB 2.0, PCIe 3.0, SATA 3.0 (option))
- 1 x M.2 key B (USB 2.0, USB 3.1)

GNSS and On Board Sensor

- 1 x Default U-blox NEO-M8N GNSS module for GPS/Glonass/QZSS/Galileo/Beidou
- Optional modules with dead reckoning available
- Built-in TPM 2.0

Power over Ethernet

- 8-Port LAN, 10/100/1000 Mbps, PoE 802.3af/at, max. 60W
- 1-Port LAN, 10/100/1000 Mbps

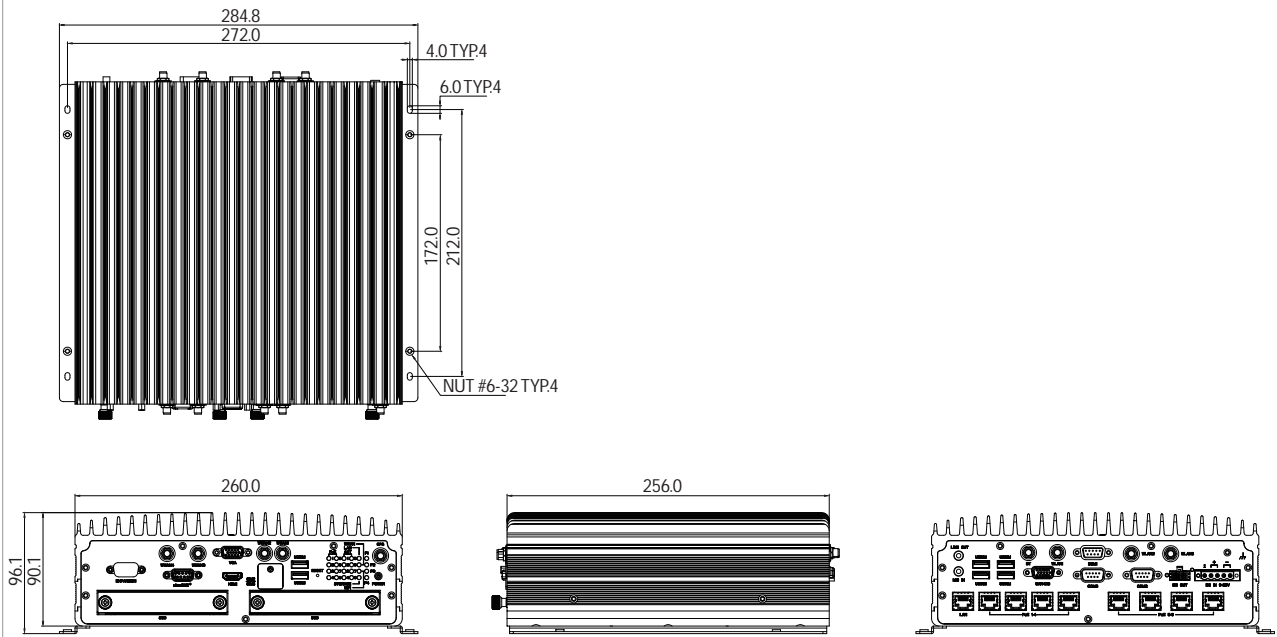
I/O Interface-Front

- 24 x LED indicators (including 4 x programmable LED)
- 1 x HDMI 1.4b.
- 1 x VGA
- 1 x ultraONE+ for 10M video + audio output + 24VDC output
- 2 x USB 3.1 type A (5V/1A)
- 2 x Externally accessible SIM card sockets
- 2 x 2.5" removable SSD tray
- 1 x Reset button
- 1 x Power button
- 5 x SMA antenna

I/O Interface-Rear

- 8 x PoE 802.3af/at (Max. 60W)
- 1-Port LAN, 10/100/1000 Mbps
- 1 x 5-pin terminal block for 9V~36V DC
- 1 x Mic-in, 1 x Line-out
- 4 x 2 connector for 12VDC/2A output, power button, 2 x MDI
- 2 x DB9 for full RS232
- 1 x DB9 for full RS232/422/485 (RI, 5V/0.5A, 12V/0.5A)
- 1 x DB15
 - 1 x Isolated CANBus 2.0B
 - 1 x GPS DR
 - 4 x DI and 4 x DO
- 4 x SMA antenna
- 4 x USB 3.1 type A (5V/1A)

Dimension Drawing



Power Management

- Selectable boot-up & shut-down voltage for low power protection by software
- Setting 8-level power on/off delay time by software
- Support S3/S4 suspend mode

Operating System

- Windows 10/Linux/YOCTO (by request)

Dimensions

- 260 x 196 x 99 (W x D x H) (mm)

Weight

- 6.3kg

Environment

- Operating temperatures
 - -30°C~60°C (w/industrial SSD) with air flow
- Storage temperatures: -40°C~80°C
- Relative humidity: 90% (non-condensing)

Vibration (random)

- 2g@5~500 Hz (in operation, SSD)

Vibration (SSD)

- Operating: MIL-STD-810G, Method 514.6, Category 4, common carrier US highway truck vibration exposure
- Storage: MIL-STD-810G, Method 514.6, Category 24, minimum integrity test

Shock (SSD)

- Operating: MIL-STD-810G, Method 516.6, Procedure I, functional shock=40g
- Non-operating: MIL-STD-810G, Method 516.6, Procedure V, crash hazard shock test=75g

Certifications

- CE approval, FCC Class A, E13 mark

Order Information

♦ VTC 7250-7C8 (P/N: 10V00725000X0)

Intel® Core™ 8th Gen. i7-8700T, 8GB industrial grade memory, 8 x PoE 802.3af/at, 3 x mini-PCIe, 1 x M.2, 3 x SIM