



VSX-6114-V2 / VSX-6114-V2-AU

DM&P Vortex86SX 300MHz

Tiny CPU Module

with 4S/2USB/VGA/LVDS/LAN/GPIO

128MB DDR2 Onboard

User's Manual

(Revision 1.0A)

● Copyright

The information in this manual is subject to change without notice for continuous improvement in the product. All rights are reserved. The manufacturer assumes no responsibility for any inaccuracies that may be contained in this document. And makes no commitment to update or to keep current the information contained in this manual.

No part of this manual may be reproduced, copied, translated or transmitted, in whole or in part, in any form or by any means without the prior written permission of the ICOP Technology Inc..

©Copyright 2007 ICOP Technology Inc.

Manual No. IUM6114-V2000-01 Ver.1.0A ● October, 2009

● Trademarks Acknowledgment

Vortex86SX™ is the registered trademark of ICOP Technology Inc.

Other brand names or product names appearing in this document are the properties and registered trademarks of their respective owners. All names mentioned herewith are served for identification purpose only.

Table of Contents

| | |
|--|-----|
| Table of Contents..... | iii |
| Chapter 1 Introduction..... | 1 |
| 1.1 Packing List..... | 1 |
| 1.2 Product Description..... | 1 |
| 1.3 Specifications..... | 3 |
| 1.4 Board Dimension..... | 5 |
| Chapter 2 Installation..... | 6 |
| 2.1 Board Outline..... | 6 |
| 2.2 Connectors & Jumpers Location..... | 7 |
| 2.3 Connectors & Jumpers Summary..... | 9 |
| 2.4 Pin Assignments & Jumper Settings..... | 10 |
| 2.5 System Mapping..... | 16 |
| 2.6 Watchdog Timer..... | 19 |
| 2.7 GPIO..... | 20 |
| 2.8 SPI flash..... | 21 |
| Chapter 3 Driver Installation..... | 22 |
| Appendix..... | 23 |
| A. LVDS Flat Panel Support List..... | 23 |
| B. Flat Panel Wiring and Lighting..... | 24 |
| C. TCP/IP library for DOS real mode..... | 25 |
| D. BIOS Default Setting..... | 26 |
| Warranty..... | 27 |

Chapter 1

Introduction

1.1 Packing List

| Product Name | Package |
|------------------------------------|---|
| VSX-6114-V2 & VSX-6114-V2-AU | <ul style="list-style-type: none">● Embedded Vortex86SX CPU All-in-One Board● Manual & Drivers CD x 1● RS232 cable x 4● IDE cable x 1● USB cable x 1 (USB port x 2)● VGA cable x 1● GPIO cable x 1● PS/2 Mouse cable x 1● PS/2 Keyboard cable x 1 |

1.2 Product Description

The VSX-6114-V2 family of low-power x86 embedded controller is designed to meet Tiny specification, and integrated with the following features.

- 300 MHz Vortex86SX System-On-Chip
- 128MB DDR2 system memory
- VGA, LVDS LCD support up to 1280x1024 resolution
- Enhanced IDE (UltraDMA-100/66/33)
- 10/100Mbps Ethernet
- 2 USB 2.0 (host)
- Up to 4 serial ports
- 16-bit GPIO x1
- x-ISA bus
- RS-485 with Auto Direction
- 2 watchdog timer
- Audio (Optional)
- JTAG interface
- AMI BIOS
- 2MB SPI flash
- Single voltage +5V DC
- Support extended operating temperature range of -20°C to +70°C

The VSX-6114-V2 Tiny family of embedded controller is designed with backward compatibility in mind, to provide migration path for projects facing end-of-life challenges with their existing x86 based Tiny controller. The VSX-6114-V2 family of controller is designed as a plug in replacement, with backward compatibility to support legacy software to help extend existing product life cycle without heavy re-engineering.

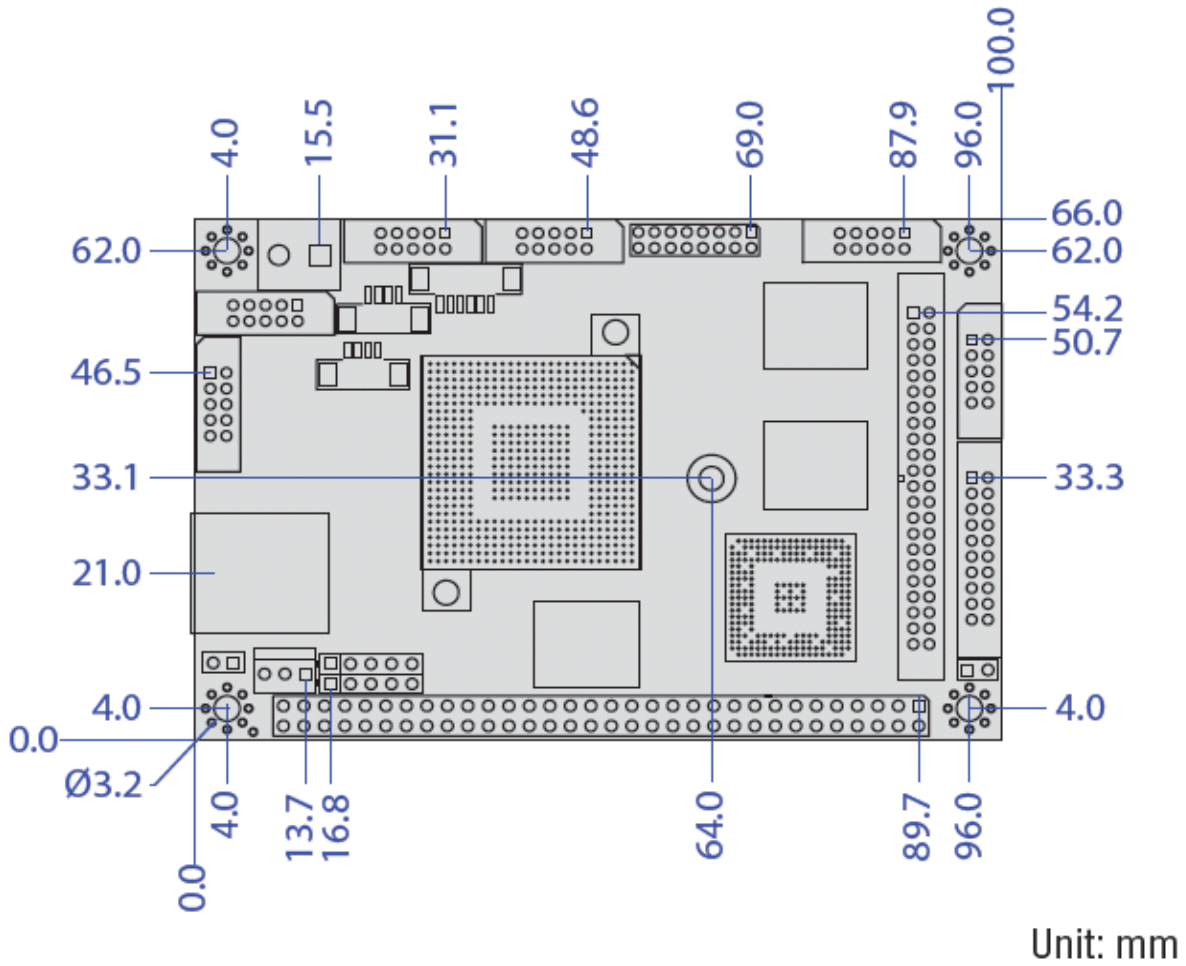
VSX-6114-V2 is suitable for broad range of data-acquisition, Industrial automation, Process control, Automotive controller, AVL, Intelligent Vehicle management device, Medical device, Human machine interface, Robotics, machinery control And more... application that required small footprint, low-power and low-cost hardware with open industry standard such as Tiny.

1.3 Specifications

| Features | VSX-6114-V2 |
|--------------------|---|
| CPU | DM&P SoC CPU Vortex86SX- 300MHz Real Time Clock with Lithium Battery Backup |
| Cache | L1:16K I-Cache, 16K D-Cache |
| BIOS | AMI BIOS |
| Bus Interface | 16-bit x-ISA interface |
| System Memory | 128 / 256MB DDR2 Onboard |
| Watchdog Timer | Software programmable from 30.5 us to 512 seconds x2 sets(Watchdog 1 fully compatible with M6117D) |
| VGA | XGI Volari Z9s Chipset VGA and LVDS Flat Panel Interface Support Onboard 32MB VGA Memory Support resolution up to 1280 x 1024,16MB colors |
| LAN | Integrated 10/100M Ethernet |
| Audio | CM119 USB Audio Controller (Optional) |
| I/O Interface | <ul style="list-style-type: none"> ● Enhanced IDE port (UltraDMA-100/66/33) x1 ● RS-232 port x3 ● RS-232/422/485 port x1(RS485 with Auto Direction) ● USB port x2 (USB 2.0 version) ● 16-bit GPIO port x1 ● 10/100Mbps Ethernet port x1 |
| Connectors | <ul style="list-style-type: none"> ● 2.00 mm Ø 44-pin box header for IDE x1 ● 2.00 mm Ø 20-pin box header for 16-bit GPIO x1 ● 2.00 mm Ø 10-pin box header for RS-232 x4 ● 2.00 mm Ø 10-pin box header for USB x1 ● 2.00 mm Ø 10-pin box header for VGA x1 ● 2.00 mm Ø 16-pin header for LVDS x 1 ● 2.54 mm Ø 3-pin header for RS-485 x1 ● 2.54 mm Ø 5-pin header for keyboard x1 ● 2.54 mm Ø 5-pin header for Mouse x1 ● 2.54 mm Ø 2-pin header for Reset x1 ● 1.25 mm Ø 6-pin wafer for JTAG x1 ● 1.25 mm Ø 4-pin wafer for Line-out/MIC-in x2 (Opt.) ● External RJ-45 connector for Ethernet x1 |
| Flash Disk Support | <ul style="list-style-type: none"> ● Onboard 2MB SPI Flash Disk (Driver: A) ● 44-pin IDE Flash Disk(EmbedDisk 16MB or above) |

| | |
|-----------------------|---|
| Power Requirement | Single Voltage +5V @ 620mA |
| Dimension | 100mm X 66mm (3.94 x2.6 inches) |
| Weight | 65g |
| Operating Temperature | -20°C ~ +70°C -40°C ~ +85°C (Optional) |

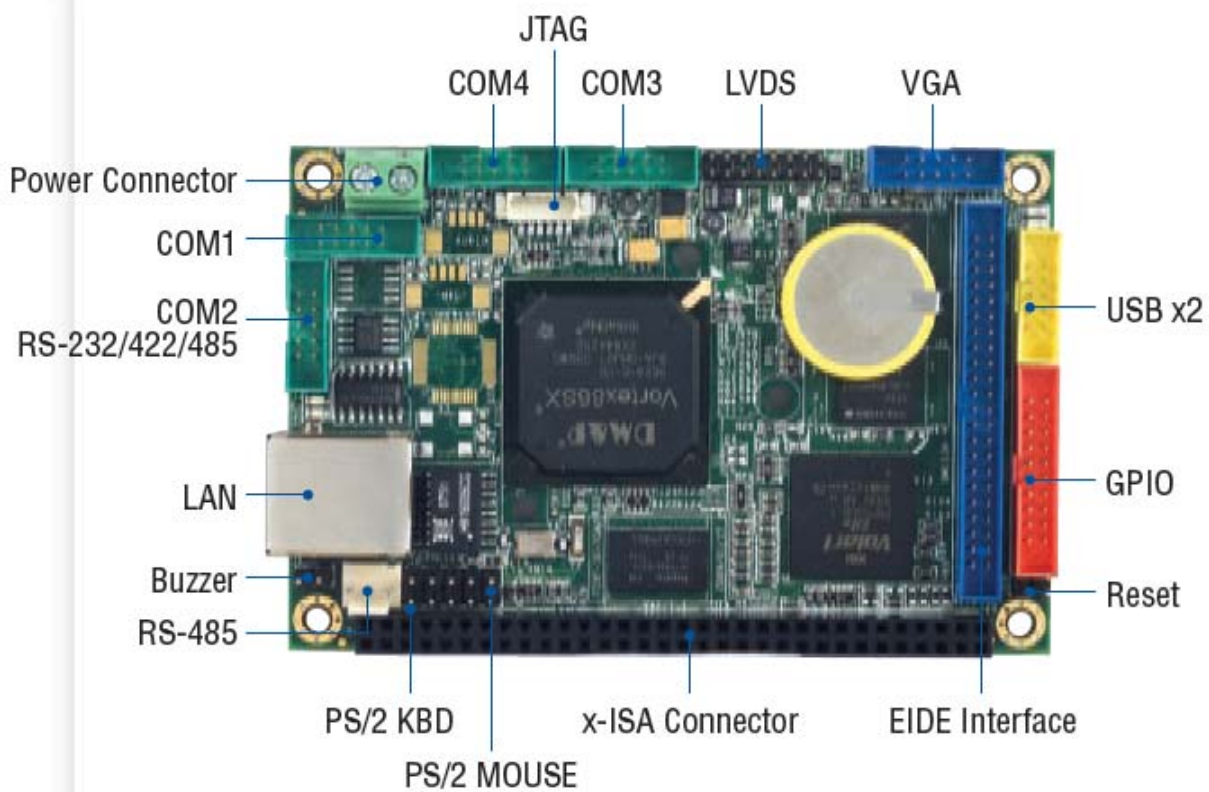
1.4 Board Dimension



Chapter 2

Installation

2.1 Board Outline

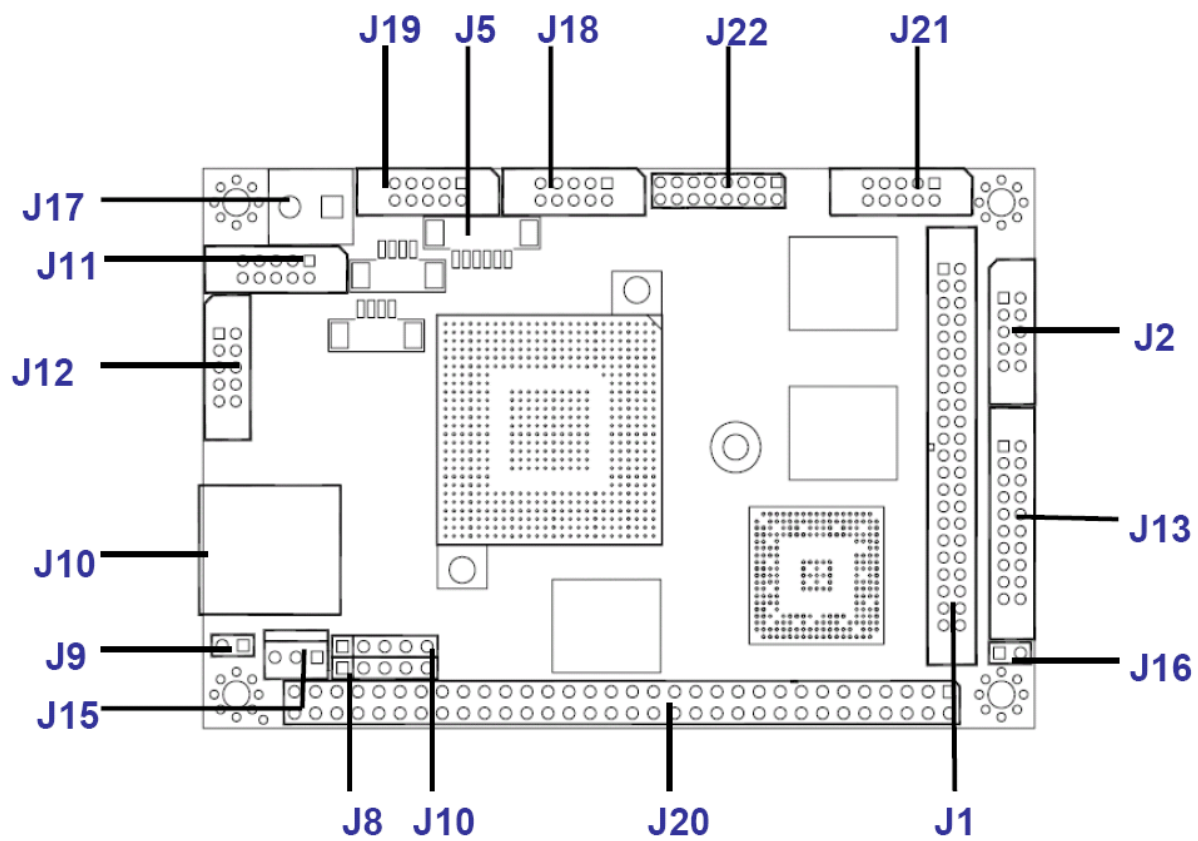


(Note1: COM2 RS232/422/485 is selected by BIOS setting)

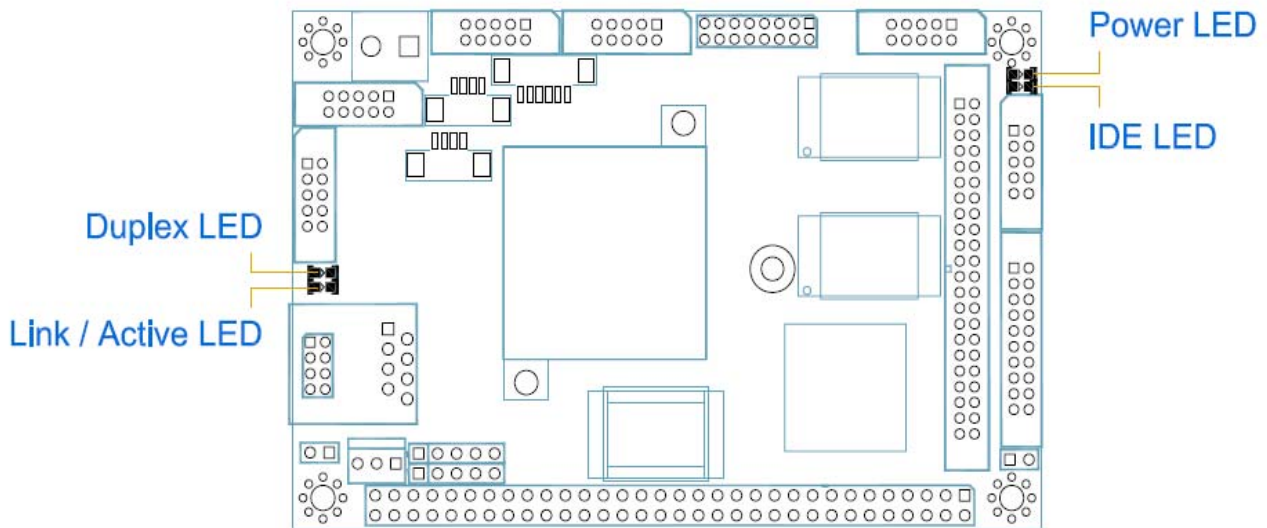
(Note2: Audio is optional)

2.2 Connectors & Jumpers Location

Connectors



Jumpers & LEDs



2.3 Connectors & Jumpers Summary

| Summary Table | | | |
|---------------|-----------------------------|-------------------------|-----------|
| Nbr | Description | Type of Connections | Pin nbrs. |
| J1 | IDE | Box Header, 2.0Ø ,22x2 | 44-pin |
| J2 | USB | Box Header,2.0Ø , 5x2 | 10-pin |
| J4 | 10/100Base-T Ethernet LAN | RJ45 Connector | 8-pin |
| J5 | JTAG | Wafer, 1.25Ø , 6x1 | 6-pin |
| J8 | PS/2 Keyboard | Box Header, 2,54Ø,1x5 | 5-pin |
| J9 | Buzzer | Pin Header, 2,54Ø,1x2 | 2-pin |
| J10 | PS/2 Mouse | Pin Header, 2,54Ø,1x5 | 5-pin |
| J11 | COM1 | Box Header, 2.0Ø 5x2 | 10-pin |
| J12 | COM2 | Box Header, 2.0Ø 5x2 | 10-pin |
| J13 | GPIO Port 0 / 1 | Box Header, 2.0Ø ,10x2 | 20-pin |
| J15 | RS-485 | Molex Header,2.54Ø,3x1 | 3-pin |
| J16 | Reset | Pin Header, 2,54Ø,1x2 | 2-pin |
| J17 | Power Connector | Terminal Block 5.0Ø,2x1 | 2-pin |
| J18 | COM3 | Box Header, 2.0Ø 5x2 | 10-pin |
| J19 | COM4 | Box Header, 2.0Ø 5x2 | 10-pin |
| J20 | x-ISA Connector – 64 pin | Box Header, 2.54Ø 32x2 | 64-pin |
| J21 | VGA | Pin Header, 2.0Ø ,5x2 | 10-pin |
| J22 | LVDS | Pin Header, 2.0Ø 8x2 | 16-pin |
| J23 | LINE-OUT (Optional) | Wafer, 1.25Ø , 4x1 | 4-pin |
| J24 | MIC-IN (Optional) | Wafer, 1.25Ø , 4x1 | 4-pin |
| PWR-LED | Power Active LED (Red) | LED-SMD | |
| IDE- LED | IDE Active LED (Green) | LED-SMD | |
| LED 3 | LAN Link/Active LCD (Green) | LED-SMD | |
| LED 4 | LAN Duplex LED (Yellow) | LED-SMD | |

2.4 Pin Assignments & Jumper Settings

J1: IDE (44 Pins)

| Pin # | Signal Name | Pin # | Signal Name |
|-------|-------------|-------|-------------|
| 1 | IDERST | 2 | GND |
| 3 | IDED7 | 4 | IDED8 |
| 5 | IDED6 | 6 | IDED9 |
| 7 | IDED5 | 8 | IDED10 |
| 9 | IDED4 | 10 | IDED11 |
| 11 | IDED3 | 12 | IDED12 |
| 13 | IDED2 | 14 | IDED13 |
| 15 | IDED1 | 16 | IDED14 |
| 17 | IDED0 | 18 | IDED15 |
| 19 | GND | 20 | NC |
| 21 | IDEREQ | 22 | GND |
| 23 | IDEIOW | 24 | GND |
| 25 | IDEIOR | 26 | GND |
| 27 | ICHRDY | 28 | GND |
| 29 | IDEACK | 30 | GND |
| 31 | IDEINT | 32 | NC |
| 33 | IDESA1 | 34 | IDECBLID |
| 35 | IDESA0 | 36 | IDESA2 |
| 37 | IDECS-0 | 38 | IDECS1 |
| 39 | IDELED | 40 | GND |
| 41 | VCC | 42 | VCC |
| 43 | GND | 44 | NC |

J2: USB

| Pin # | Signal Name | Pin # | Signal Name |
|-------|-------------|-------|-------------|
| 1 | VCC | 2 | VCC |
| 3 | LUSBD3- | 4 | LUSBD2- |
| 5 | LUSBD3+ | 6 | LUSBD2+ |
| 7 | GND | 8 | GND |
| 9 | GGND | 10 | GGND |

J5: JTAG

| Pin # | Signal Name | Pin # | Signal Name |
|-------|-------------|-------|-------------|
| 1 | VCC | 2 | GND |
| 3 | TCK | 4 | TDO |
| 5 | TDI | 6 | TMS |

J8: PS/2 Keyboard

| Pin # | Signal Name | Pin # | Signal Name |
|-------|-------------|-------|-------------|
| 1 | KBCLK | 2 | KBDAT |
| 3 | NC | 4 | GND |
| 5 | VCC | | |

J9: Buzzer

| Pin # | Signal Name | Pin # | Signal Name |
|-------|-------------|-------|-------------|
| 1 | Buzzer | 2 | VCC |

J10: PS/2 Mouse

| Pin # | Signal Name | Pin # | Signal Name |
|-------|-------------|-------|-------------|
| 1 | MSCLK | 2 | MSDATA |
| 3 | NC | 4 | GND |
| 5 | VCC | | |

J11: COM 1

| Pin # | Signal Name | Pin # | Signal Name |
|-------|-------------|-------|-------------|
| 1 | DCD1 | 2 | RXD1 |
| 3 | TXD1 | 4 | DTR1 |
| 5 | GND | 6 | DSR1 |
| 7 | RTS1 | 8 | CTS1 |
| 9 | RI1 | 10 | NC |

J12: COM2 RS232 / 422 / 485 (Change setting by BIOS)

| Pin # | Signal Name | Pin # | Signal Name |
|-------|------------------------|-------|------------------------|
| 1 | DCD2 / 422TX- / RS485- | 2 | RXD2 / 422TX+ / RS485+ |
| 3 | TXD2 / 422RX+ | 4 | DTR2 / 422RX- |
| 5 | GND | 6 | DSR2 |
| 7 | RTS2 | 8 | CTS2 |
| 9 | RI2 | 10 | NC |

J13: GPIO (Port 0 / Port 1)

| Pin # | Signal Name | Pin # | Signal Name |
|-------|-------------|-------|-------------|
| 1 | GND | 2 | VCC |
| 3 | GP00 | 4 | GP10 |
| 5 | GP01 | 6 | GP11 |
| 7 | GP02 | 8 | GP12 |
| 9 | GP03 | 10 | GP13 |
| 11 | GP04 | 12 | GP14 |
| 13 | GP05 | 14 | GP15 |
| 15 | GP06 | 16 | GP16 |
| 17 | GP07 | 18 | GP17 |
| 19 | VCC | 20 | GND |

J15: RS-485 (Auto direction)

| Pin # | Signal Name |
|-------|-------------|
| 1 | RS485+ |
| 2 | RS485- |
| 3 | GND |

J16: RESET

| Pin # | Signal Name | Pin # | Signal Name |
|-------|-------------|-------|-------------|
| 1 | Reset | 2 | GND |

J17: Power Connector (Terminal Block 5.0mm)

| Pin # | Signal Name |
|-------|-------------|
| 1 | +5V |
| 2 | GND |

J18: COM3

| Pin # | Signal Name | Pin # | Signal Name |
|-------|-------------|-------|-------------|
| 1 | DCD3 | 2 | RXD3 |
| 3 | TXD3 | 4 | DTR3 |
| 5 | GND | 6 | DSR3 |
| 7 | RTS3 | 8 | CTS3 |
| 9 | RI3 | 10 | NC |

J19: COM4

| Pin # | Signal Name | Pin # | Signal Name |
|-------|-------------|-------|-------------|
| 1 | DCD4 | 2 | RXD4 |
| 3 | TXD4 | 4 | DTR4 |
| 5 | GND | 6 | DSR4 |
| 7 | RTS4 | 8 | CTS4 |
| 9 | RI4 | 10 | NC |

J20: x-ISA Connector – 64pin

| Pin # | Signal Name | Pin # | Signal Name |
|-------|-------------|-------|-------------|
| 1 | GND | 2 | SBHE |
| 3 | RSTDRV | 4 | SD7 |
| 5 | VCC | 6 | SD6 |
| 7 | SD8 | 8 | SD5 |
| 9 | SD9 | 10 | SD4 |
| 11 | SD10 | 12 | SD3 |
| 13 | SD11 | 14 | SD2 |
| 15 | SD12 | 16 | SD1 |
| 17 | SD13 | 18 | SD0 |
| 19 | GND | 20 | IOCHRDY |
| 21 | SMEMW | 22 | AEN |
| 23 | SMEMR | 24 | SA19 |
| 25 | IOW | 26 | SA18 |
| 27 | IOR | 28 | SA17 |
| 29 | SD14 | 30 | SA16 |
| 31 | SD15 | 32 | SA15 |
| 33 | MEMCS16 | 34 | SA14 |
| 35 | ICOS16 | 36 | SA13 |
| 37 | REFRESH | 38 | SA12 |
| 39 | SYSCLK | 40 | SA11 |
| 41 | IRQ7 | 42 | SA10 |
| 43 | IRQ6 | 44 | SA9 |
| 45 | IRQ5 | 46 | SA8 |
| 47 | IRQ4 | 48 | SA7 |
| 49 | IRQ3 | 50 | SA6 |
| 51 | IRQ10 | 52 | SA5 |
| 53 | IRQ11 | 54 | SA4 |
| 55 | BALE | 56 | SA3 |
| 57 | VCC | 58 | SA2 |
| 59 | OSC | 60 | SA1 |
| 61 | GND | 62 | SA0 |
| 63 | IRQ12 | 64 | IRQ14 |

J21: VGA

| Pin # | Signal Name | Pin # | Signal Name |
|-------|-------------|-------|-------------|
| 1 | R OUT | 2 | GND |
| 3 | G OUT | 4 | GND |
| 5 | B OUT | 6 | GND |
| 7 | HSYNC | 8 | GND |
| 9 | VSYNCD | 10 | GND |

J22: LVDS

| Pin # | Signal Name | Pin # | Signal Name |
|-------|--------------|-------|--------------|
| 1 | VCC3 (+3.3V) | 2 | VCC3 (+3.3V) |
| 3 | GND | 4 | GND |
| 5 | RxIN0+ | 6 | RxIN0- |
| 7 | RxIN1- | 8 | GND |
| 9 | GND | 10 | RxIN1+ |
| 11 | RxIN2+ | 12 | RxIN2- |
| 13 | CKIN- | 14 | GND |
| 15 | GND | 16 | CKIN+ |

J23: LINE OUT (Optional)

| Pin # | Signal Name |
|-------|-------------|
| 1 | LOUTR |
| 2 | GND |
| 3 | GND |
| 4 | LOUTL |

J24: MIC-IN (Optional)

| Pin # | Signal Name |
|-------|-------------|
| 1 | MICVREF |
| 2 | GND |
| 3 | GND |
| 4 | MIC-IN |

2.5 System Mapping

| System Mapping | | |
|-----------------------|--|--------------|
| Memory Mapping | | |
| Address | Description | Usage |
| 0000:0000-9000:FFFF | System RAM | * |
| A000:0000-A000:FFFF | EGA/VGA Video Memory | * |
| B000:0000-B000:7FFF | MDA RAM, Hercules graphics display RAM | * |
| B000:8000-B000:FFFF | CGA display RAM | * |
| C000:0000-C000:7FFF | EGA/VGA BIOS ROM | * |
| C000:8000-C000:FFFF | Boot ROM enable. | * |
| D000:0000-D700:FFFF | Expansion ROM space. | |
| D800:0000-DB00:FFFF | SPI FLASH Emulation Floppy A Enable | |
| DC00:0000-DF00:FFFF | Expansion ROM space. | |
| E000:0000-E000:FFFF | USB Legacy SCSI ROM space. | * |
| F000:0000-F000:FFFF | Motherboard BIOS | * |
| I/O Mapping | | |
| I/O Address | Owner | Usage |
| 0000h - 000Fh | DMA 8237-1 | * |
| 0010h - 0017h | COM 9 | * |
| 0018h - 001Fh | Empty | |
| 0020h - 0021h | PIC 8259-1 | * |
| 0022h - 0023h | 6117D configuration port | * |
| 0024h - 002Dh | Empty | |
| 002Eh - 002Fh | Forward to LPC BUS | * |
| 0030h - 003Fh | Empty | |
| 0040h - 0043h | Timer counter 8254 | * |
| 0044h - 0047h | Empty | |
| 0048h - 004Bh | PWM counter 8254 | * |
| 004Ch - 004Dh | Empty | |
| 004Eh - 004Fh | Forward to LPC BUS | * |
| 0050h - 005Fh | Empty | |
| 0060h | Keyboard data port | * |
| 0061h | Port B + NMI control port | * |
| 0062h - 0063h | 8051 download 4K address counter | * |

| | | |
|---------------|--|---|
| 0064h | Keyboard status port | * |
| 0065h | WatchDog0 reload counter | * |
| 0066h | 8051 download 8bit data port | * |
| 0067h | WatchDog1 reload counter | * |
| 0068h - 006Dh | WatchDog1 control register | * |
| 006Eh - 006Fh | Empty | |
| 0070h - 0071h | CMOS RAM port | * |
| 0072h - 0075h | MTBF counter | * |
| 0076h - 0077h | Empty | |
| 0078h - 007Ch | GPIO port 0,1,2,3,4 default setup | * |
| 007Dh - 007Fh | Empty | |
| 0080h - 008Fh | DMA page register | * |
| 0090h - 0091h | Empty | |
| 0092h | System control register | * |
| 0093h - 0097h | Empty | |
| 0098h - 009Ch | GPIO direction control | * |
| 00A0h - 00A1h | PIC 8259-2 | * |
| 00A2h - 00BFh | Empty | |
| 00C0h - 00DFh | DMA 8237-2 | * |
| 00E0h - 00FFh | Empty | |
| 0100h - 0101h | GPCS1 default setting address | * |
| 0170h - 0177h | IDE1 (IRQ 15) | |
| 01F0h - 01F7h | IDE0 (IRQ 14) | * |
| 0220h - 0227h | COM8 Forward to LPC BUS | |
| 0228h - 022Fh | COM7 Forward to LPC BUS | |
| 0238h - 023Fh | COM6 Forward to LPC BUS | |
| 0278h - 027Fh | Printer port (IRQ 7, DMA 0) | |
| 02E8h - 02EFh | COM4 (IRQ 11) | * |
| 02F8h - 02FFh | COM2 (IRQ 3) | * |
| 0338h - 033Fh | COM5 Forward to LPC BUS | |
| 0376h | IDE1 ATAPI device control write only register | * |
| 03E8h - 03Efh | COM3 (IRQ 10) | * |
| 03F0h - 03F7h | Floppy Disk (IRQ 6, DMA 2) | |
| 03F6h | IDE0 ATAPI device control write only register | * |
| 03F8h - 03FFh | COM1 (IRQ 4) | * |
| 0480h - 048Fh | DMA High page register | * |
| 0490h - 0499h | Instruction counter register | * |
| 04D0h - 04D1h | 8259 Edge,/ level control register | * |
| 0CF8h - 0CFFh | PCI configuration port | * |
| D400h - D4FFh | on board LAN | * |
| FC00h - FC05h | SPI Flash BIOS control register | * |
| FC08h - FC0Dh | External SPI BUS control register (output pin configurable GPIO3[0-3]) | * |

| IRQ Mapping | | |
|--------------------|----------------------------|--------------|
| IRQ# | Description | Usage |
| IRQ0 | System Timer | * |
| IRQ1 | Keyboard Controller | * |
| IRQ2 | Cascade for IRQ8 - 15 | |
| IRQ3 | Serial Port 2 | * |
| IRQ4 | Serial Port 1 | * |
| IRQ5 | USB / Ethernet 10/100M LAN | * |
| IRQ6 | Unassigned | |
| IRQ7 | Unassigned | |
| IRQ8 | Real Time Clock | * |
| IRQ9 | Serial Port 9 | * |
| IRQ10 | Serial Port 3 | * |
| IRQ11 | Serial Port 4 | * |
| IRQ12 | Mouse | * |
| IRQ13 | Math Coprocessor | * |
| IRQ14 | Hard Disk Controller#1 | * |
| IRQ15 | USB | * |

| DMA Mapping | | |
|--------------------|------------------------|--------------|
| DMA# | Description | Usage |
| DMA0 | | |
| DMA1 | | |
| DMA2 | Floppy Disk Controller | |
| DMA3 | | |
| DMA5 | | |
| DMA6 | | |
| DMA7 | | |

2.6 Watchdog Timer

There are two watchdog timers in Vortex86SX/DX CPU. One is compatible with M6117D watchdog timer and the other is new. The M6117D compatible watchdog timer is called WDT0 and new one is called WDT1.

We also provide DOS, Linux and WinCE example for your reference. For more technical support, please visit: <http://www.dmp.com.tw/tech> or download the PDF file:

<http://www.dmp.com.tw/tech/vortex86dx/>

2.7 GPIO (General Purpose Input / Output)

40 GPIO pins are provided by the Vortex86SX/DX for general usage in the system. All GPIO pins are independent and can be configured as inputs or outputs, with or without pull-up/pull-down resistors.

We also offer DOS, Linux and WinCE example for your reference. For more technical support, please visit: <http://www.dmp.com.tw/tech> or download the PDF file: <http://www.dmp.com.tw/tech/vortex86dx/>

2.8 SPI flash (Serial Peripheral Interface)

As SPI Flash (Serial Peripheral Interface) offers many benefits including: reduced controller pin count, smaller and simpler PCBs, reduced switching noise, less power consumption, and lower system cost

Many of users may consider using a formatted SPI flash to boot for the system or emulate SPI flash as Floppy (A: Driver or B: Driver). Then you must know how to set for this condition in CMOS Setup and boot up under DOS 6.22, X-DOS, DR-DOS and Free DOS.

For more technical support, please visit: <http://www.dmp.com.tw/tech> or download the PDF file: <http://www.dmp.com.tw/tech/vortex86dx/>

Chapter 3

Driver Installation

VGA

The Vortex86SX processor also use external Display chip ""Volari™ Z9s" which is an ultra low powered graphics chipset with total power consumption at around 1-1.5 W. It is capable in providing VGA display output upto 1600x1200. With DVO interface, developers could easily connect flat Panel to support TFT and LVDS output.

LAN

The Vortex86SX processor integrated 10/100Mbps Ethernet controller that supports both 10/100BASE-T and allows direct connection to your 10/100Mbps Ethernet based Local Area Network for full interaction with local servers, wide area networks such as the Internet.

I/O and IRQ settings can be done by software with the supplied utility software, or it can be set for Plug and Play compatibility. The controller supports: Half / Full-Duplex Ethernet function to double channel bandwidth, auto media detection.

Operating system support

The Vortex86SX-6114-V2 Tiny CPU board provides the VGA and LAN drivers for DOS 6.22 Windows CE 5.0 and Windows Embedded CE 6.0. Please get the drivers from the Driver CD which attached with the standard packing of Vortex86SX-6114-V2 board or please get it from DMP official website: <http://www.dmp.com.tw/tech/vortex86sx/> .

Vortex86SX-6114-V2 also supports most of the popular Linux distributions, for more detail information, please visit DMP official website: <http://www.dmp.com.tw/tech/vortex86sx/>.

Appendix

A. LVDS Flat Panel Support

| Size | Brand | Resolution | Model No. |
|-------|------------|------------|----------------|
| 3.5" | PVI | 640x480 | PD035VL1 |
| 5" | PVI | 640x480 | PD050VL1 |
| 6.5" | AUO | 640x480 | G065VN01 |
| 8.4" | AUO | 800x600 | G084SN03 |
| 8.9" | AUO | 1024x600 | A089SW01 |
| 8.9" | CPT | 1024x600 | CLAA089NA0ACW |
| 8.9" | HannStar | 1024x600 | HSD089IFW1 |
| 10" | HannStar | 1024x600 | HSD100IFW1-A00 |
| 10.4" | MITSUBISHI | 800x600 | AA104SG01 |
| 10.4" | AUO | 800x600 | G104SN02 |
| 10.4" | Sharp | 800x600 | LQ104S1LG61 |
| 12.1" | MITSUBISHI | 800x600 | AA121SL03 |
| 12.1" | AUO | 800x600 | G121SN01 |
| 15" | AUO | 1024x768 | G150XG01 |
| | | | |
| | | | |
| | | | |
| | | | |
| | | | |
| | | | |
| | | | |
| | | | |

B. Flat Panel Wiring and Lighting

■ Hardware

Before you connect the LVDS LCD Flat Panel with Vortex86SX-6114-V2, please make sure that the input Voltage of LCD is +3.3V or Not

■ BIOS

Please contact or e-mail our regional sales to get the special BIOS for any LVDS LCD Flat Panels.

■ Wiring LCD Cable

Please refer to [Page 15 \(J22: LVDS connector\)](#) and [Page 23~24](#). Or for more LCD lighting and integration service, please contact our regional sales or mail to info@icop.com.tw, if you have any questions.

C. TCP/IP library for DOS real mode

DSock is a TCP/IP library for DOS real mode, which is used by RSIP. It provides simple C functions for programmer to write Internet applications. ICOP also provide Internet examples using DSock: BOOTP/DHCP, FTP server, SMTP client/server, HTTP server, TELNET server, Talk client/server, etc.

DSock provides a lot of example source code. Programmer can add Internet functions to their project easily and save development time. With a utility "MakeROM", programmer also can make a ROM image to fit their application, those examples can be seen in the following Application systems: Mity-Mite Serial Server, Web Camera Tiny Server and RSIP Serial Server.

DSock is free for All ICOP products using M6117D/Vortex86/Vortex86SX/Vortex86DX CPU and ICOP also provide the business version of DSock for those customers who are using other x86 CPUs.

If you would like to use DSock or business version of DSock, Please mail to info@icop.com.tw or contact your regional sales.

Please download the trial DSock software and Utilities from our website:

<http://www.dmp.com.tw/tech/dmp-lib/dsock/>

D. BIOS Default setting

If the system cannot be booted after BIOS changes are made, Please follow below procedures in order to restore the CMOS as default setting.

- Press “End” Key, when the power on



- Press to enter the AMI BIOS setup
- Press “F9” to Load Optimized Defaults
- Press “F10” to Save configuration changes and exit setup

Warranty

This product is warranted to be in good working order for a period of one year from the date of purchase. Should this product fail to be in good working order at any time during this period, we will, at our option, replace or repair it at no additional charge except as set forth in the following terms. This warranty does not apply to products damaged by misuse, modifications, accident or disaster. Vendor assumes no liability for any damages, lost profits, lost savings or any other incidental or consequential damage resulting from the use, misuse of, originality to use this product. Vendor will not be liable for any claim made by any other related party. Return authorization must be obtained from the vendor before returned merchandise will be accepted. Authorization can be obtained by calling or faxing the vendor and requesting a Return Merchandise Authorization (RMA) number. Returned goods should always be accompanied by a clear problem description.