

VOX-090-TS Series



Specifications

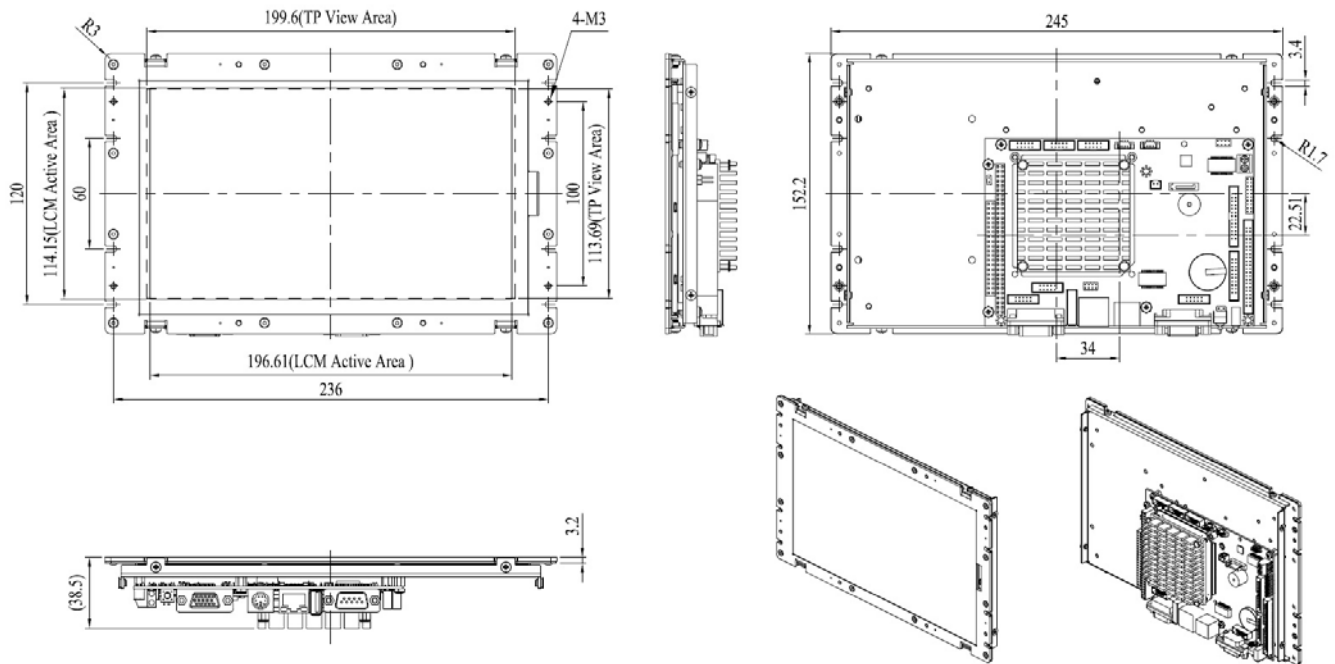
Processor	DM&P SoC Vortex86DX2-800MHz / Vortex86DX3-1GHz L1:I/D-Cache 16/16KB, L2: 256KB		
LCD	9" WSVGA TFT LCD with resolution 1024 (W) x 600 (H), 300 nits and resistive touch screen		
Expansion	PC/104		
BIOS	AMI BIOS		
System Memory	512MB / 1GB/ 2GB DDR3 Onboard		
LAN	Integrated 10/100Mbps Ethernet x1 and Giga Ethernet x2		
Disk Support	SATA DOM / 2.5" HDD(Optional)		
I/O	USB2.0 x4	16-bit GPIO	RS232/485 x4
Programmable	Printer x1 VGA x1	MIC-in x1 10/100Mbps Ethernet x1	Line-out x1 10/100/1000Mbps Ethernet x2
Connectors	SATA 7pins for SATA x1 2.0mm 19-pin header for VGA x1 2.0mm 8-pin header for Giga Ethernet x2 1.25mm 4-pin wafer for Line-out/Mic-in x2 External D-Sub 15-pin female for VGA x1	2.0mm 26-pin header for Printer x1 2.0mm 10-pin header for USB x2 2.54mm 4-pin header for DC-in x1 External RJ-45 connector for Ethernet x1 External D-Sub 9-pin male for RS232 x1	2.0mm 20-pin header for 16-bit GPIO x1 2.0mm 10-pin header for RS-232 x3 2.54mm 2-pin header for Hardware Reset x1 External Mini DIN for PS/2 KBD/MS x 1
Power Connector	2-pin Green Terminal / PC/104 connector for +5VDC power input		
Power Requirement	+5VDC Power Input		
Power Consumption	20Watt (Maximum)		
Operating Temperature	0°C to +50°C -20°C to +60°C (Option)		
Dimension	245 x 152.2 x 38.5mm		
Weight	1.07 Kg		
O/S Support	Windows Embedded Standard 7 Linux FreeBSD	Windows Embedded Standard 2009 Buildroot DOS	Windows Embedded Compact 7 POS Ready (WePOS) QNX

Ordering Information

Part Number	Description
VOX-090-TS-D2	9" Open Frame with LCD/TS/PS2 TS Controller/Cables/VDX2-6526-512-T/+5VDC power input
VOX-090-TS-D3	9" Open Frame with LCD/TS/PS2 TS Controller/VDX3-6726-1G-T/+5VDC power input
CABLE-SET-6726 (Option)	CABLE SET for VDX3-6726-1G-T
POWER-20W-3PIN-X-2P & POWERHEAD-US/EU (Option)	+5V/4A Power Adapter

VOX-090-TS Series

Dimension



I/O Overview

