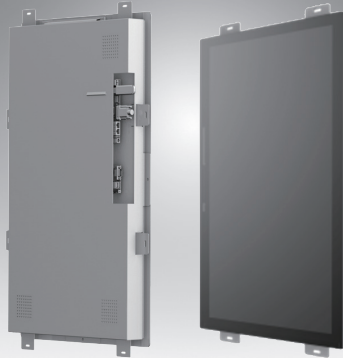


UTC-232

32" Open-frame panel PC
UTC-232D with Intel® Celeron® J1900
UTC-232F with Intel® Core™ i5-6300U
UTC-232G with Intel® Pentium® N4200

NEW



Features

- Available for embedded into kiosk chassis and wall mount type
- One-piece and fan-less design
- Rich screen size and core from UTC series
- Rich IO for extensional peripherals connection
- Built-in Intel® Celeron® J1900 (UTC-232D)
- Built-in Intel® Core™ i5-6300U (UTC-232F)
- Built-in Intel® Pentium® N4200 (UTC-232G)
- Providing Natural Viewing Experience with 32" Display
- Could be take as monitor only

CE FCC

Introduction

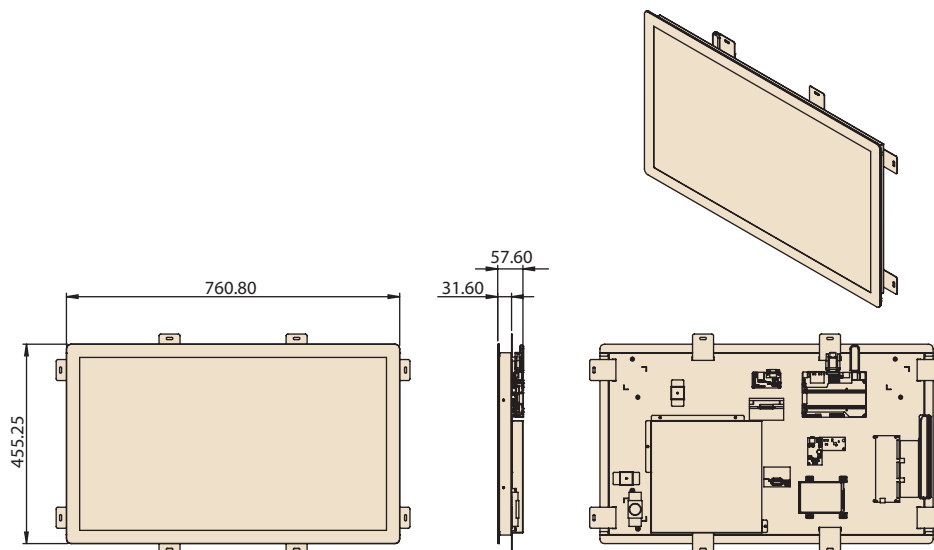
UTC-232 features one-piece solution and fan-less design that easy to embedded into kiosk chassis or wall mount type. Continuation of the advantage from UTC series, It is easy to integrate key peripherals and display systems for diversified self-service and interactive signage deploy in different application areas. The systems deliver updated information with well-designed interactive interfaces, fully ensure relevant content and targeted promotions are delivered.

Specifications

Processor System	CPU	Intel® Celeron® J1900 (UTC-232D)	Intel® Core™ i5-6300U (UTC-232F) Intel® Core™ i3-6100U (Available)*	Intel® Pentium N4200 (UTC-232G) Intel® Atom E3950 (Available)*
	Base Frequency	2 GHz (Quad-Core)	2.4GHz (Dual-Core)	1.1 GHz (N4200/Quad-Core) 1.6 GHz (E3950/Quad-Core)
	Cache	L2 Cache 2MB	L3 Cache 3MB	L2 Cache 2MB
	Memory	1 x SO-DIMM DDR3L 1333 MHz up to 8 GB	2 x SO DIMM DDR3L 1600MHz up to 16 GB	1 x SO-DIMM DDR3L 1867 MHz
	Storage	1 x 2.5 internal SATA HDD bay	1 x 2.5 internal SATA HDD bay	1 x 2.5 internal SATA HDD bay
	Network (LAN)	2 x Gigabit Ethernet ports (Supports Wake on LAN)		
	I/O ports	2 x RS-232 COM (RS-422/485)* 3 x USB 2.0 / 1 x USB 3.0 2 x Gigabit Ethernet (RJ-45) 1 x VGA 1 x HDMI Audio Line-out x 1, Mic-in x 1	2 x RS-232 COM (RS-422/485)* 2 x USB 2.0 / 2 x USB 3.0 2 x Gigabit Ethernet (RJ-45) 1 x VGA 1 x HDMI Audio Line-out x 1, Mic-in x 1	2 x RS-232 COM (RS-422/485)* 2 x USB 2.0 / 2 x USB 3.0 2 x Gigabit Ethernet (RJ-45) 1 x VGA 1 x HDMI Audio Line-out x 1, Mic-in x 1
	Stereo Speaker	10W x 2 (optional)		
	Bus expansion	Full-size MiniPCIe/mSATA		
	Dimensions (W x H x D)	32": 760.80 x 455.25 x 57.6(mm)		
Weight	32": 15kg			
OS Support		Embedded Windows 7/Embedded Windows 8/ Window 10 IoT Enterprise/Linux Ubuntu 14.04/ Android 4.4.2	WES 7P 32bit WES 7E 32bit Windows Pro Embedded 7 SP1 64bit WE8S 64bit Windows Embedded 8.1 Industry Pro 64bit Win 10 IoT Enterprise Linux Ubuntu 16.04	Win 10 IoT Enterprise Android 6.0 Linux Ubuntu 17.04
Environmental Specifications	Operating Temperature	0 ~ 40° C (32 ~ 104° F)		
	Relative Humidity	10 ~ 95% @ 40° C non-condensing		
	Vibration	0.5G		
	Shock	5G peak acceleration (11 msec. duration)		
	EMC/ Safety	CE, FCC		
Power Supply	Input Rating	12 V/7 A (84 W ITE Adapter)		
	Power consumption	Typical 45W Max. 65W		
LCD Display	Size/Type	32" TFT LCD with LED backlight		
	Max. Resolution	32": 1920 x 1080		
	Max. Color	16.7M		
	Pixel Pitch (um)	32": 363.75 x 363.75		
	Brightness (cd/m²)	300 (Optional 400)		
Touch Screen Option (PE/RE/GE)	Type	Projected Capacitive. Analog Resistive 5-wires / Glass Panel		
	Light Transmission	80% ± 2% / 80% ± 5% / 90%		
Controller	USB Interface / USB Interface / -			

Dimensions

Unit: mm



Ordering Information

Part No.	Description
UTC-232DP-AT00E	32" P T/S, Celeron J1900, 4GB RAM, Open-frame
UTC-232FP-AT00E	32" P T/S, Core i5 6300U, 4GB RAM, Open-frame
UTC-232GP-AT00E	32" P T/S, Pentium N4200, 4GB RAM, Open-frame