

# TREK-306P2

## 10" In-Vehicle Smart Display



### Features

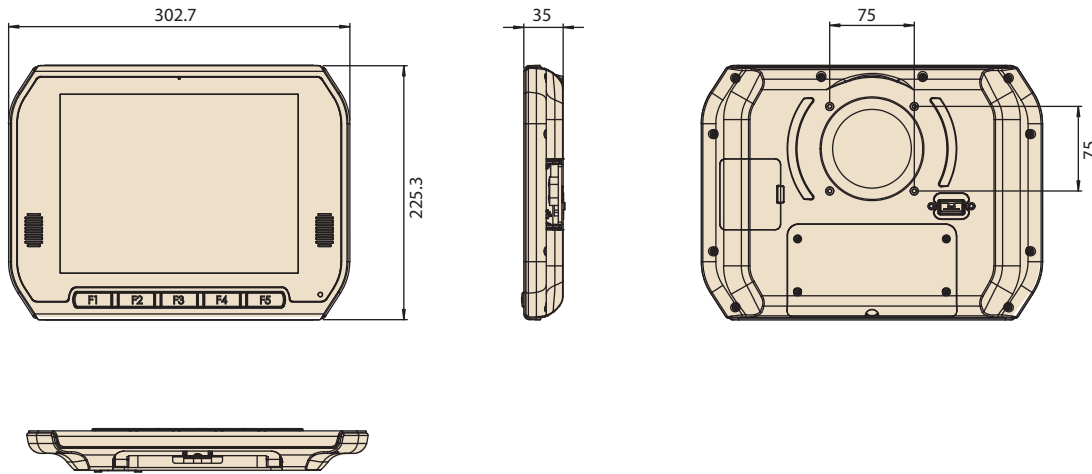
- Vehicle-grade 10" (4:3) XGA TFT LCD with projected capacitive touchscreen
- 1000 nits High brightness/ 500 nits brightness
- Five user-programmable function keys
- one Mic-in
- Two 2-watt speakers
- Built-in light sensor for automatic dimming
- Easily installed and paired with TREK computing box via a single-cable connection
- Extended I/O ports (USB 2.0 Type A, power button and reset button) for easy TREK computing box maintenance
- Wide working temperature range (-30 ~ 70 °C)
- Smart Display port 2.0, smaller connector, thinner cable, longer length and easy connect/disconnect

### Specifications

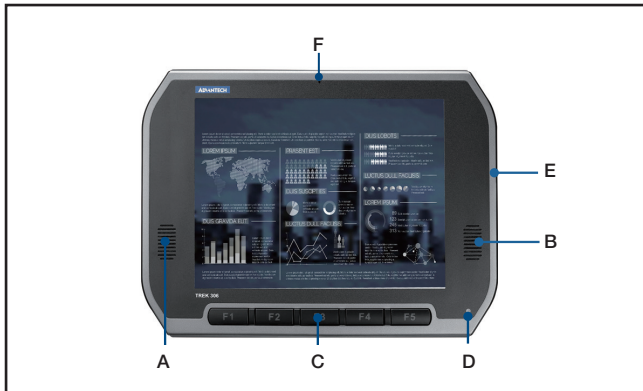
LCD	Display	10.4"
	Resolution	XGA (1024x768)
	Design Compatible Models	TREK676
	Video Interface	Single Channel, 24bit LVDS
	Pixel Pitch	500nits 0.0685 (H) x 0.2055 (V) / 1000 nits 0.0685 (H) x 0.2055 (V)
	View Angle (H/V)	500nits: 176(H)/ 176(V) (CR>10) Super MVA technology 1000 nits: -80-80°(H) -80-80° (V)
	Contrast Ratio	500nits : 1000, 1000 nits : 700
	Backlight Type	LED
	Brightness (cd/m <sup>2</sup> )	500nits standard / 1000nits optional , 50K/100K Hrs backlight life
	Light Sensor	MRM SDK Support: LightSensor
Thermal Sensor	MRM SDK Support: Thermal Sensor	
Front Panel	Speaker	Built-in 2-Watt Speaker x2pcs
	Mic	Built-in one mic
	Hot Keys	5 x programmable function keys with green LED; MRM SDK Support: HotKey (LED duty, key status,function programming)
	Brightness Control	1 x built-in light sensor for auto-dimming implementation
Touchscreen	Size	10.4" (4:3) format
	Type	10 Fingers projected capacitive touchscreen
	Transparency	87% ±2%
	Hardness	≥ 7H (JIS K5400)
	Impact Resistance	Impact energy: 2.0 Joule IK Rating: meet IK 07
I/O	Smart Display Port 2.0	By High Speed Data (HSD) (4+2) Connector Thinner cable for easy installation and maintenance Single cable connection and can support up to 10-meter cable length. Auto detection of display model for display hot plug and resolution setting. (Default: w/o 3xx --> with 3xx) Support stereo audio output interface. (via HDMI) USB 2.0 over SDP 2.0 for easy function/I/O expansion (e.g. NFC, web camera, microphone) on Next Gen. TREK-3xx Support 12V (2A) power output for Next Gen. TREK-3xx
	Integrated MIC	Support Voice call (Echo cancellation) Support Voice Recognition
	USB 2.0 Host	1 x USB 2.0 Host
	Power button	1 x Power button (To power on/off TREK computing box)
	Reset button	1 x Reset button (To Reset TREK- box PC) Can reset the TREK-676/686 during the power on mode Can reset the VPM by pressing reset button 3 times within 5 sec. Can turn on the TREK-676/686 during the power off mode
	DC input	12V /1.5 A (via SDP 2.0 Port)
Power	Power consumption	11W (Nominal), 18W max
	Dimension (H x W x D) mm	303 x 226 x 35 mm
Mechanical	Material	PC
	Weight	1.7 Kg
	Mounting	VESA (75x75mm), RAM Mount
Environment	Operating temp.	-30 to 70 °C
	Storage Temp.	-40 to 80 °C
	Humidity	95 ± 5%
	Fanless	Fanless
	IP rating	IP55 with I/O Cover
Certification	Vibration/Shock	MIL-STD-810G, SAE J1455 4.9.4.2, EN60721-3-5(5M3)
	EMC	CE/FCC/IC/CCC
	Safety	UL/cUL/CB

## Dimensions

Unit: mm

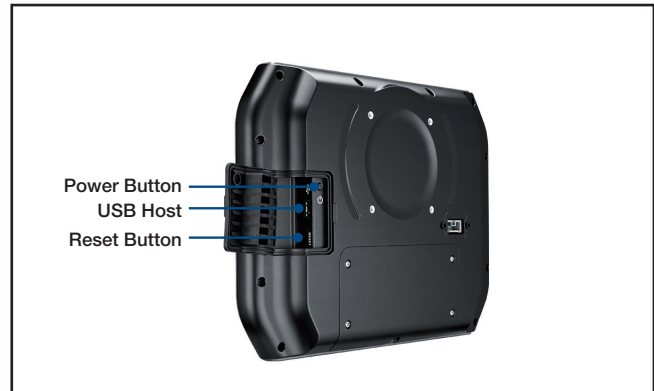


## IO Connectors

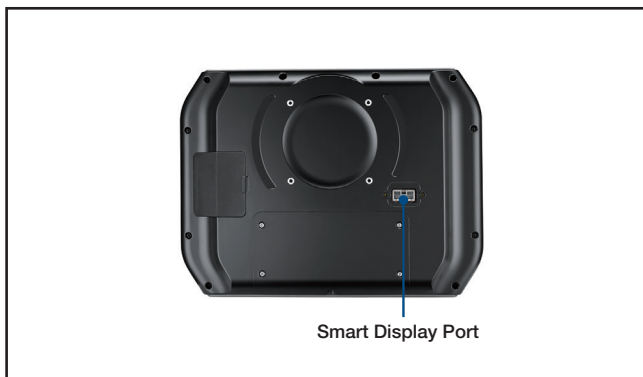


- A. B. Speaker
- C. User-defined hotkeys
- D. Light sensor

- E. Reset, power, USB host (side)
- F. MIC



- Power Button
- USB Host
- Reset Button



Smart Display Port

## Ordering Information

Part Number	Description
TREK-306P-H2A0E	10.4" X VGA in-vehicle Smart Display2.0 , with 5-wire PCAP Touchscreen

## Optional Items

Part Number	Description
RAM-MOUNT-06E	VESA RAM mount w/VESA base (3.625") & 5.625" double socket arm for 1.5" ball base
RAM-MOUNT-07E	5.625" double socket arm for 1.5" ball base