

TPM-3521RW

Arestech

21.5" Aluminum bezel IP65 Protected Industrial Monitor with Resistive Touchscreen



Features

- 21.5" LCD Panel 1920 x 1080 (FHD) Resolution
- IP65 aluminum front cover protection
- Resistive Touch Screen
- Support Display Port/ HDMI / VGA
- DC 12~24V Power input

Applications

- Industrial HMI Display Systems
- ATM / Self-service / Kiosk Applications
- Vending / Ticketing Machines
- Point-of-information Terminals
- Factory / Machine Automation

→ Packing List

Description
1 x TPM-3521
1 x USB Cable
1 x VGA Cable
12 x Panel Mount Screws

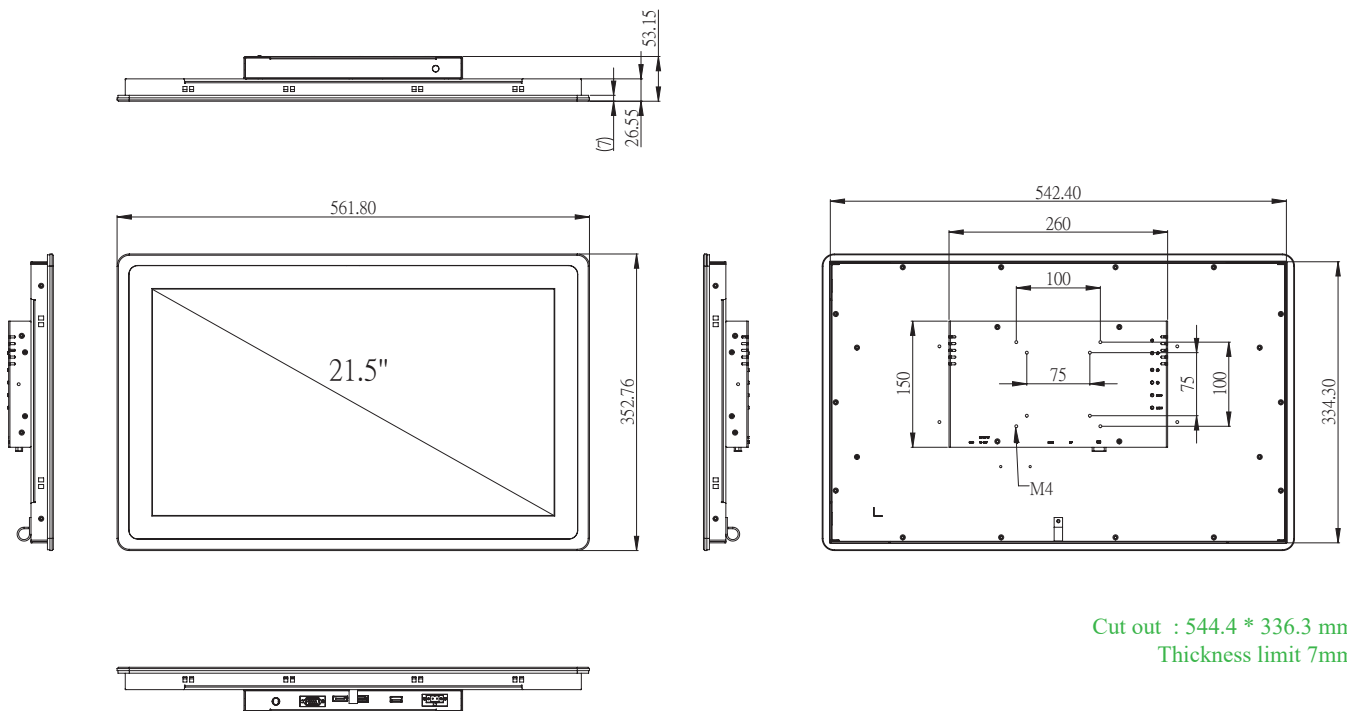
→ Optional Items

Part No.	Description
ACS-PS-US	Power Cable 3-pin, 180 cm, USA Type
ACS-PS-EU	Power Cable 3-pin, 180 cm, Euro Type
ACS-PS-CN	Power Cable 3-pin, 180 cm, China Type
ACS-100-STD	VESA Table Stand

→ Ordering Information

Part No.	Description
TPM-3521RW-A2	21.5" FHD, IP65 Aluminum Flat Panel, Resistive Touch Display

→ Dimensions



→ Specifications

Model		TPM-3521RW-A2
Display	Panel Size	21.5" LCD Panel
	Resolution	1920 x 1080 (FHD)
	Viewing Angle	85 x 85 (H) x 80 x 80 (V)
	Brightness	250 (cd/m ²)
	Color Support	16.7 M
	Contrast Ratio	3000:1
	Response Time	5 (msec)
Touchscreen	Type	Resistive Touch screen
	Surface Hardness	3 Mohs
	Transparency	80% (±3%)
I/O Interface	Video Interface	1 VGA, 1 DP, 1 HDMI
	Touch Interface	USB
OSD Control	Function Keys	5 Keys : Menu, Up, Down, Auto Adjust, Monitor Power on/off
Power	Power Connector	2-Pin Terminal Block
	Power Input	12~24 V DC power input
	Power Consumption (Typical)	1.33A @ 12V (16W)
	Power Adapter	50 W power adapter, with AC 100~240 V input and DC + 12 V @ 4.17A MAX output
Environment	Operating Temperature	0~50°C (32~122°F)
	Storage Temperature	-30~70°C (-22~158°F)
	Humidity	5~95% @ 40°C, Non-condensing
	Vibration	5-500 Hz, 0.026 G ² /Hz, 2.16 Grms, X, Y, Z, 1 hour per axis
General	Certification	CE, FCC Class A
	Ingress Protection	IP65, Aluminum front Bezel
	Dimensions (W x H x D)	561.8 x 352.76 x 53.15 mm (22.11" x 13.88" x 2.09")
	Weight	5.10 kg (11.25 lb)
	Operating System	Windows XP/7/8.1/10, WES7-E/P, WE8S, Linux Fedora, Ubuntu