

ADAM-3656

8-ch Digital Output Module

Caution:

When connecting jumpers or installing the card, you should disconnect the power to prevent surges damaging sensitive electronic components.

Packing List

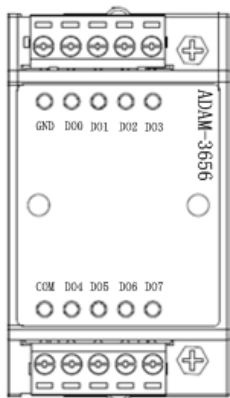
Before installation, please make sure that you have received the following:

- ADAM-3656 Product
- ADAM-3656 Startup Manual

If anything is missing or damaged, contact your distributor or sales representative immediately.

Overview

As an ADAM-3600 Extension I/O, ADAM-3656 provides 8-ch sink type isolated digital output. The digital outputs are open-collector transistor switches that you can control from the ADAM-3600 main unit.



Notes

For more information on this and other Advantech products, please visit our websites at:

<http://www.advantech.com>

For technical support and service:

<http://www.advantech.com/support/>

This startup manual is for ADAM-3656.

Part No: 2003A65600

1st Edition

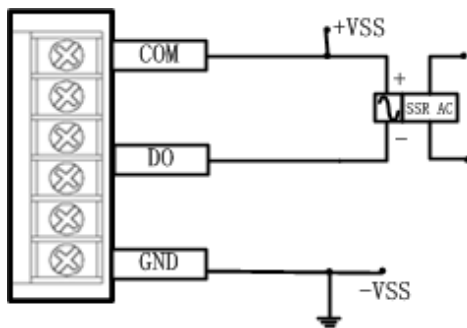
October 2015

Specifications

System Functions

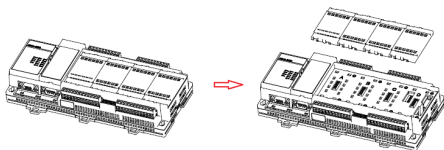
- **Digital Input Channels:** 8
- **Digital Output:** Open Collector
- **Rated Voltage:** 8~30 V_{DC}
- **Rated Current:** 200mA(max.load)/channel
- **Pulse Output Frequency:** 1KHz
- **Over Voltage Protection:** +40 V_{DC}
- **Isolation Voltage:** 2,000 V_{DC}
- **Power Consumption:** 1 w
- **Operating Temp.:** -40 ~ 70°C
- **Warranty:** 2 years

Application Wiring

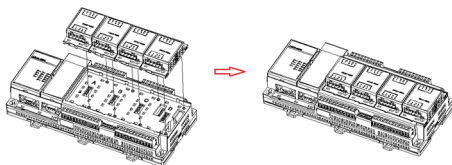


Installation

1. Remove the cover of extension slot on the ADAM-3600



2. Install ADAM-3656 on the extension slot, please note that the connector must be perfectly match, and then fix the two screws.



3. Fix the terminal blocks

