

Panel PC

8.4" Fanless Panel PC



Touch Screen

Feature :
Intel Atom / VIA solution, Fanless, Touch screen, Water Proof, Open-frame design, LED Backlight Panel

Application:
Information Kiosk, POS, Mobile solution, Automation control

Panel PC Information

LCD Panel	AUO
Resolution	SVGA 800 x 600
Brightness (cd/m ²)	450
Contrast Ratio	600 : 1
Backlight	LED
Number of Colors	262144
Touch Screen	TTI 4 wires / Resistive touch screen
Mounting Spec.	VESA 75 / Panel Mount
Panel frame water proof	IP65
Webcam (Option)	5.0 Mega pixel - auto focus
Accessory (Option)	Wall Mount Kit / Stand

Fanless Panel PC :

Panel PC Dimension	65.8 H x 254 W x 190 D mm (For Lex STD M/B)
	58 H x 254 W x 190 D mm (For 3.5" M/B)
Case Dimensions	55.8 H x 249 W x 187.4 D mm (For Lex STD M/B)
	48 H x 225 W x 162 D mm (For 3.5" M/B)
Front Panel Dimension	10 H x 254 W x 190 D mm
Material	Plastics front frame + Aluminum
Weight	1.5 Kg
Storage Space	2.5" HDD
Operation Humidity	5 ~ 90% @ 39 C, non-condensing

M/B information: (Please refer to M/B specification)



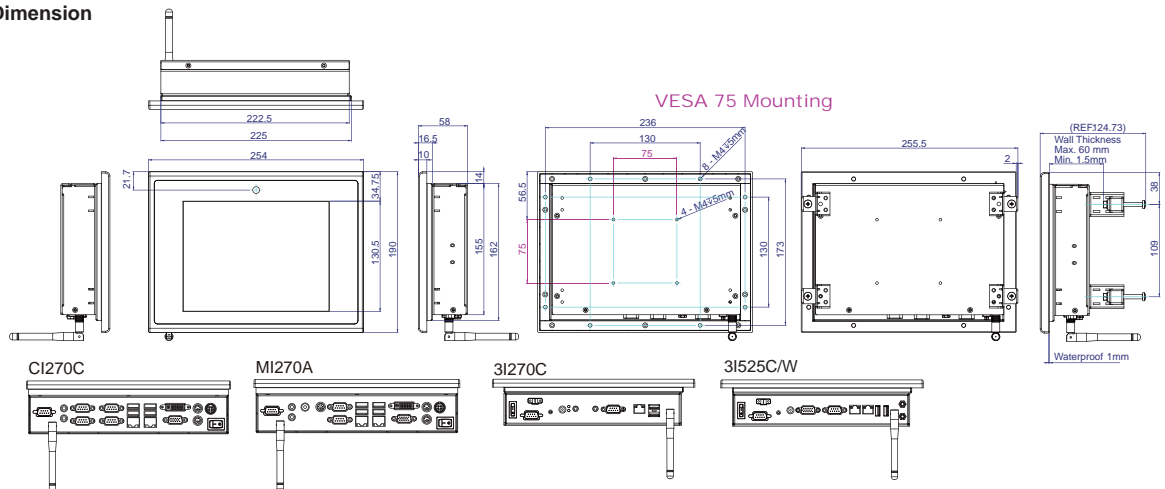
CPU Type	M/B Model	VGA	COM	LAN	USB	Audio	KB/MS	Others	Operation Temp.	
									CF Card	HDD
Intel Atom D525	3I525CW	1	2	2	2	YES	-	-	55°C	45°C
Intel Atom N270	3I270C	-	2	1	2	YES	-	-	50°C	45°C
	CI270CW	1	5	2	4	YES	YES	DVI	55°C	50°C
	MI270AW	1	3	2	4	YES	YES	DVI / TV-Out / Video-In	55°C	50°C
VIA Eden / ULV or C7	3V700C	1	2	1	2	YES	-	-	45°C	45°C

More Functions

Aluminum / Stainless Case	Webcam	Parallel Port	Speaker	USB
DC +6V to +36V	High Brightness Panel	1 ~ 4 Video-IN	Bluetooth	Optional LAN
DIO	3G	Wi-Fi	GPS	H.264 decode

The above available functions outline the possibility with system, for more information please contact us.

Dimension



Car PC
Networking
POS / Automation
DVR
Digital Signage / Thin Client
Embedded System
Panel PC