

## SM-119(P)(R)/VM-2100

19" 5:4 SXGA Touch Monitor



### Key Features

- 19" TFT-LCD SXGA 5:4 Industrial Monitor
- Sunlight Readable monitor High brightness up to 1600 nits
- -10°C to 60°C operating temperature
- 1x VGA, 1x DVI, 1x DisplayPort, 1x USB 2.0, 1x COM, 1x Audio
- 1x Remote Power on/off Connector
- 1x Remote OSD Connector
- 2x 2W internal speakers
- 9~48V DC Input with build-in ignition power control
- Designed with aluminum die-casting front frame
- IP65 compliant front panel
- Support Display Conversion Device (DCD) Technology
- Support Panel Mounting/ VESA Mounting/ Wall Mounting

## Specifications

### Display

- LCD Size: 19" (5:4)
- Max. Resolution: 1280 x 1024
- Brightness (cd/m<sup>2</sup>): 1600
- Contrast Ratio: 1000: 1
- LCD Color: 16.2M
- Viewing Angle (H/V): 170 / 160

### Touch

- Non-Touch  
(SM-119/VM-2100 Only)
- Projected Capacitive Touch  
(SM-119P/VM-2100 Only)
- 5-Wire Resistive Touch  
(SM-119R/VM-2100 Only)

### I/O Ports

- 1x VGA Input
- 1x DVI Input
- 1x DisplayPort Input
- 1x USB 2.0 Port Input
- 1x COM Port Input
- 1x Audio Input
- 1x Remote Power on/off Connector, 2-Pin Terminal Block
- 1x Remote OSD Connector

### Other Features

- 2x 2W Internal Speaker
- OSD: Touch Monitor On/Off, Auto, Menu, Up and Down
- Multi-language OSD
- 1x Internal Speaker on/off Switch
- 1x PC/Car Mode Switch

### Power Requirement

- 1x 3-pin Terminal Block Connector with Power Input 9~48VDC
- Power Ignition Sensing
- 1x Optional AC/DC 12V/7.5A, 90W Power Adapter

### Protection

- Over Voltage Protection (OVP) Up to 52V
- Reverse Voltage Protection (RVP) up to -48V
- Over Current Protection (OCP) 20A

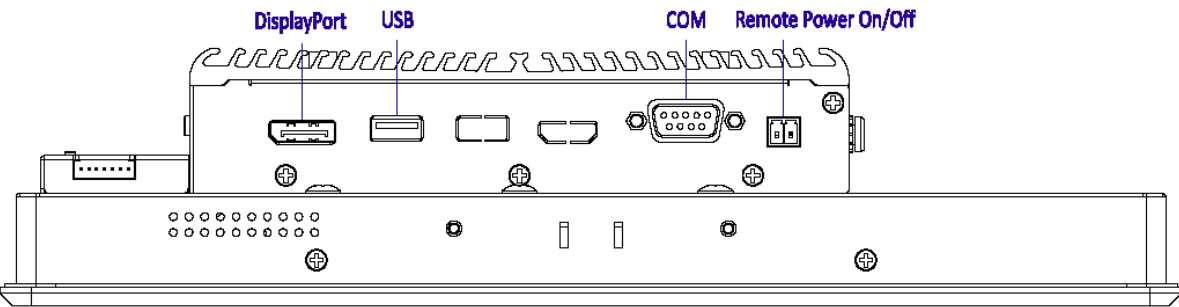
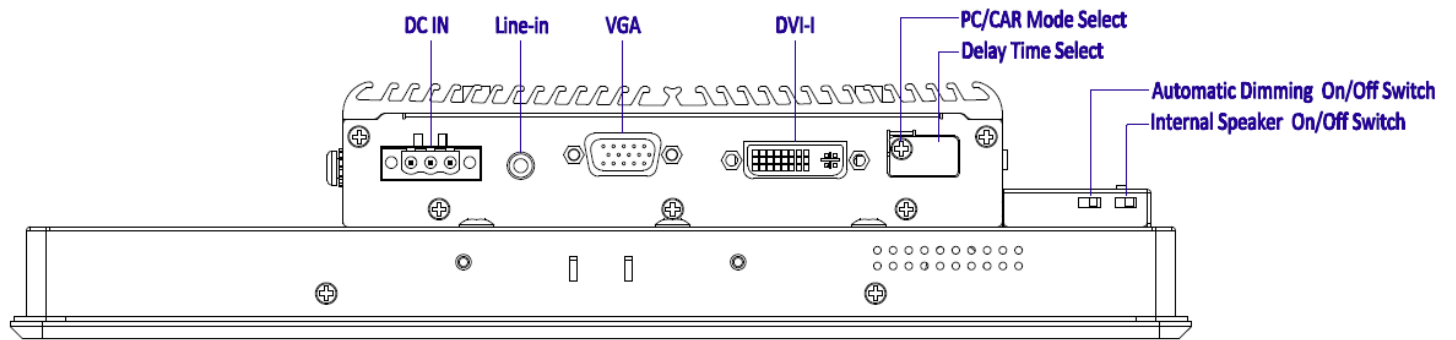
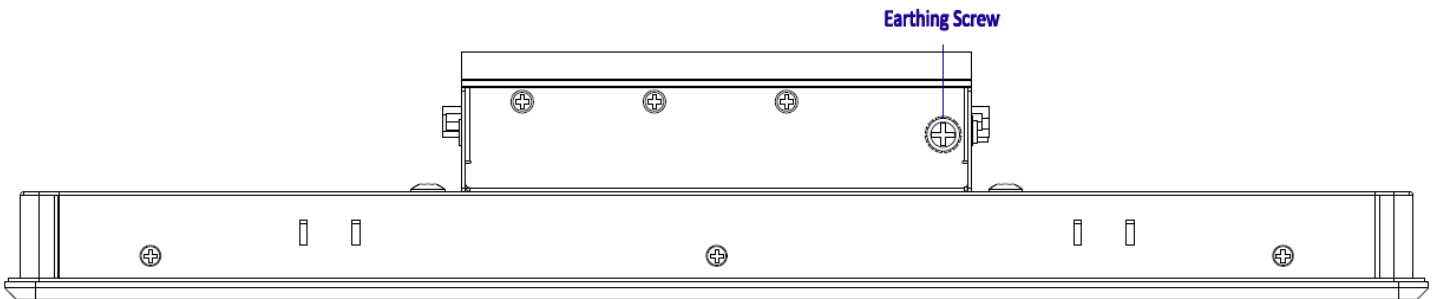
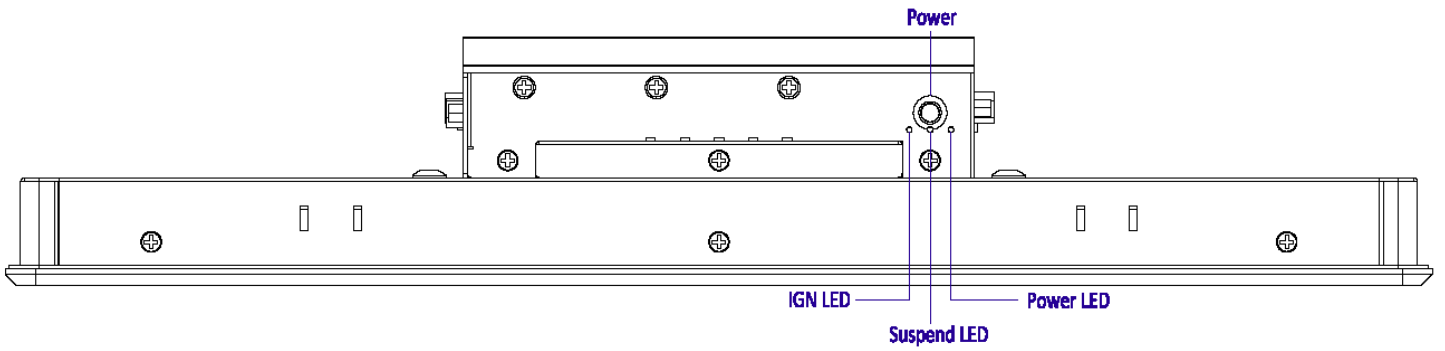
### Environment

- Operating Temperature: -10°C to 60°C
- Storage Temperature: -20°C to 70°C
- Relative humidity: 10~80%
- Shock: 20 Grms, Half-sine 11 ms  
Vibration: 1.5 Grms, 5-500 Hz, 3 Axis
- IP Level: IP 65 Compliant Front Panel

### Physical

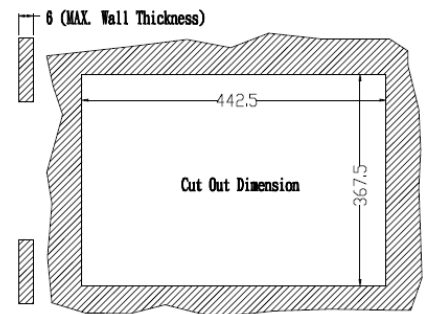
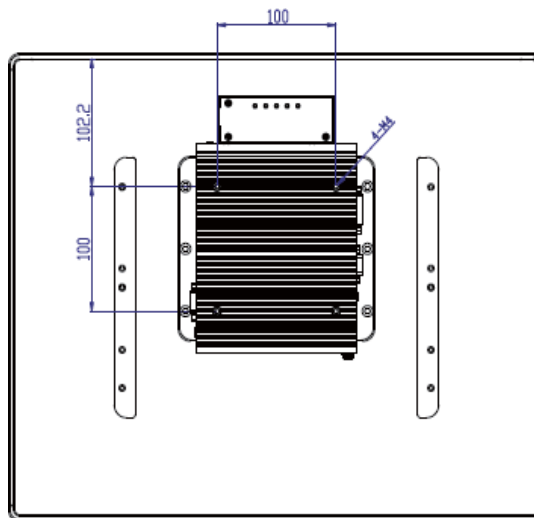
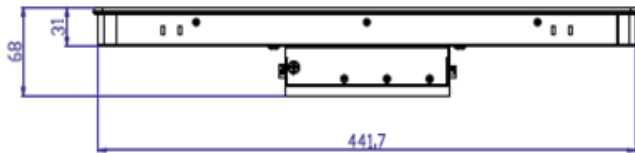
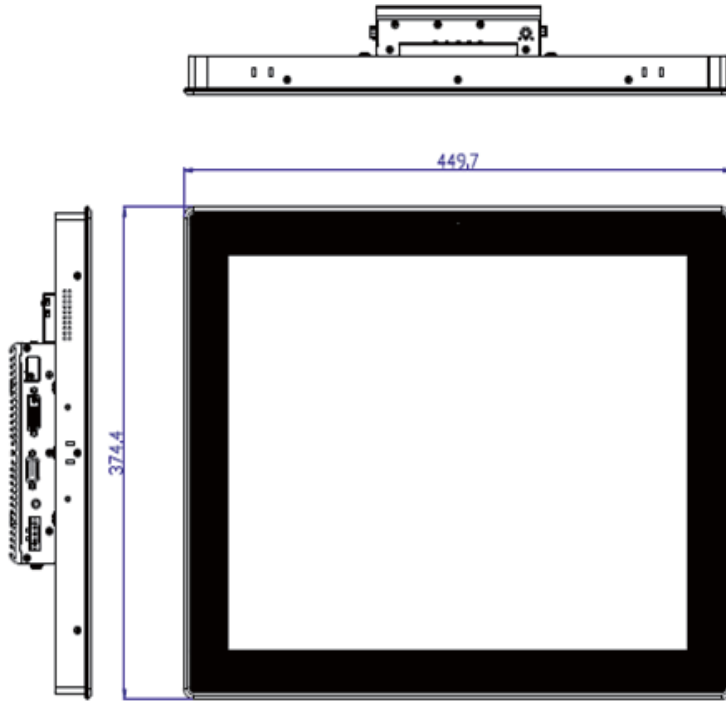
- Dimension (WxDxH): 449 x 374.4 x 68 mm
- Weight: 6.65kg
- Front Panel Construction: Die-cast Flat Surface
- Panel Mounting
- VESA Mounting Holes 100 x 100 mm
- Wall Mounting (Optional)

# External I/O Layout



**Dimension**

Unit: mm



**Available Model**

Model No.	Product Description
SM-119P/VM-2100	19" Capacitive Touch Monitor
SM-119R/VM-2100	19" 5-Wire Resistive Touch Monitor
SM-119/VM-2100	19" Non-Touch Montor

**Optional Accessories**

Model No.	Product Description
GST60A12-GAV	Adapter AC/DC 12V 7.5A 90W with 3pin Terminal Block Plug 5.0mm Pitch
APCNEMA5-15P	Power Cord, 3-pin US Type, 180cm
APCCEE7-7	Power Cord, European Type, 180cm

**Package Checklist**

Item	Product Description	Q'ty
1	SM-119(P)(R)/VM-2100 Industrial Touch Monitor	1
2	Panel Mount Kit	6
3	Screw Pack	1
4	USB Cable	1
5	VGA Cable	1