

SG-3011H User Manual

Introduction

The SG-3011H is a thermocouple input signal conditioner. SG-3011H uses microprocessor-controlled high-resolution 24-bit dual-slope, integrating A/D converter to acquire thermocouple signal and cold junction compensation input. Temperature measurement is performed using the thermocouple linearization and cold junction compensation function. Thermocouple types J, K, T, E, R, S, B, N, C, L, M, L2 (DIN43710) are supported, and a 2 kHz sampling rate is provided for thermocouple input. The power supply that drives the module's input and output circuitry is internally isolated, enabling SG-3011H to offer true channel - to - channel isolation. It is easy to mount the SG-3011H on a standard DIN rail and can operate in environment with wide temperature range.

Specifications

Thermocouple Type:

Thermocouple Type	Temperature Range °C
Type J	-40 ~ +760
	-210 ~ +760
Type K	0 ~ +1000
	-270 ~ +1372
Type T	-100 ~ +400
	-270 ~ +400
Type E	0 ~ +1000
	-270 ~ +1000
Type R	+500 ~ +1750
Type S	+500 ~ +1750
Type B	+500 ~ +1800
Type N	-100 ~ +1300
Type C	0 ~ +2000
Type L	-200 ~ +800
Type M	-200 ~ +100
Type L2 (DIN 43710)	-200 ~ +900

Voltage Output:

- Unipolar: 0~10V
- Output impedance: <500Ω

Current Output:

- Current: 0~20mA
- Current load resistor: 0~450Ω (Source)

General

- Three-way isolation: 1000 Vdc
- CJC offset adjustable
- Open thermocouple detection
- Accuracy: ±0.2% of full scale range
- Operating temperature range: -25°C ~ 75°C
- Storage temperature range: -30°C ~ 85°C

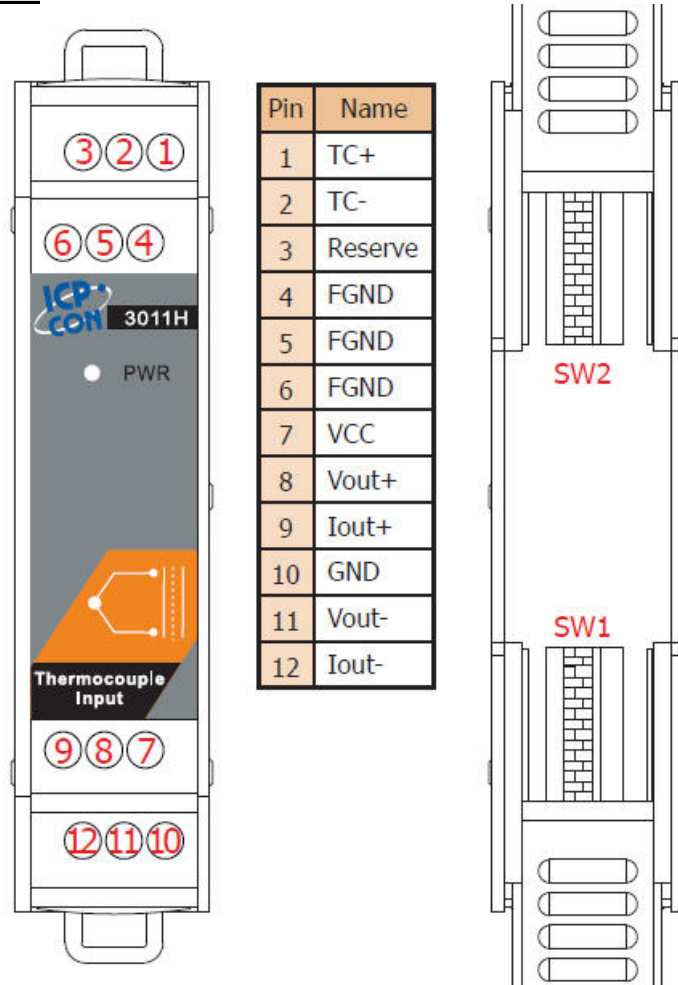
Supply Voltage

- Input range: 10 ~ 30 Vdc

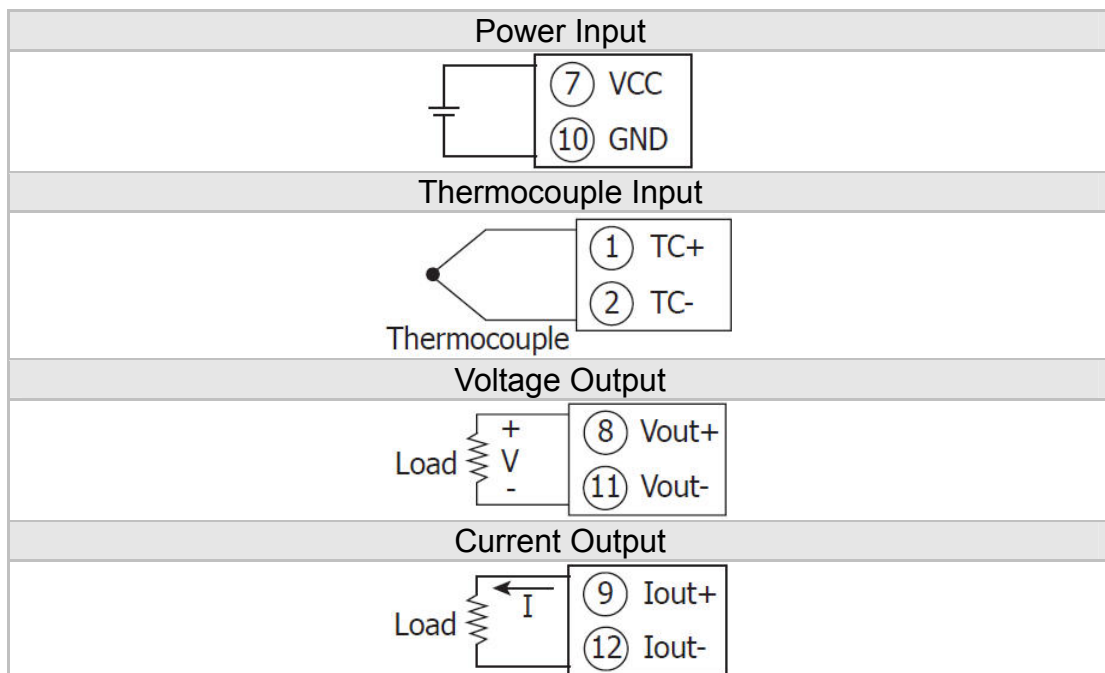
Configuration

“Switch Configuration” shows the switch positions used to configure the input and output range. The I/O configuration switches are located inside the module and can be accessed by removing the DIN-rail bracket covers.

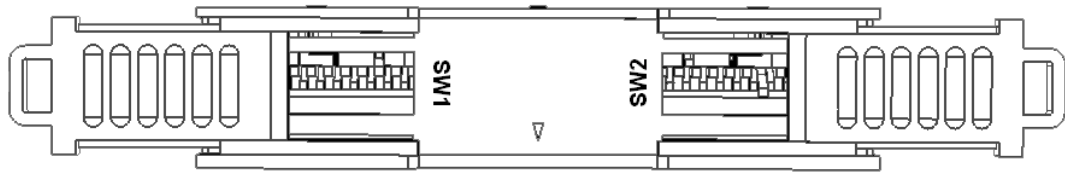
PIN Assignment



Wire Connection

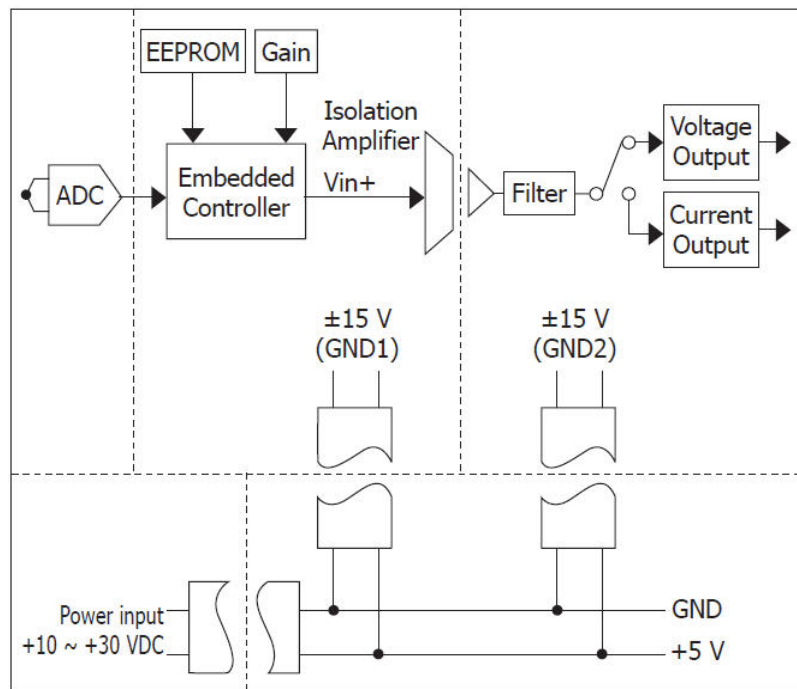


Switch Configuration

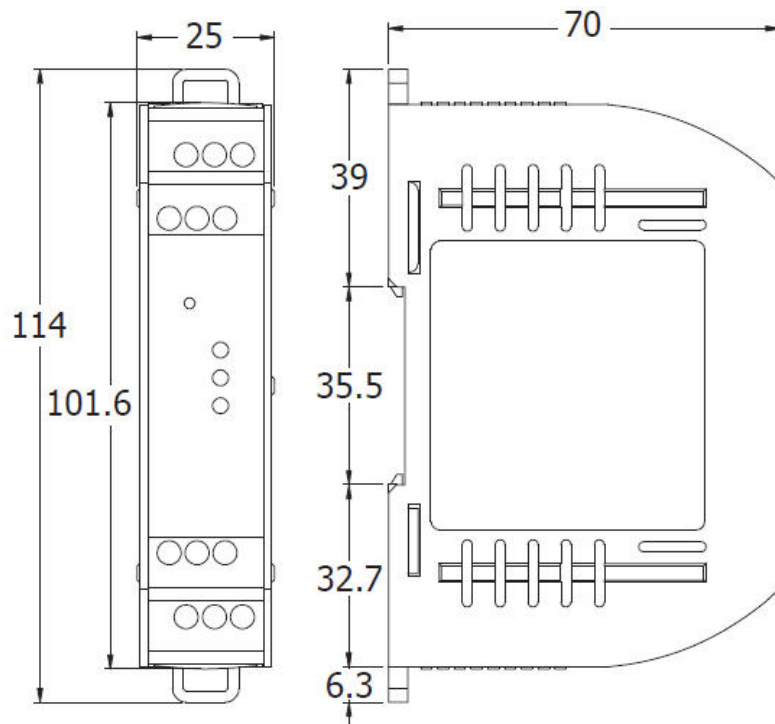


SG-3011H Configuration		SW1-1		SW1-8		CJC Offset Switch (SW2-)								CJC Offset(°C)	
		<input checked="" type="checkbox"/> Open TC:10V/20mA	<input type="checkbox"/> Open TC: 0V/ 0mA	<input checked="" type="checkbox"/> 10 Hz Sampling Rates	<input type="checkbox"/> 2000Hz Sampling Rates										
Switch Setting: <input checked="" type="checkbox"/> ON <input type="checkbox"/> OFF		Type Switch (SW1-)				CJC Offset Switch (SW2-)								CJC Offset(°C)	
TC Type	TC Range(°C)	2	3	4	5	1	2	3	4	5	6	7	8		
J	-40~+760	<input type="checkbox"/>	<input type="checkbox"/>	<input type="checkbox"/>	<input type="checkbox"/>	<input checked="" type="checkbox"/>	<input checked="" type="checkbox"/>	<input checked="" type="checkbox"/>	<input checked="" type="checkbox"/>	<input checked="" type="checkbox"/>	<input checked="" type="checkbox"/>	<input checked="" type="checkbox"/>	<input checked="" type="checkbox"/>	25.4	
K	0~+1000	<input checked="" type="checkbox"/>	<input type="checkbox"/>	<input type="checkbox"/>	<input type="checkbox"/>	<input checked="" type="checkbox"/>	<input checked="" type="checkbox"/>	<input checked="" type="checkbox"/>	<input checked="" type="checkbox"/>	<input checked="" type="checkbox"/>	<input checked="" type="checkbox"/>	<input checked="" type="checkbox"/>	<input type="checkbox"/>	25.2	
T	-100~+400	<input type="checkbox"/>	<input checked="" type="checkbox"/>	<input type="checkbox"/>	<input type="checkbox"/>	⋮								⋮	
E	0~+1000	<input checked="" type="checkbox"/>	<input checked="" type="checkbox"/>	<input type="checkbox"/>	<input type="checkbox"/>	⋮								⋮	
R	+500~+1750	<input type="checkbox"/>	<input type="checkbox"/>	<input checked="" type="checkbox"/>	<input type="checkbox"/>	<input checked="" type="checkbox"/>	<input type="checkbox"/>	<input type="checkbox"/>	<input type="checkbox"/>	<input type="checkbox"/>	<input type="checkbox"/>	<input type="checkbox"/>	<input checked="" type="checkbox"/>	<input checked="" type="checkbox"/>	0.6
S	+500~+1750	<input checked="" type="checkbox"/>	<input type="checkbox"/>	<input checked="" type="checkbox"/>	<input type="checkbox"/>	<input checked="" type="checkbox"/>	<input type="checkbox"/>	<input type="checkbox"/>	<input type="checkbox"/>	<input type="checkbox"/>	<input type="checkbox"/>	<input type="checkbox"/>	<input checked="" type="checkbox"/>	<input type="checkbox"/>	0.4
B	+500~+1800	<input type="checkbox"/>	<input checked="" type="checkbox"/>	<input checked="" type="checkbox"/>	<input type="checkbox"/>	<input checked="" type="checkbox"/>	<input type="checkbox"/>	<input type="checkbox"/>	<input type="checkbox"/>	<input type="checkbox"/>	<input type="checkbox"/>	<input type="checkbox"/>	<input type="checkbox"/>	<input checked="" type="checkbox"/>	0.2
N	-100~+1300	<input checked="" type="checkbox"/>	<input checked="" type="checkbox"/>	<input checked="" type="checkbox"/>	<input type="checkbox"/>	<input checked="" type="checkbox"/>	<input type="checkbox"/>	<input type="checkbox"/>	<input type="checkbox"/>	<input type="checkbox"/>	<input type="checkbox"/>	<input type="checkbox"/>	<input type="checkbox"/>	<input type="checkbox"/>	0.0
C	0~+2000	<input type="checkbox"/>	<input type="checkbox"/>	<input type="checkbox"/>	<input checked="" type="checkbox"/>	<input type="checkbox"/>	<input checked="" type="checkbox"/>	<input checked="" type="checkbox"/>	<input checked="" type="checkbox"/>	<input checked="" type="checkbox"/>	<input checked="" type="checkbox"/>	<input checked="" type="checkbox"/>	<input checked="" type="checkbox"/>	<input checked="" type="checkbox"/>	-0.2
L	-200~+800	<input checked="" type="checkbox"/>	<input type="checkbox"/>	<input type="checkbox"/>	<input checked="" type="checkbox"/>	<input type="checkbox"/>	<input checked="" type="checkbox"/>	<input checked="" type="checkbox"/>	<input checked="" type="checkbox"/>	<input checked="" type="checkbox"/>	<input checked="" type="checkbox"/>	<input checked="" type="checkbox"/>	<input checked="" type="checkbox"/>	<input type="checkbox"/>	-0.4
M	-200~+100	<input type="checkbox"/>	<input checked="" type="checkbox"/>	<input type="checkbox"/>	<input checked="" type="checkbox"/>	<input type="checkbox"/>	<input checked="" type="checkbox"/>	<input checked="" type="checkbox"/>	<input checked="" type="checkbox"/>	<input checked="" type="checkbox"/>	<input checked="" type="checkbox"/>	<input checked="" type="checkbox"/>	<input type="checkbox"/>	<input checked="" type="checkbox"/>	-0.6
L2 (DIN43710)	-200~+900	<input checked="" type="checkbox"/>	<input checked="" type="checkbox"/>	<input type="checkbox"/>	<input checked="" type="checkbox"/>	<input type="checkbox"/>	<input checked="" type="checkbox"/>	<input checked="" type="checkbox"/>	<input checked="" type="checkbox"/>	<input checked="" type="checkbox"/>	<input checked="" type="checkbox"/>	<input checked="" type="checkbox"/>	<input type="checkbox"/>	<input type="checkbox"/>	-0.8
J	-210 ~ +760	<input type="checkbox"/>	<input type="checkbox"/>	<input checked="" type="checkbox"/>	<input checked="" type="checkbox"/>	⋮								⋮	
K	-270 ~ +1372	<input checked="" type="checkbox"/>	<input type="checkbox"/>	<input checked="" type="checkbox"/>	<input checked="" type="checkbox"/>	⋮								⋮	
T	-270 ~ +400	<input type="checkbox"/>	<input checked="" type="checkbox"/>	<input checked="" type="checkbox"/>	<input checked="" type="checkbox"/>	<input type="checkbox"/>	<input type="checkbox"/>	<input type="checkbox"/>	<input type="checkbox"/>	<input type="checkbox"/>	<input type="checkbox"/>	<input type="checkbox"/>	<input checked="" type="checkbox"/>	-25.4	
E	-270 ~ +1000	<input checked="" type="checkbox"/>	<input checked="" type="checkbox"/>	<input checked="" type="checkbox"/>	<input checked="" type="checkbox"/>	<input type="checkbox"/>	<input type="checkbox"/>	<input type="checkbox"/>	<input type="checkbox"/>	<input type="checkbox"/>	<input type="checkbox"/>	<input type="checkbox"/>	<input type="checkbox"/>	-25.6	

Block Diagram



Dimensions



Technical Service

Please E-mail your problem description to service@icpdas.com when you have any questions.
More detail information: www.icpdas.com