

# 19" Marine Bridge System Display

Model # R19L300-MRA1

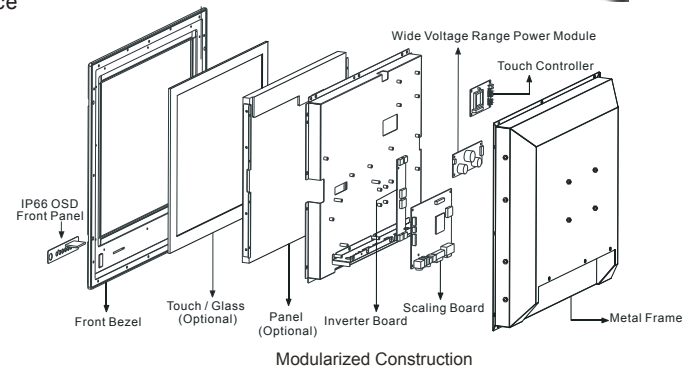
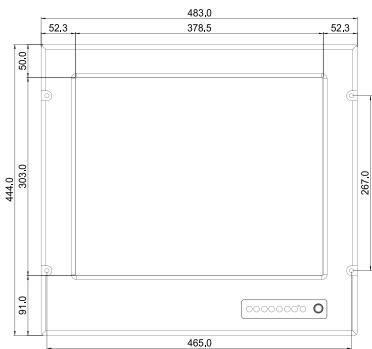
## Features:



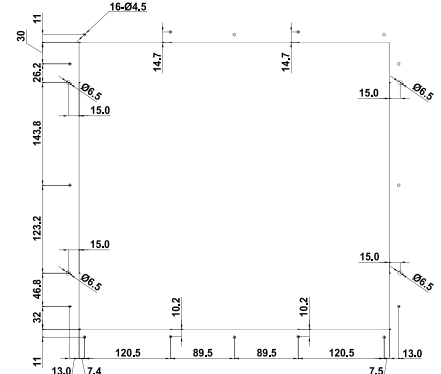
- Hyper Dimming : Dimming knob control backlight brightness from nearly 0% to 100%
- Sunlight Readable : Transflective film technology enhance visibility
- Anti-Corrosion & IP Proof : IP66 aluminum housing with powder coating design (IP54 rear)
- Wide Voltage Range Input : 24 V DC to DC power input acceptable (Isolation Resistance)
- Touchscreen/ Protection Glass : High quality touch screen / AR protection glass for option
- Multiscan Function : PIP(picture in picture) function and multi-video inputs
- IP65 OSD Front Panel Design : Ease of use front panel OSD control
- Anti-Shock and Vibration : Enhanced shock and vibration resistance



## Mechanical Design Drawing

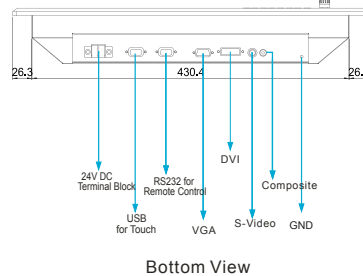
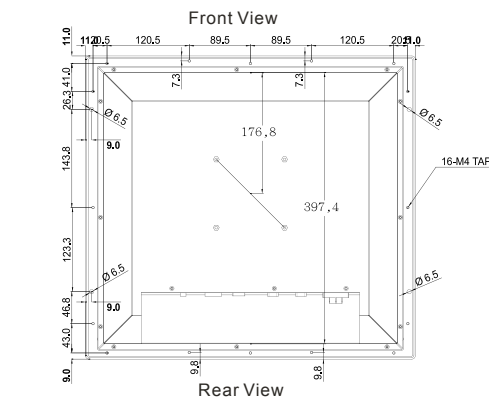


Modularized Construction



All Dimensions are  $\pm 0.5$  mm

\* Note: this is a simplified drawing and some components are not marked in detail. Please contact our sales representative if you need further product information.



Bottom View

## TFT Characteristics:

- Pixel Number : 1280 x 1024
- Pixel Pitch(RGB) : 0.294 (H) x 0.294 (V) mm
- Contrast Ratio : 1000:1(typ.)
- Light Intensity : 400 cd/m<sup>2</sup> (typ.)
- Viewable Angles : -85~85(H); -80~80(V)
- Active Display Area : 376.32 (H) x 301.06(V) mm
- Max Colors : 16.7M (8bit/colors)

## Input Signals:

- RGB Signal : D-SUB 15P connector(female)
- Composite Video : RCA phono plug
- S-Video Signal : S-Video (SVHS) plug
- DVI-D Signal : DVI-D input 24pin connector
- DC Power Signal : Screw terminal block
- AC Power Signal (Optional) : Std IEC Inlet
- Touch Screen (Optional) : USB Connector (female)
- Remote via RS-232 (Optional) : D-SUB 9P connector (female)

## User Controls:

- Power On/Off via front button
- VR Brightness Knob Control
- Power Mode Status LED
- On Screen Display control(OSD)
- OSD Remote Control via RS-232

## Power Specifications:

- Power Supply Options : 24 V DC power supply with Terminal block (Default, Isolation Resistance)
- Power Consumption : 45 W typical, normal operation

## Mechanical and Environmental:

- Mechanical Mounting : Panel (Flush) mount with IP66\*, VESA, Bracket mounting
- Operating Temperature : -15 to 55 deg.C (-20 to 60 deg.C for optional heating)
- Operating Humidity : 5% to 95% (non condensing)
- Anti-Vibration : 5Hz~500Hz / 1 Grms/3 Axis
- Anti-Shock : 15G, 11ms duration
- \* SAW touch for IP54

## Available Options:

- AR Safety Glass Options : 3mm Anti-reflective protection glass
- Transflective Options : Yes (Enhance Visibility)
- Bracket Mounting Options : Yes (One robust bracket can adjust from -10 to 30 deg.)

Certification and Approvals : IEC 60945, DNV 2.4, IACS-E10  
DNV Type Approval, CE, FCC

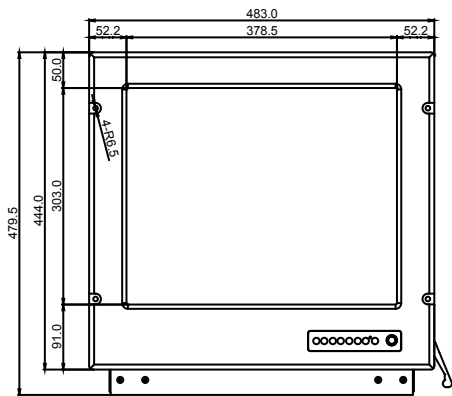


# 19"

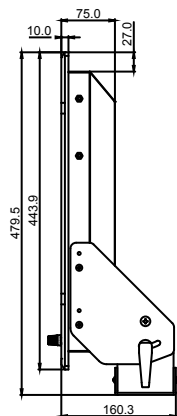
## Marine Bridge System Display

Model # R19L300-MRA1

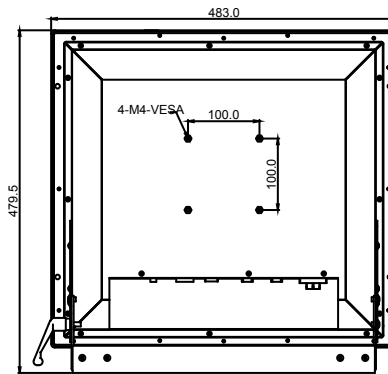
### Mechanical Design with Robust Bracket (options)



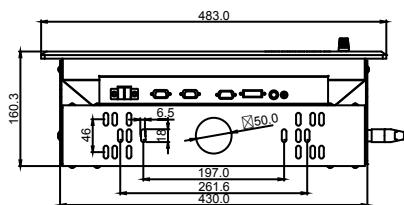
FRONT VIEW



SIDE VIEW

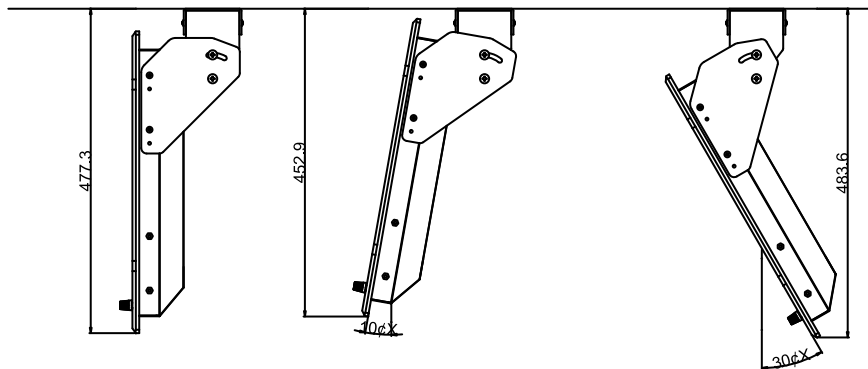


BACK VIEW

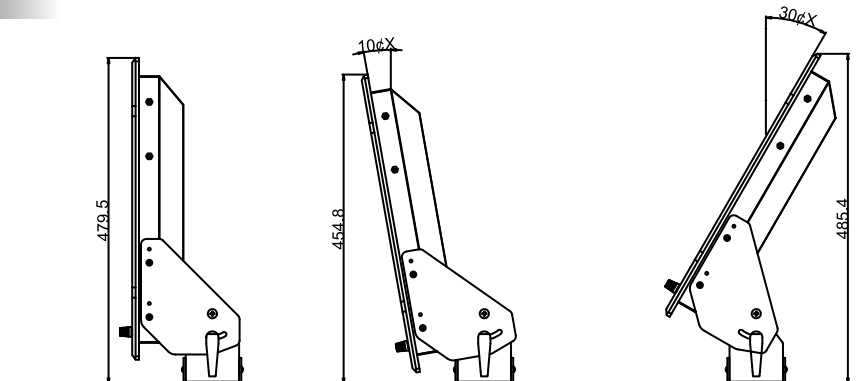


BOTTOM VIEW

### ROOF MOUNT



### STAND ANGLE



All Dimensions are ± 0.5 mm

\* Note: this is a simplified drawing and some components are not marked in detail. Please contact our sales representative if you need further product information.