

R19L100-SPM169-P, 19-inch Stainless P-Series Display

Stainless IP69K with Waterproof Conduit Solutions

Winmate provides 19-inch IP69K Stainless Steel Display with a waterproof conduit pipe for added cable protection. The IP69K series is built to withstand extensive wash downs with corrosion resistance against cleaning agents, especially against close-range high-pressure, high temperature wash downs. The level of protection allows for easy cleaning and sterilization using water with temperatures of up to 80°C and pressure of up to 30 Bar. A custom-built waterproof conduit pipe was also provided for the customer with a cover plate, allowing for an additional layer of protection for the cables.



** Yoke mount Stand kit is an option. accessory.*

Highlights

- Projected capacitive multi-touch screen
- Waterproof Conduit pipe for extra protection
- True flat, easy-to-clean front surface
- IP69K water and dust proof, allows high pressure and high temperature cleaning
- Corrosion resistant stainless housing SUS 304
- Multiple mounting solutions for different scenario applications
- Supports VESA mount, Panel mount and optional Yoke mount stand

R19L100-SPM169-P, 19-inch Stainless P-Series Display

Stainless IP69K with Waterproof Conduit Solutions

Display Specification

Size	19"
Resolution	1280 x 1024
Contrast Ratio	1000:1
Brightness	350 nits
Viewing Angle	-85~85 (H); -80~80(V)
Max Colors	16.7M
Touch	Projected Capacitive Multi-Touch (P-CAP) Anti-glare coating (Optional)

Interface

USB Ports	1 x USB for Touch
HDMI	1 x HDMI input
VGA	1 x VGA

Keyboard and Input

Physical Buttons	5 Keys: -, +, Power, Esc, Enter
LED Indicators	Power & Stand by
Touch	P-Cap

Power Management

Power Input	12V DC input with AC to DC Adapter Optional 9~36V DC input with 3 pin phoenix connector
Power Consumption	23W (typ.)(Max.backlight and high CPU load)
AC Adapter	100~240V AC to 12V DC Adapter

Mechanical Specifications

Dimensions	445 x 370 x 56mm
Cutout	427 x 352mm
Cooling System	Fanless design
Housing	Stainless steel
Mounting	VESA Mount (100x100mm), Panel mount, optional Yoke mount stan

Environment

Operating Temperature	0 °C to 45 °C
Storage Temperature	-10 °C to 60 °C
Operating Humidity	10% to 95% (non condensing)
IP Rating	IP69K

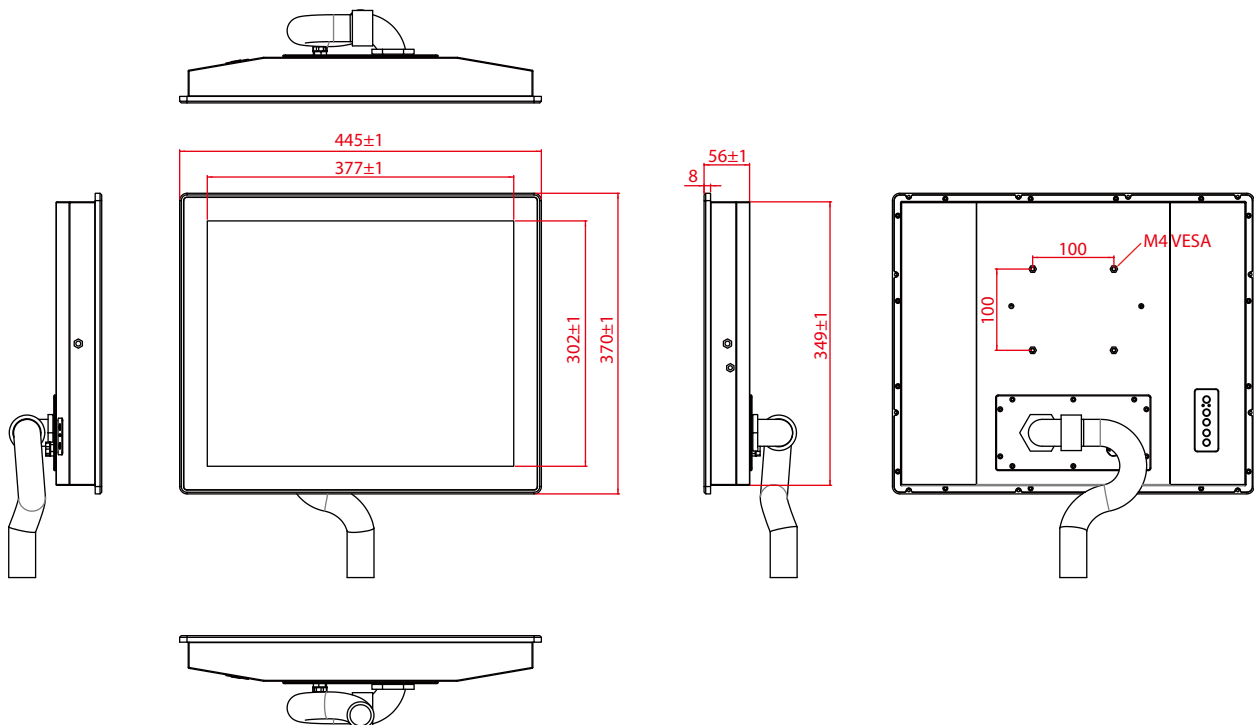
Standards and Certification

EMC	CE, FCC
-----	---------

Accessories

- 1 x Waterproof Conduit 1.5m
- 1 x Elbow for connect the conduit
- 1 x AC to DC power adapter with power cord
- Yoke mount stand kit (Optional)
- Open wire cable for phoenix connector(Default for 9~36V DC input sku)

Drawing



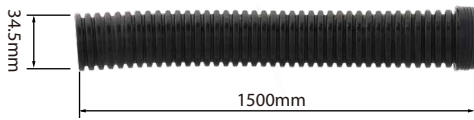
* Yoke mount Stand kit is an option. accessory.

R19L100-SPM169-P, 19-inch Stainless P-Series Display

Stainless IP69K with Waterproof Conduit Solutions

Accessories

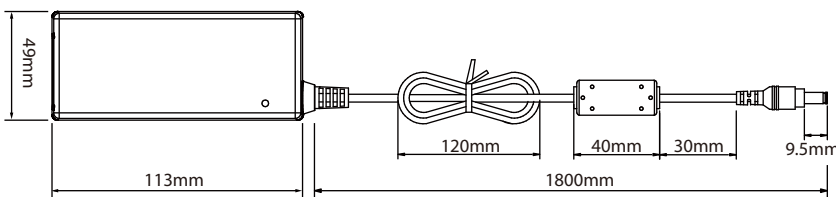
Waterproof Conduit 1.5m



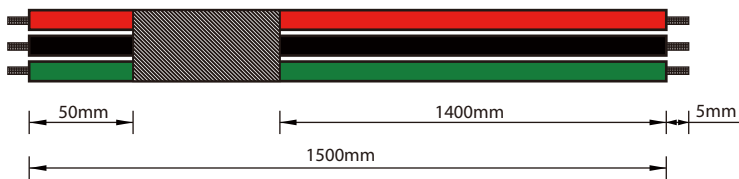
Elbow for connect the conduit



AC to DC power adapter



Open wire cable for phoenix connector(Default for 9~36V DC input sku)



Pin No.	Symbols	Color		Pin No.	Symbols	Color
Open wire 5mm		Red	↔	Open wire 5mm		Red
Open wire 5mm		Black	↔	Open wire 5mm		Black
Open wire 5mm		Green	↔	Open wire 5mm		Green

Yoke mount Stand kit (Optional)

