

R08IP8M-RTU1GP, 8.4-inch Ultra Rugged Tablet

An Ultra Rugged Tablet Built to Handle the Toughest Tasks

The R08IP8M-RTU1GP is an 8.4-inch ultra-rugged tablet with a robust set of features designed to handle the toughest tasks while providing high tech solutions that increase productivity, improve safety, and reduce operational costs. The processing power comes from Intel® Pentium® N4200 Apollo Lake processor in magnesium aluminum housing with protective rubber for military standard ruggedness. The R08IP8M-RTU1GP is a no-nonsense, field ready ultra-rugged tablet that can act as a powerful workstation in an easy to use package.



Highlights

- Intel® Pentium® N4200 Apollo Lake processor
- Alu-Mg alloy housing with protective rubber
- MIL-810G Shock, Vibration and Drop Std.
- Trusted platform module (TPM) V2.0
- Built-in wireless, Bluetooth, GPS
- Optional 4G LTE
- Adjustable Kickstand that is convertible to a handle (Optional)

Order Information			
	WWAN	Kickstand	Barcode
R08IP8M-RTU1GP	4G/LTE (Optional)	N/A	Optional
R08IP8M-RTU1GPKS	4G/LTE (Optional)	N/A	Optional

R08IP8M-RTU1GP, 8.4-inch Ultra Rugged Tablet

An Ultra Rugged Tablet Built to Handle the Toughest Tasks

Display

Size	8.4"
Contrast Ratio	600:1
Resolution	800 x 600
Panel Brightness	600 nits
Viewing Angle	75/75/60/70
Touch	Resistive

System Specification

CPU	Intel® Pentium® N4200 Apollo Lake 1.1 GHz (up to 2.5 GHz)
System Chipset	Intel SOC
System Memory	4GB SODIMM DDR3L-1866 (Max 8GB)
Storage	64GB M.2 SSD (Max 512GB)
Operating System	Windows 10 IoT Enterprise 64bit

Interface

Ethernet LAN	1 x RJ45
COM	1 x RS232/422/485(Thru BIOS Setting)
USB	2 x USB 3.0
Power Input	1 x Power Jack
Memory Card Slot	1 x Micro SD Card Slot
SIM card slot	1 x Micro SIM Card Slot
Audio Connector	1 x Audio Combo Connector (Mic in or Line out)
Sensors	Light sensor

Audio

Speaker	2 x 1 Watt Speaker
---------	--------------------

Cameras (Optional)

Front Camera	2MP
Rear Camera	5MP with autofocus

Wireless Communications

WWAN	Optional 4G (LTE, DC-HSDPA, HSUPA, WCDMA, GSM)
WLAN	802.11 a/b/g/n/ac
Bluetooth	5.0
GPS	u-Blox Neo-M8N, supports GPS (Optional GLONASS, Galileo, BeiDou)

CAN Bus

CAN Bus	Optional CAN Bus Module
---------	-------------------------

Keyboard and Input

Physical Buttons	1 x Power, 1 x Menu, 3 x Function Key, 2 x Brightness Control Key
LED Indicators	Power, Battery, HDD, RF
Touch	Resistive Touch

Data Capture

Barcode	1D/2D Barcode Reader (Optional)
---------	---------------------------------

Mechanical

Dimensions	266 x 220 x 50.5 mm
Weight	2.39kg

Power Management

Power Input	19V DC
Power Consumption	15W
Battery	11.1V, 5200 mAh Lithium-Ion (6cells)
Operating Time	Up to 9 hours (Battery Mark V.4.0.1)
AC Adapter	100-240V, 50-60Hz / 19V DC

Environment Considerations

Operating Temp.	-20°C to 60°C (AC Mode) -10°C to 50°C (Battery Mode)
Operating Humidity	10 % ~ 90% (non-condensing)
IP Proof	IP54
Shock	MIL-STD-810G Method 516.6 Procedure I
Vibration	MIL-STD-810G Method 514.6 Procedure I
Drop	MIL-STD-810G Method 516.6, 4 ft to concrete

Certification

Safety	CE, FCC
--------	---------

Accessories

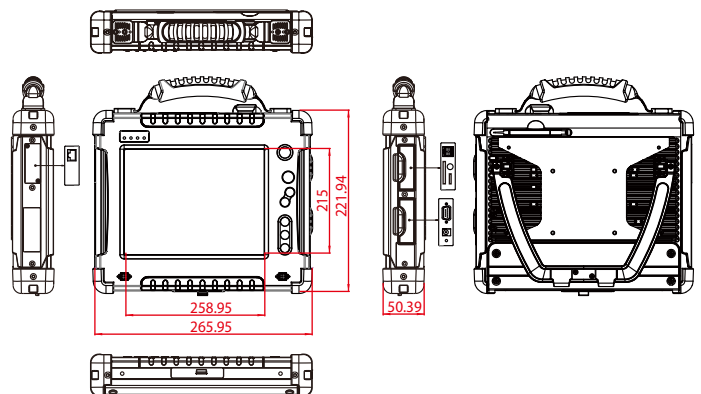
Standard Accessories

Adapter and Power Cord	922D065W19V1
Standard Battery	320412004006
Quick Start Guide	91521110104U
Manual & Driver CD	91711111257
Touch Stylus	9B0000000033

Optional Accessories

Adjustable Kickstand	98KT00A0000S
Multi-functional Desktop Docking Station	99KK00000009
Vehicle Mounting Charger Kit	99KK08400003
Car Power Charger	99KK00000008
Hand Strap	99KK00000001
Shoulder Strap	99KK00000002
Soft Shell Case	9B0000000059
Carry Bag	98K008A0000N

Drawing ²



Do Not Expose the Battery Pack to Excessive Heat, or Extreme Heat (Near Fire, in Direct Sunlight for example)
Do not expose bare skin to this product when handling this unit in extreme hot or cold environments

Caution

1. Measured at dimming LCD brightness. Varies depending on the usage conditions, or when an external device is attached.
2. This is a simplified drawing and some components are not marked in detail.