



# iWSN-1120X Series Quick Start

v1.30, Apr 2019

## What's in box

Without "Quick Start", The package includes the following items:



**iWSN-1120X Series Module**



**Split-core CT**



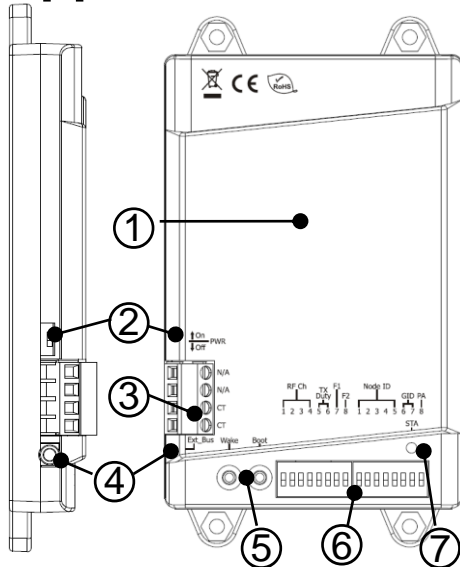
**Rogowski Coil (RCT)**



**Screw Driver (1C016)**

| Module Name             | Split-core CT                 | Rogowski Coil (RCT)            |
|-------------------------|-------------------------------|--------------------------------|
| iWSN-1120X-240-RCT1000P | 8m, $\Phi$ 24mm (200A), 1 pcs | 4m, $\Phi$ 80mm (1000A), 1 pcs |
| iWSN-1120X-360-RCT1000P | 8m, $\Phi$ 36mm (400A), 1 pcs |                                |

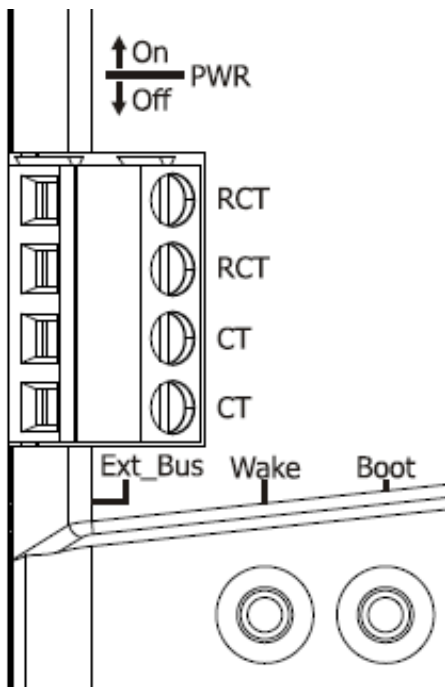
## 1 Appearance



| Number | Instructions                    |
|--------|---------------------------------|
| 1      | Build in PCB antenna            |
| 2      | DIP switch of power             |
| 3      | CT connection terminal          |
| 4      | Extension port                  |
| 5      | Boot and wake button            |
| 6      | DIP switch of parameter setting |
| 7      | LED indicators                  |

# 2 Pin and button

| Switch | Instructions |           |
|--------|--------------|-----------|
| PWR    | ON           | Power on  |
|        | OFF          | Power off |

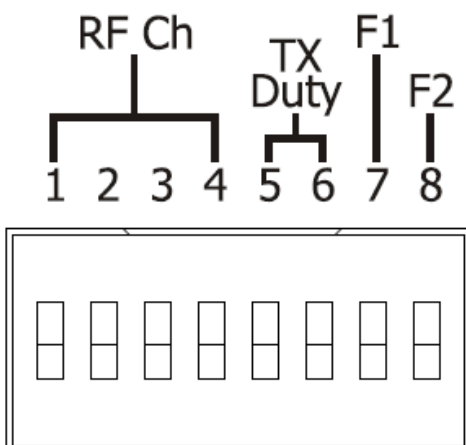


| Pin | Name | Instructions                                                           |
|-----|------|------------------------------------------------------------------------|
| 4   | RCT  | Rogowski Coil (RCT) pin, no directionality, support measuring function |
| 3   | RCT  |                                                                        |
| 2   | CT   | Split-core CT pin · no directionality · support charging function      |
| 1   | CT   |                                                                        |

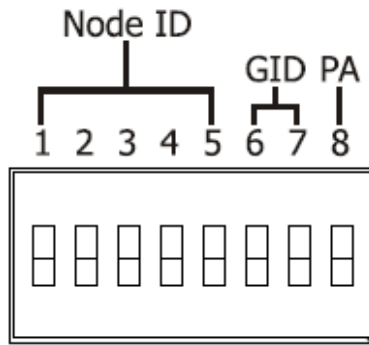
| Extension bus | Instructions                      |
|---------------|-----------------------------------|
| Ext_Bus       | Empty or connect extension module |

| Button | Instructions                                                                                                 |
|--------|--------------------------------------------------------------------------------------------------------------|
| Wake   | Manual wake up                                                                                               |
| Boot   | After pressing for 1~3 seconds, the LED light will be on for 1 second and then off. This mean boot complete. |

# 3 Communication parameter



| Name                            | Instructions                                                                                                                                                                                                                                                                                                                                                                                                                                                                                                                                                                                                                                                                                                                                                                                                                                                                                                                                                                                                                                                                                                                                                                                                                                                                                                                                                                                                                                                                                                                                                                                                                                                                                                                                                                                                                                                                                                                                                                                                                                                                                                                                                                                                                                                                                                                                                                                                                                                                                                                                                                                                                                                                                                                                                                                                                                                                                                                                                                                                                                                                                                                                                                                                                                                                        |                                     |                                     |                          |    |                                     |                                     |                                     |                                     |        |                                     |                          |        |                          |                                     |        |                                     |                                     |   |   |                          |                          |                          |                          |   |                          |                          |                          |                                     |   |                                     |                          |                          |                          |   |                                     |                          |                          |                                     |   |                          |                                     |                          |                          |   |                          |                                     |                          |                                     |   |                                     |                                     |                          |                          |   |                                     |                                     |                          |                                     |   |                          |                          |                                     |                          |   |                          |                          |                                     |                                     |   |                                     |                          |                                     |                          |   |                                     |                          |                                     |                                     |   |                          |                                     |                                     |                          |   |                          |                                     |                                     |                                     |   |                                     |                                     |                                     |                          |   |                                     |                                     |                                     |                                     |
|---------------------------------|-------------------------------------------------------------------------------------------------------------------------------------------------------------------------------------------------------------------------------------------------------------------------------------------------------------------------------------------------------------------------------------------------------------------------------------------------------------------------------------------------------------------------------------------------------------------------------------------------------------------------------------------------------------------------------------------------------------------------------------------------------------------------------------------------------------------------------------------------------------------------------------------------------------------------------------------------------------------------------------------------------------------------------------------------------------------------------------------------------------------------------------------------------------------------------------------------------------------------------------------------------------------------------------------------------------------------------------------------------------------------------------------------------------------------------------------------------------------------------------------------------------------------------------------------------------------------------------------------------------------------------------------------------------------------------------------------------------------------------------------------------------------------------------------------------------------------------------------------------------------------------------------------------------------------------------------------------------------------------------------------------------------------------------------------------------------------------------------------------------------------------------------------------------------------------------------------------------------------------------------------------------------------------------------------------------------------------------------------------------------------------------------------------------------------------------------------------------------------------------------------------------------------------------------------------------------------------------------------------------------------------------------------------------------------------------------------------------------------------------------------------------------------------------------------------------------------------------------------------------------------------------------------------------------------------------------------------------------------------------------------------------------------------------------------------------------------------------------------------------------------------------------------------------------------------------------------------------------------------------------------------------------------------------|-------------------------------------|-------------------------------------|--------------------------|----|-------------------------------------|-------------------------------------|-------------------------------------|-------------------------------------|--------|-------------------------------------|--------------------------|--------|--------------------------|-------------------------------------|--------|-------------------------------------|-------------------------------------|---|---|--------------------------|--------------------------|--------------------------|--------------------------|---|--------------------------|--------------------------|--------------------------|-------------------------------------|---|-------------------------------------|--------------------------|--------------------------|--------------------------|---|-------------------------------------|--------------------------|--------------------------|-------------------------------------|---|--------------------------|-------------------------------------|--------------------------|--------------------------|---|--------------------------|-------------------------------------|--------------------------|-------------------------------------|---|-------------------------------------|-------------------------------------|--------------------------|--------------------------|---|-------------------------------------|-------------------------------------|--------------------------|-------------------------------------|---|--------------------------|--------------------------|-------------------------------------|--------------------------|---|--------------------------|--------------------------|-------------------------------------|-------------------------------------|---|-------------------------------------|--------------------------|-------------------------------------|--------------------------|---|-------------------------------------|--------------------------|-------------------------------------|-------------------------------------|---|--------------------------|-------------------------------------|-------------------------------------|--------------------------|---|--------------------------|-------------------------------------|-------------------------------------|-------------------------------------|---|-------------------------------------|-------------------------------------|-------------------------------------|--------------------------|---|-------------------------------------|-------------------------------------|-------------------------------------|-------------------------------------|
| F2                              | Reserved                                                                                                                                                                                                                                                                                                                                                                                                                                                                                                                                                                                                                                                                                                                                                                                                                                                                                                                                                                                                                                                                                                                                                                                                                                                                                                                                                                                                                                                                                                                                                                                                                                                                                                                                                                                                                                                                                                                                                                                                                                                                                                                                                                                                                                                                                                                                                                                                                                                                                                                                                                                                                                                                                                                                                                                                                                                                                                                                                                                                                                                                                                                                                                                                                                                                            |                                     |                                     |                          |    |                                     |                                     |                                     |                                     |        |                                     |                          |        |                          |                                     |        |                                     |                                     |   |   |                          |                          |                          |                          |   |                          |                          |                          |                                     |   |                                     |                          |                          |                          |   |                                     |                          |                          |                                     |   |                          |                                     |                          |                          |   |                          |                                     |                          |                                     |   |                                     |                                     |                          |                          |   |                                     |                                     |                          |                                     |   |                          |                          |                                     |                          |   |                          |                          |                                     |                                     |   |                                     |                          |                                     |                          |   |                                     |                          |                                     |                                     |   |                          |                                     |                                     |                          |   |                          |                                     |                                     |                                     |   |                                     |                                     |                                     |                          |   |                                     |                                     |                                     |                                     |
| F1                              |                                                                                                                                                                                                                                                                                                                                                                                                                                                                                                                                                                                                                                                                                                                                                                                                                                                                                                                                                                                                                                                                                                                                                                                                                                                                                                                                                                                                                                                                                                                                                                                                                                                                                                                                                                                                                                                                                                                                                                                                                                                                                                                                                                                                                                                                                                                                                                                                                                                                                                                                                                                                                                                                                                                                                                                                                                                                                                                                                                                                                                                                                                                                                                                                                                                                                     |                                     |                                     |                          |    |                                     |                                     |                                     |                                     |        |                                     |                          |        |                          |                                     |        |                                     |                                     |   |   |                          |                          |                          |                          |   |                          |                          |                          |                                     |   |                                     |                          |                          |                          |   |                                     |                          |                          |                                     |   |                          |                                     |                          |                          |   |                          |                                     |                          |                                     |   |                                     |                                     |                          |                          |   |                                     |                                     |                          |                                     |   |                          |                          |                                     |                          |   |                          |                          |                                     |                                     |   |                                     |                          |                                     |                          |   |                                     |                          |                                     |                                     |   |                          |                                     |                                     |                          |   |                          |                                     |                                     |                                     |   |                                     |                                     |                                     |                          |   |                                     |                                     |                                     |                                     |
| TX Duty<br>( RF transmit duty ) | <table border="1"> <thead> <tr> <th rowspan="2">Period</th> <th colspan="2">Pin</th> </tr> <tr> <th>5</th> <th>6</th> </tr> </thead> <tbody> <tr> <td>1 sec</td> <td><input type="checkbox"/></td> <td><input type="checkbox"/></td> </tr> <tr> <td>10 sec</td> <td><input checked="" type="checkbox"/></td> <td><input type="checkbox"/></td> </tr> <tr> <td>30 sec</td> <td><input type="checkbox"/></td> <td><input checked="" type="checkbox"/></td> </tr> <tr> <td>60 sec</td> <td><input checked="" type="checkbox"/></td> <td><input checked="" type="checkbox"/></td> </tr> </tbody> </table> <p> <input checked="" type="checkbox"/> : ON<br/> <input type="checkbox"/> : OFF         </p>                                                                                                                                                                                                                                                                                                                                                                                                                                                                                                                                                                                                                                                                                                                                                                                                                                                                                                                                                                                                                                                                                                                                                                                                                                                                                                                                                                                                                                                                                                                                                                                                                                                                                                                                                                                                                                                                                                                                                                                                                                                                                                                                                                                                                                                                                                                                                                                                                                                                                                                                                                                 | Period                              | Pin                                 |                          | 5  | 6                                   | 1 sec                               | <input type="checkbox"/>            | <input type="checkbox"/>            | 10 sec | <input checked="" type="checkbox"/> | <input type="checkbox"/> | 30 sec | <input type="checkbox"/> | <input checked="" type="checkbox"/> | 60 sec | <input checked="" type="checkbox"/> | <input checked="" type="checkbox"/> |   |   |                          |                          |                          |                          |   |                          |                          |                          |                                     |   |                                     |                          |                          |                          |   |                                     |                          |                          |                                     |   |                          |                                     |                          |                          |   |                          |                                     |                          |                                     |   |                                     |                                     |                          |                          |   |                                     |                                     |                          |                                     |   |                          |                          |                                     |                          |   |                          |                          |                                     |                                     |   |                                     |                          |                                     |                          |   |                                     |                          |                                     |                                     |   |                          |                                     |                                     |                          |   |                          |                                     |                                     |                                     |   |                                     |                                     |                                     |                          |   |                                     |                                     |                                     |                                     |
| Period                          | Pin                                                                                                                                                                                                                                                                                                                                                                                                                                                                                                                                                                                                                                                                                                                                                                                                                                                                                                                                                                                                                                                                                                                                                                                                                                                                                                                                                                                                                                                                                                                                                                                                                                                                                                                                                                                                                                                                                                                                                                                                                                                                                                                                                                                                                                                                                                                                                                                                                                                                                                                                                                                                                                                                                                                                                                                                                                                                                                                                                                                                                                                                                                                                                                                                                                                                                 |                                     |                                     |                          |    |                                     |                                     |                                     |                                     |        |                                     |                          |        |                          |                                     |        |                                     |                                     |   |   |                          |                          |                          |                          |   |                          |                          |                          |                                     |   |                                     |                          |                          |                          |   |                                     |                          |                          |                                     |   |                          |                                     |                          |                          |   |                          |                                     |                          |                                     |   |                                     |                                     |                          |                          |   |                                     |                                     |                          |                                     |   |                          |                          |                                     |                          |   |                          |                          |                                     |                                     |   |                                     |                          |                                     |                          |   |                                     |                          |                                     |                                     |   |                          |                                     |                                     |                          |   |                          |                                     |                                     |                                     |   |                                     |                                     |                                     |                          |   |                                     |                                     |                                     |                                     |
|                                 | 5                                                                                                                                                                                                                                                                                                                                                                                                                                                                                                                                                                                                                                                                                                                                                                                                                                                                                                                                                                                                                                                                                                                                                                                                                                                                                                                                                                                                                                                                                                                                                                                                                                                                                                                                                                                                                                                                                                                                                                                                                                                                                                                                                                                                                                                                                                                                                                                                                                                                                                                                                                                                                                                                                                                                                                                                                                                                                                                                                                                                                                                                                                                                                                                                                                                                                   | 6                                   |                                     |                          |    |                                     |                                     |                                     |                                     |        |                                     |                          |        |                          |                                     |        |                                     |                                     |   |   |                          |                          |                          |                          |   |                          |                          |                          |                                     |   |                                     |                          |                          |                          |   |                                     |                          |                          |                                     |   |                          |                                     |                          |                          |   |                          |                                     |                          |                                     |   |                                     |                                     |                          |                          |   |                                     |                                     |                          |                                     |   |                          |                          |                                     |                          |   |                          |                          |                                     |                                     |   |                                     |                          |                                     |                          |   |                                     |                          |                                     |                                     |   |                          |                                     |                                     |                          |   |                          |                                     |                                     |                                     |   |                                     |                                     |                                     |                          |   |                                     |                                     |                                     |                                     |
| 1 sec                           | <input type="checkbox"/>                                                                                                                                                                                                                                                                                                                                                                                                                                                                                                                                                                                                                                                                                                                                                                                                                                                                                                                                                                                                                                                                                                                                                                                                                                                                                                                                                                                                                                                                                                                                                                                                                                                                                                                                                                                                                                                                                                                                                                                                                                                                                                                                                                                                                                                                                                                                                                                                                                                                                                                                                                                                                                                                                                                                                                                                                                                                                                                                                                                                                                                                                                                                                                                                                                                            | <input type="checkbox"/>            |                                     |                          |    |                                     |                                     |                                     |                                     |        |                                     |                          |        |                          |                                     |        |                                     |                                     |   |   |                          |                          |                          |                          |   |                          |                          |                          |                                     |   |                                     |                          |                          |                          |   |                                     |                          |                          |                                     |   |                          |                                     |                          |                          |   |                          |                                     |                          |                                     |   |                                     |                                     |                          |                          |   |                                     |                                     |                          |                                     |   |                          |                          |                                     |                          |   |                          |                          |                                     |                                     |   |                                     |                          |                                     |                          |   |                                     |                          |                                     |                                     |   |                          |                                     |                                     |                          |   |                          |                                     |                                     |                                     |   |                                     |                                     |                                     |                          |   |                                     |                                     |                                     |                                     |
| 10 sec                          | <input checked="" type="checkbox"/>                                                                                                                                                                                                                                                                                                                                                                                                                                                                                                                                                                                                                                                                                                                                                                                                                                                                                                                                                                                                                                                                                                                                                                                                                                                                                                                                                                                                                                                                                                                                                                                                                                                                                                                                                                                                                                                                                                                                                                                                                                                                                                                                                                                                                                                                                                                                                                                                                                                                                                                                                                                                                                                                                                                                                                                                                                                                                                                                                                                                                                                                                                                                                                                                                                                 | <input type="checkbox"/>            |                                     |                          |    |                                     |                                     |                                     |                                     |        |                                     |                          |        |                          |                                     |        |                                     |                                     |   |   |                          |                          |                          |                          |   |                          |                          |                          |                                     |   |                                     |                          |                          |                          |   |                                     |                          |                          |                                     |   |                          |                                     |                          |                          |   |                          |                                     |                          |                                     |   |                                     |                                     |                          |                          |   |                                     |                                     |                          |                                     |   |                          |                          |                                     |                          |   |                          |                          |                                     |                                     |   |                                     |                          |                                     |                          |   |                                     |                          |                                     |                                     |   |                          |                                     |                                     |                          |   |                          |                                     |                                     |                                     |   |                                     |                                     |                                     |                          |   |                                     |                                     |                                     |                                     |
| 30 sec                          | <input type="checkbox"/>                                                                                                                                                                                                                                                                                                                                                                                                                                                                                                                                                                                                                                                                                                                                                                                                                                                                                                                                                                                                                                                                                                                                                                                                                                                                                                                                                                                                                                                                                                                                                                                                                                                                                                                                                                                                                                                                                                                                                                                                                                                                                                                                                                                                                                                                                                                                                                                                                                                                                                                                                                                                                                                                                                                                                                                                                                                                                                                                                                                                                                                                                                                                                                                                                                                            | <input checked="" type="checkbox"/> |                                     |                          |    |                                     |                                     |                                     |                                     |        |                                     |                          |        |                          |                                     |        |                                     |                                     |   |   |                          |                          |                          |                          |   |                          |                          |                          |                                     |   |                                     |                          |                          |                          |   |                                     |                          |                          |                                     |   |                          |                                     |                          |                          |   |                          |                                     |                          |                                     |   |                                     |                                     |                          |                          |   |                                     |                                     |                          |                                     |   |                          |                          |                                     |                          |   |                          |                          |                                     |                                     |   |                                     |                          |                                     |                          |   |                                     |                          |                                     |                                     |   |                          |                                     |                                     |                          |   |                          |                                     |                                     |                                     |   |                                     |                                     |                                     |                          |   |                                     |                                     |                                     |                                     |
| 60 sec                          | <input checked="" type="checkbox"/>                                                                                                                                                                                                                                                                                                                                                                                                                                                                                                                                                                                                                                                                                                                                                                                                                                                                                                                                                                                                                                                                                                                                                                                                                                                                                                                                                                                                                                                                                                                                                                                                                                                                                                                                                                                                                                                                                                                                                                                                                                                                                                                                                                                                                                                                                                                                                                                                                                                                                                                                                                                                                                                                                                                                                                                                                                                                                                                                                                                                                                                                                                                                                                                                                                                 | <input checked="" type="checkbox"/> |                                     |                          |    |                                     |                                     |                                     |                                     |        |                                     |                          |        |                          |                                     |        |                                     |                                     |   |   |                          |                          |                          |                          |   |                          |                          |                          |                                     |   |                                     |                          |                          |                          |   |                                     |                          |                          |                                     |   |                          |                                     |                          |                          |   |                          |                                     |                          |                                     |   |                                     |                                     |                          |                          |   |                                     |                                     |                          |                                     |   |                          |                          |                                     |                          |   |                          |                          |                                     |                                     |   |                                     |                          |                                     |                          |   |                                     |                          |                                     |                                     |   |                          |                                     |                                     |                          |   |                          |                                     |                                     |                                     |   |                                     |                                     |                                     |                          |   |                                     |                                     |                                     |                                     |
| RF Ch<br>(RF Channel)           | <table border="1"> <thead> <tr> <th rowspan="2">Ch</th> <th colspan="4">Pin</th> <th rowspan="2">Ch</th> <th colspan="4">Pin</th> </tr> <tr> <th>1</th> <th>2</th> <th>3</th> <th>4</th> <th>1</th> <th>2</th> <th>3</th> <th>4</th> </tr> </thead> <tbody> <tr> <td>0</td> <td><input type="checkbox"/></td> <td><input type="checkbox"/></td> <td><input type="checkbox"/></td> <td><input type="checkbox"/></td> <td>8</td> <td><input type="checkbox"/></td> <td><input type="checkbox"/></td> <td><input type="checkbox"/></td> <td><input checked="" type="checkbox"/></td> </tr> <tr> <td>1</td> <td><input checked="" type="checkbox"/></td> <td><input type="checkbox"/></td> <td><input type="checkbox"/></td> <td><input type="checkbox"/></td> <td>9</td> <td><input checked="" type="checkbox"/></td> <td><input type="checkbox"/></td> <td><input type="checkbox"/></td> <td><input checked="" type="checkbox"/></td> </tr> <tr> <td>2</td> <td><input type="checkbox"/></td> <td><input checked="" type="checkbox"/></td> <td><input type="checkbox"/></td> <td><input type="checkbox"/></td> <td>A</td> <td><input type="checkbox"/></td> <td><input checked="" type="checkbox"/></td> <td><input type="checkbox"/></td> <td><input checked="" type="checkbox"/></td> </tr> <tr> <td>3</td> <td><input checked="" type="checkbox"/></td> <td><input checked="" type="checkbox"/></td> <td><input type="checkbox"/></td> <td><input type="checkbox"/></td> <td>B</td> <td><input checked="" type="checkbox"/></td> <td><input checked="" type="checkbox"/></td> <td><input type="checkbox"/></td> <td><input checked="" type="checkbox"/></td> </tr> <tr> <td>4</td> <td><input type="checkbox"/></td> <td><input type="checkbox"/></td> <td><input checked="" type="checkbox"/></td> <td><input type="checkbox"/></td> <td>C</td> <td><input type="checkbox"/></td> <td><input type="checkbox"/></td> <td><input checked="" type="checkbox"/></td> <td><input checked="" type="checkbox"/></td> </tr> <tr> <td>5</td> <td><input checked="" type="checkbox"/></td> <td><input type="checkbox"/></td> <td><input checked="" type="checkbox"/></td> <td><input type="checkbox"/></td> <td>D</td> <td><input checked="" type="checkbox"/></td> <td><input type="checkbox"/></td> <td><input checked="" type="checkbox"/></td> <td><input checked="" type="checkbox"/></td> </tr> <tr> <td>6</td> <td><input type="checkbox"/></td> <td><input checked="" type="checkbox"/></td> <td><input checked="" type="checkbox"/></td> <td><input type="checkbox"/></td> <td>E</td> <td><input type="checkbox"/></td> <td><input checked="" type="checkbox"/></td> <td><input checked="" type="checkbox"/></td> <td><input checked="" type="checkbox"/></td> </tr> <tr> <td>7</td> <td><input checked="" type="checkbox"/></td> <td><input checked="" type="checkbox"/></td> <td><input checked="" type="checkbox"/></td> <td><input type="checkbox"/></td> <td>F</td> <td><input checked="" type="checkbox"/></td> <td><input checked="" type="checkbox"/></td> <td><input checked="" type="checkbox"/></td> <td><input checked="" type="checkbox"/></td> </tr> </tbody> </table> <p> <input checked="" type="checkbox"/> : ON<br/> <input type="checkbox"/> : OFF         </p> | Ch                                  | Pin                                 |                          |    |                                     | Ch                                  | Pin                                 |                                     |        |                                     | 1                        | 2      | 3                        | 4                                   | 1      | 2                                   | 3                                   | 4 | 0 | <input type="checkbox"/> | <input type="checkbox"/> | <input type="checkbox"/> | <input type="checkbox"/> | 8 | <input type="checkbox"/> | <input type="checkbox"/> | <input type="checkbox"/> | <input checked="" type="checkbox"/> | 1 | <input checked="" type="checkbox"/> | <input type="checkbox"/> | <input type="checkbox"/> | <input type="checkbox"/> | 9 | <input checked="" type="checkbox"/> | <input type="checkbox"/> | <input type="checkbox"/> | <input checked="" type="checkbox"/> | 2 | <input type="checkbox"/> | <input checked="" type="checkbox"/> | <input type="checkbox"/> | <input type="checkbox"/> | A | <input type="checkbox"/> | <input checked="" type="checkbox"/> | <input type="checkbox"/> | <input checked="" type="checkbox"/> | 3 | <input checked="" type="checkbox"/> | <input checked="" type="checkbox"/> | <input type="checkbox"/> | <input type="checkbox"/> | B | <input checked="" type="checkbox"/> | <input checked="" type="checkbox"/> | <input type="checkbox"/> | <input checked="" type="checkbox"/> | 4 | <input type="checkbox"/> | <input type="checkbox"/> | <input checked="" type="checkbox"/> | <input type="checkbox"/> | C | <input type="checkbox"/> | <input type="checkbox"/> | <input checked="" type="checkbox"/> | <input checked="" type="checkbox"/> | 5 | <input checked="" type="checkbox"/> | <input type="checkbox"/> | <input checked="" type="checkbox"/> | <input type="checkbox"/> | D | <input checked="" type="checkbox"/> | <input type="checkbox"/> | <input checked="" type="checkbox"/> | <input checked="" type="checkbox"/> | 6 | <input type="checkbox"/> | <input checked="" type="checkbox"/> | <input checked="" type="checkbox"/> | <input type="checkbox"/> | E | <input type="checkbox"/> | <input checked="" type="checkbox"/> | <input checked="" type="checkbox"/> | <input checked="" type="checkbox"/> | 7 | <input checked="" type="checkbox"/> | <input checked="" type="checkbox"/> | <input checked="" type="checkbox"/> | <input type="checkbox"/> | F | <input checked="" type="checkbox"/> | <input checked="" type="checkbox"/> | <input checked="" type="checkbox"/> | <input checked="" type="checkbox"/> |
| Ch                              | Pin                                                                                                                                                                                                                                                                                                                                                                                                                                                                                                                                                                                                                                                                                                                                                                                                                                                                                                                                                                                                                                                                                                                                                                                                                                                                                                                                                                                                                                                                                                                                                                                                                                                                                                                                                                                                                                                                                                                                                                                                                                                                                                                                                                                                                                                                                                                                                                                                                                                                                                                                                                                                                                                                                                                                                                                                                                                                                                                                                                                                                                                                                                                                                                                                                                                                                 |                                     |                                     |                          | Ch | Pin                                 |                                     |                                     |                                     |        |                                     |                          |        |                          |                                     |        |                                     |                                     |   |   |                          |                          |                          |                          |   |                          |                          |                          |                                     |   |                                     |                          |                          |                          |   |                                     |                          |                          |                                     |   |                          |                                     |                          |                          |   |                          |                                     |                          |                                     |   |                                     |                                     |                          |                          |   |                                     |                                     |                          |                                     |   |                          |                          |                                     |                          |   |                          |                          |                                     |                                     |   |                                     |                          |                                     |                          |   |                                     |                          |                                     |                                     |   |                          |                                     |                                     |                          |   |                          |                                     |                                     |                                     |   |                                     |                                     |                                     |                          |   |                                     |                                     |                                     |                                     |
|                                 | 1                                                                                                                                                                                                                                                                                                                                                                                                                                                                                                                                                                                                                                                                                                                                                                                                                                                                                                                                                                                                                                                                                                                                                                                                                                                                                                                                                                                                                                                                                                                                                                                                                                                                                                                                                                                                                                                                                                                                                                                                                                                                                                                                                                                                                                                                                                                                                                                                                                                                                                                                                                                                                                                                                                                                                                                                                                                                                                                                                                                                                                                                                                                                                                                                                                                                                   | 2                                   | 3                                   | 4                        |    | 1                                   | 2                                   | 3                                   | 4                                   |        |                                     |                          |        |                          |                                     |        |                                     |                                     |   |   |                          |                          |                          |                          |   |                          |                          |                          |                                     |   |                                     |                          |                          |                          |   |                                     |                          |                          |                                     |   |                          |                                     |                          |                          |   |                          |                                     |                          |                                     |   |                                     |                                     |                          |                          |   |                                     |                                     |                          |                                     |   |                          |                          |                                     |                          |   |                          |                          |                                     |                                     |   |                                     |                          |                                     |                          |   |                                     |                          |                                     |                                     |   |                          |                                     |                                     |                          |   |                          |                                     |                                     |                                     |   |                                     |                                     |                                     |                          |   |                                     |                                     |                                     |                                     |
| 0                               | <input type="checkbox"/>                                                                                                                                                                                                                                                                                                                                                                                                                                                                                                                                                                                                                                                                                                                                                                                                                                                                                                                                                                                                                                                                                                                                                                                                                                                                                                                                                                                                                                                                                                                                                                                                                                                                                                                                                                                                                                                                                                                                                                                                                                                                                                                                                                                                                                                                                                                                                                                                                                                                                                                                                                                                                                                                                                                                                                                                                                                                                                                                                                                                                                                                                                                                                                                                                                                            | <input type="checkbox"/>            | <input type="checkbox"/>            | <input type="checkbox"/> | 8  | <input type="checkbox"/>            | <input type="checkbox"/>            | <input type="checkbox"/>            | <input checked="" type="checkbox"/> |        |                                     |                          |        |                          |                                     |        |                                     |                                     |   |   |                          |                          |                          |                          |   |                          |                          |                          |                                     |   |                                     |                          |                          |                          |   |                                     |                          |                          |                                     |   |                          |                                     |                          |                          |   |                          |                                     |                          |                                     |   |                                     |                                     |                          |                          |   |                                     |                                     |                          |                                     |   |                          |                          |                                     |                          |   |                          |                          |                                     |                                     |   |                                     |                          |                                     |                          |   |                                     |                          |                                     |                                     |   |                          |                                     |                                     |                          |   |                          |                                     |                                     |                                     |   |                                     |                                     |                                     |                          |   |                                     |                                     |                                     |                                     |
| 1                               | <input checked="" type="checkbox"/>                                                                                                                                                                                                                                                                                                                                                                                                                                                                                                                                                                                                                                                                                                                                                                                                                                                                                                                                                                                                                                                                                                                                                                                                                                                                                                                                                                                                                                                                                                                                                                                                                                                                                                                                                                                                                                                                                                                                                                                                                                                                                                                                                                                                                                                                                                                                                                                                                                                                                                                                                                                                                                                                                                                                                                                                                                                                                                                                                                                                                                                                                                                                                                                                                                                 | <input type="checkbox"/>            | <input type="checkbox"/>            | <input type="checkbox"/> | 9  | <input checked="" type="checkbox"/> | <input type="checkbox"/>            | <input type="checkbox"/>            | <input checked="" type="checkbox"/> |        |                                     |                          |        |                          |                                     |        |                                     |                                     |   |   |                          |                          |                          |                          |   |                          |                          |                          |                                     |   |                                     |                          |                          |                          |   |                                     |                          |                          |                                     |   |                          |                                     |                          |                          |   |                          |                                     |                          |                                     |   |                                     |                                     |                          |                          |   |                                     |                                     |                          |                                     |   |                          |                          |                                     |                          |   |                          |                          |                                     |                                     |   |                                     |                          |                                     |                          |   |                                     |                          |                                     |                                     |   |                          |                                     |                                     |                          |   |                          |                                     |                                     |                                     |   |                                     |                                     |                                     |                          |   |                                     |                                     |                                     |                                     |
| 2                               | <input type="checkbox"/>                                                                                                                                                                                                                                                                                                                                                                                                                                                                                                                                                                                                                                                                                                                                                                                                                                                                                                                                                                                                                                                                                                                                                                                                                                                                                                                                                                                                                                                                                                                                                                                                                                                                                                                                                                                                                                                                                                                                                                                                                                                                                                                                                                                                                                                                                                                                                                                                                                                                                                                                                                                                                                                                                                                                                                                                                                                                                                                                                                                                                                                                                                                                                                                                                                                            | <input checked="" type="checkbox"/> | <input type="checkbox"/>            | <input type="checkbox"/> | A  | <input type="checkbox"/>            | <input checked="" type="checkbox"/> | <input type="checkbox"/>            | <input checked="" type="checkbox"/> |        |                                     |                          |        |                          |                                     |        |                                     |                                     |   |   |                          |                          |                          |                          |   |                          |                          |                          |                                     |   |                                     |                          |                          |                          |   |                                     |                          |                          |                                     |   |                          |                                     |                          |                          |   |                          |                                     |                          |                                     |   |                                     |                                     |                          |                          |   |                                     |                                     |                          |                                     |   |                          |                          |                                     |                          |   |                          |                          |                                     |                                     |   |                                     |                          |                                     |                          |   |                                     |                          |                                     |                                     |   |                          |                                     |                                     |                          |   |                          |                                     |                                     |                                     |   |                                     |                                     |                                     |                          |   |                                     |                                     |                                     |                                     |
| 3                               | <input checked="" type="checkbox"/>                                                                                                                                                                                                                                                                                                                                                                                                                                                                                                                                                                                                                                                                                                                                                                                                                                                                                                                                                                                                                                                                                                                                                                                                                                                                                                                                                                                                                                                                                                                                                                                                                                                                                                                                                                                                                                                                                                                                                                                                                                                                                                                                                                                                                                                                                                                                                                                                                                                                                                                                                                                                                                                                                                                                                                                                                                                                                                                                                                                                                                                                                                                                                                                                                                                 | <input checked="" type="checkbox"/> | <input type="checkbox"/>            | <input type="checkbox"/> | B  | <input checked="" type="checkbox"/> | <input checked="" type="checkbox"/> | <input type="checkbox"/>            | <input checked="" type="checkbox"/> |        |                                     |                          |        |                          |                                     |        |                                     |                                     |   |   |                          |                          |                          |                          |   |                          |                          |                          |                                     |   |                                     |                          |                          |                          |   |                                     |                          |                          |                                     |   |                          |                                     |                          |                          |   |                          |                                     |                          |                                     |   |                                     |                                     |                          |                          |   |                                     |                                     |                          |                                     |   |                          |                          |                                     |                          |   |                          |                          |                                     |                                     |   |                                     |                          |                                     |                          |   |                                     |                          |                                     |                                     |   |                          |                                     |                                     |                          |   |                          |                                     |                                     |                                     |   |                                     |                                     |                                     |                          |   |                                     |                                     |                                     |                                     |
| 4                               | <input type="checkbox"/>                                                                                                                                                                                                                                                                                                                                                                                                                                                                                                                                                                                                                                                                                                                                                                                                                                                                                                                                                                                                                                                                                                                                                                                                                                                                                                                                                                                                                                                                                                                                                                                                                                                                                                                                                                                                                                                                                                                                                                                                                                                                                                                                                                                                                                                                                                                                                                                                                                                                                                                                                                                                                                                                                                                                                                                                                                                                                                                                                                                                                                                                                                                                                                                                                                                            | <input type="checkbox"/>            | <input checked="" type="checkbox"/> | <input type="checkbox"/> | C  | <input type="checkbox"/>            | <input type="checkbox"/>            | <input checked="" type="checkbox"/> | <input checked="" type="checkbox"/> |        |                                     |                          |        |                          |                                     |        |                                     |                                     |   |   |                          |                          |                          |                          |   |                          |                          |                          |                                     |   |                                     |                          |                          |                          |   |                                     |                          |                          |                                     |   |                          |                                     |                          |                          |   |                          |                                     |                          |                                     |   |                                     |                                     |                          |                          |   |                                     |                                     |                          |                                     |   |                          |                          |                                     |                          |   |                          |                          |                                     |                                     |   |                                     |                          |                                     |                          |   |                                     |                          |                                     |                                     |   |                          |                                     |                                     |                          |   |                          |                                     |                                     |                                     |   |                                     |                                     |                                     |                          |   |                                     |                                     |                                     |                                     |
| 5                               | <input checked="" type="checkbox"/>                                                                                                                                                                                                                                                                                                                                                                                                                                                                                                                                                                                                                                                                                                                                                                                                                                                                                                                                                                                                                                                                                                                                                                                                                                                                                                                                                                                                                                                                                                                                                                                                                                                                                                                                                                                                                                                                                                                                                                                                                                                                                                                                                                                                                                                                                                                                                                                                                                                                                                                                                                                                                                                                                                                                                                                                                                                                                                                                                                                                                                                                                                                                                                                                                                                 | <input type="checkbox"/>            | <input checked="" type="checkbox"/> | <input type="checkbox"/> | D  | <input checked="" type="checkbox"/> | <input type="checkbox"/>            | <input checked="" type="checkbox"/> | <input checked="" type="checkbox"/> |        |                                     |                          |        |                          |                                     |        |                                     |                                     |   |   |                          |                          |                          |                          |   |                          |                          |                          |                                     |   |                                     |                          |                          |                          |   |                                     |                          |                          |                                     |   |                          |                                     |                          |                          |   |                          |                                     |                          |                                     |   |                                     |                                     |                          |                          |   |                                     |                                     |                          |                                     |   |                          |                          |                                     |                          |   |                          |                          |                                     |                                     |   |                                     |                          |                                     |                          |   |                                     |                          |                                     |                                     |   |                          |                                     |                                     |                          |   |                          |                                     |                                     |                                     |   |                                     |                                     |                                     |                          |   |                                     |                                     |                                     |                                     |
| 6                               | <input type="checkbox"/>                                                                                                                                                                                                                                                                                                                                                                                                                                                                                                                                                                                                                                                                                                                                                                                                                                                                                                                                                                                                                                                                                                                                                                                                                                                                                                                                                                                                                                                                                                                                                                                                                                                                                                                                                                                                                                                                                                                                                                                                                                                                                                                                                                                                                                                                                                                                                                                                                                                                                                                                                                                                                                                                                                                                                                                                                                                                                                                                                                                                                                                                                                                                                                                                                                                            | <input checked="" type="checkbox"/> | <input checked="" type="checkbox"/> | <input type="checkbox"/> | E  | <input type="checkbox"/>            | <input checked="" type="checkbox"/> | <input checked="" type="checkbox"/> | <input checked="" type="checkbox"/> |        |                                     |                          |        |                          |                                     |        |                                     |                                     |   |   |                          |                          |                          |                          |   |                          |                          |                          |                                     |   |                                     |                          |                          |                          |   |                                     |                          |                          |                                     |   |                          |                                     |                          |                          |   |                          |                                     |                          |                                     |   |                                     |                                     |                          |                          |   |                                     |                                     |                          |                                     |   |                          |                          |                                     |                          |   |                          |                          |                                     |                                     |   |                                     |                          |                                     |                          |   |                                     |                          |                                     |                                     |   |                          |                                     |                                     |                          |   |                          |                                     |                                     |                                     |   |                                     |                                     |                                     |                          |   |                                     |                                     |                                     |                                     |
| 7                               | <input checked="" type="checkbox"/>                                                                                                                                                                                                                                                                                                                                                                                                                                                                                                                                                                                                                                                                                                                                                                                                                                                                                                                                                                                                                                                                                                                                                                                                                                                                                                                                                                                                                                                                                                                                                                                                                                                                                                                                                                                                                                                                                                                                                                                                                                                                                                                                                                                                                                                                                                                                                                                                                                                                                                                                                                                                                                                                                                                                                                                                                                                                                                                                                                                                                                                                                                                                                                                                                                                 | <input checked="" type="checkbox"/> | <input checked="" type="checkbox"/> | <input type="checkbox"/> | F  | <input checked="" type="checkbox"/> | <input checked="" type="checkbox"/> | <input checked="" type="checkbox"/> | <input checked="" type="checkbox"/> |        |                                     |                          |        |                          |                                     |        |                                     |                                     |   |   |                          |                          |                          |                          |   |                          |                          |                          |                                     |   |                                     |                          |                          |                          |   |                                     |                          |                          |                                     |   |                          |                                     |                          |                          |   |                          |                                     |                          |                                     |   |                                     |                                     |                          |                          |   |                                     |                                     |                          |                                     |   |                          |                          |                                     |                          |   |                          |                          |                                     |                                     |   |                                     |                          |                                     |                          |   |                                     |                          |                                     |                                     |   |                          |                                     |                                     |                          |   |                          |                                     |                                     |                                     |   |                                     |                                     |                                     |                          |   |                                     |                                     |                                     |                                     |



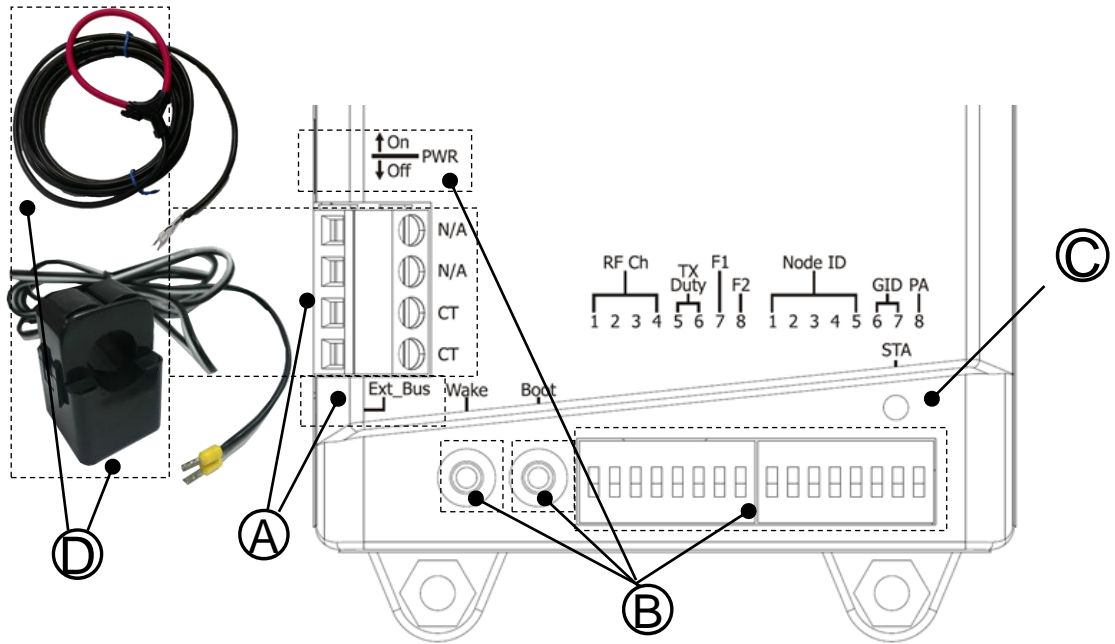
| Name                                       | Instructions                        |                                     |                                     |                                     |                                     |                                     |                                     |                                     |                                     |                                     |                                     |                                     |
|--------------------------------------------|-------------------------------------|-------------------------------------|-------------------------------------|-------------------------------------|-------------------------------------|-------------------------------------|-------------------------------------|-------------------------------------|-------------------------------------|-------------------------------------|-------------------------------------|-------------------------------------|
| PA                                         | Factory Only                        |                                     |                                     |                                     |                                     |                                     |                                     |                                     |                                     |                                     |                                     |                                     |
| GID<br>(Group ID)<br><br>■ : ON<br>□ : OFF | Group                               |                                     | Pin                                 |                                     |                                     |                                     |                                     |                                     |                                     |                                     |                                     |                                     |
|                                            |                                     |                                     | 6                                   |                                     |                                     |                                     | 7                                   |                                     |                                     |                                     |                                     |                                     |
|                                            | 0                                   |                                     | <input type="checkbox"/>            | <input type="checkbox"/>            | <input type="checkbox"/>            | <input type="checkbox"/>            | <input type="checkbox"/>            | <input type="checkbox"/>            | <input type="checkbox"/>            | <input type="checkbox"/>            |                                     |                                     |
|                                            | 1                                   |                                     | <input checked="" type="checkbox"/> | <input type="checkbox"/>            | <input type="checkbox"/>            | <input type="checkbox"/>            | <input type="checkbox"/>            | <input type="checkbox"/>            | <input type="checkbox"/>            | <input type="checkbox"/>            |                                     |                                     |
|                                            | 2                                   |                                     | <input type="checkbox"/>            | <input type="checkbox"/>            | <input type="checkbox"/>            | <input type="checkbox"/>            | <input type="checkbox"/>            | <input checked="" type="checkbox"/> | <input type="checkbox"/>            | <input type="checkbox"/>            |                                     |                                     |
| 3                                          |                                     | <input checked="" type="checkbox"/> | <input type="checkbox"/>            | <input type="checkbox"/>            | <input type="checkbox"/>            | <input checked="" type="checkbox"/> | <input checked="" type="checkbox"/> | <input type="checkbox"/>            | <input type="checkbox"/>            |                                     |                                     |                                     |
| Node ID<br><br>■ : ON<br>□ : OFF           | Node                                | Pin                                 |                                     |                                     |                                     |                                     | Node                                | Pin                                 |                                     |                                     |                                     |                                     |
|                                            |                                     | 1                                   | 2                                   | 3                                   | 4                                   | 5                                   |                                     | 1                                   | 2                                   | 3                                   | 4                                   | 5                                   |
|                                            | 0                                   | <input type="checkbox"/>            | <input type="checkbox"/>            | <input type="checkbox"/>            | <input type="checkbox"/>            | <input type="checkbox"/>            | 16                                  | <input type="checkbox"/>            | <input type="checkbox"/>            | <input type="checkbox"/>            | <input type="checkbox"/>            | <input checked="" type="checkbox"/> |
|                                            | 1                                   | <input checked="" type="checkbox"/> | <input type="checkbox"/>            | <input type="checkbox"/>            | <input type="checkbox"/>            | <input type="checkbox"/>            | 17                                  | <input checked="" type="checkbox"/> | <input type="checkbox"/>            | <input type="checkbox"/>            | <input type="checkbox"/>            | <input checked="" type="checkbox"/> |
|                                            | 2                                   | <input type="checkbox"/>            | <input checked="" type="checkbox"/> | <input type="checkbox"/>            | <input type="checkbox"/>            | <input type="checkbox"/>            | 18                                  | <input type="checkbox"/>            | <input checked="" type="checkbox"/> | <input type="checkbox"/>            | <input type="checkbox"/>            | <input checked="" type="checkbox"/> |
|                                            | 3                                   | <input checked="" type="checkbox"/> | <input checked="" type="checkbox"/> | <input type="checkbox"/>            | <input type="checkbox"/>            | <input type="checkbox"/>            | 19                                  | <input checked="" type="checkbox"/> | <input checked="" type="checkbox"/> | <input type="checkbox"/>            | <input type="checkbox"/>            | <input checked="" type="checkbox"/> |
|                                            | 4                                   | <input type="checkbox"/>            | <input type="checkbox"/>            | <input checked="" type="checkbox"/> | <input type="checkbox"/>            | <input type="checkbox"/>            | 20                                  | <input type="checkbox"/>            | <input type="checkbox"/>            | <input checked="" type="checkbox"/> | <input type="checkbox"/>            | <input checked="" type="checkbox"/> |
|                                            | 5                                   | <input checked="" type="checkbox"/> | <input type="checkbox"/>            | <input checked="" type="checkbox"/> | <input type="checkbox"/>            | <input type="checkbox"/>            | 21                                  | <input checked="" type="checkbox"/> | <input type="checkbox"/>            | <input checked="" type="checkbox"/> | <input type="checkbox"/>            | <input checked="" type="checkbox"/> |
|                                            | 6                                   | <input type="checkbox"/>            | <input checked="" type="checkbox"/> | <input checked="" type="checkbox"/> | <input type="checkbox"/>            | <input type="checkbox"/>            | 22                                  | <input type="checkbox"/>            | <input checked="" type="checkbox"/> | <input checked="" type="checkbox"/> | <input type="checkbox"/>            | <input checked="" type="checkbox"/> |
|                                            | 7                                   | <input checked="" type="checkbox"/> | <input checked="" type="checkbox"/> | <input checked="" type="checkbox"/> | <input type="checkbox"/>            | <input type="checkbox"/>            | 23                                  | <input checked="" type="checkbox"/> | <input checked="" type="checkbox"/> | <input checked="" type="checkbox"/> | <input type="checkbox"/>            | <input checked="" type="checkbox"/> |
|                                            | 8                                   | <input type="checkbox"/>            | <input type="checkbox"/>            | <input type="checkbox"/>            | <input checked="" type="checkbox"/> | <input type="checkbox"/>            | 24                                  | <input type="checkbox"/>            | <input type="checkbox"/>            | <input type="checkbox"/>            | <input checked="" type="checkbox"/> | <input checked="" type="checkbox"/> |
|                                            | 9                                   | <input checked="" type="checkbox"/> | <input type="checkbox"/>            | <input type="checkbox"/>            | <input checked="" type="checkbox"/> | <input type="checkbox"/>            | 25                                  | <input checked="" type="checkbox"/> | <input type="checkbox"/>            | <input type="checkbox"/>            | <input checked="" type="checkbox"/> | <input checked="" type="checkbox"/> |
|                                            | 10                                  | <input type="checkbox"/>            | <input checked="" type="checkbox"/> | <input type="checkbox"/>            | <input checked="" type="checkbox"/> | <input type="checkbox"/>            | 26                                  | <input type="checkbox"/>            | <input checked="" type="checkbox"/> | <input type="checkbox"/>            | <input checked="" type="checkbox"/> | <input checked="" type="checkbox"/> |
|                                            | 11                                  | <input checked="" type="checkbox"/> | <input checked="" type="checkbox"/> | <input type="checkbox"/>            | <input checked="" type="checkbox"/> | <input type="checkbox"/>            | 27                                  | <input checked="" type="checkbox"/> | <input checked="" type="checkbox"/> | <input type="checkbox"/>            | <input checked="" type="checkbox"/> | <input checked="" type="checkbox"/> |
|                                            | 12                                  | <input type="checkbox"/>            | <input type="checkbox"/>            | <input checked="" type="checkbox"/> | <input checked="" type="checkbox"/> | <input type="checkbox"/>            | 28                                  | <input type="checkbox"/>            | <input type="checkbox"/>            | <input checked="" type="checkbox"/> | <input checked="" type="checkbox"/> | <input checked="" type="checkbox"/> |
|                                            | 13                                  | <input checked="" type="checkbox"/> | <input type="checkbox"/>            | <input checked="" type="checkbox"/> | <input checked="" type="checkbox"/> | <input type="checkbox"/>            | 29                                  | <input checked="" type="checkbox"/> | <input type="checkbox"/>            | <input checked="" type="checkbox"/> | <input checked="" type="checkbox"/> | <input checked="" type="checkbox"/> |
|                                            | 14                                  | <input type="checkbox"/>            | <input checked="" type="checkbox"/> | <input checked="" type="checkbox"/> | <input checked="" type="checkbox"/> | <input type="checkbox"/>            | 30                                  | <input type="checkbox"/>            | <input checked="" type="checkbox"/> | <input checked="" type="checkbox"/> | <input checked="" type="checkbox"/> | <input checked="" type="checkbox"/> |
| 15                                         | <input checked="" type="checkbox"/> | <input checked="" type="checkbox"/> | <input checked="" type="checkbox"/> | <input checked="" type="checkbox"/> | <input type="checkbox"/>            | 31                                  | <input checked="" type="checkbox"/> | <input checked="" type="checkbox"/> | <input checked="" type="checkbox"/> | <input checked="" type="checkbox"/> | <input checked="" type="checkbox"/> |                                     |

# 4 LED indicators

The module provides one LED indicator. The table below will show the LED status.

| Indicators | Status                 | Instructions                                                                                                                                                                                                                                                             |
|------------|------------------------|--------------------------------------------------------------------------------------------------------------------------------------------------------------------------------------------------------------------------------------------------------------------------|
| STA        | 500ms Blink continuous | Illegal Node ID, please set the Node ID to 1~31, and then power on.                                                                                                                                                                                                      |
|            | Blink once             | Low battery power.<br>1. Please confirm whether the CT is lock into the “CT” pin of the module and bucked to the wire for charging.<br>1. If have any questions, please contact technology support.                                                                      |
|            | Blink twice            | Component status is abnormal.<br>1. Please confirm whether the audio line of “Ext_Bus” is fully inserted and the module is power off. And power on after press “Wake” and “Boot” buttons for 5 seconds.<br>1. If have any questions, please contact technology support.  |
|            | Blink three times      | Unable to confirm sensor type.<br>1. Please confirm whether the audio line of “Ext_Bus” is fully inserted and the module is power off. And power on after press “Wake” and “Boot” buttons for 5 seconds.<br>1. If have any questions, please contact technology support. |

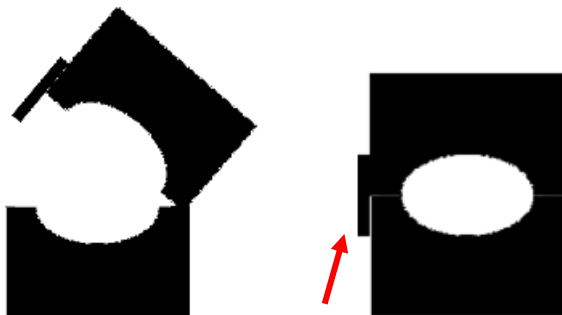
# 5 Boot steps



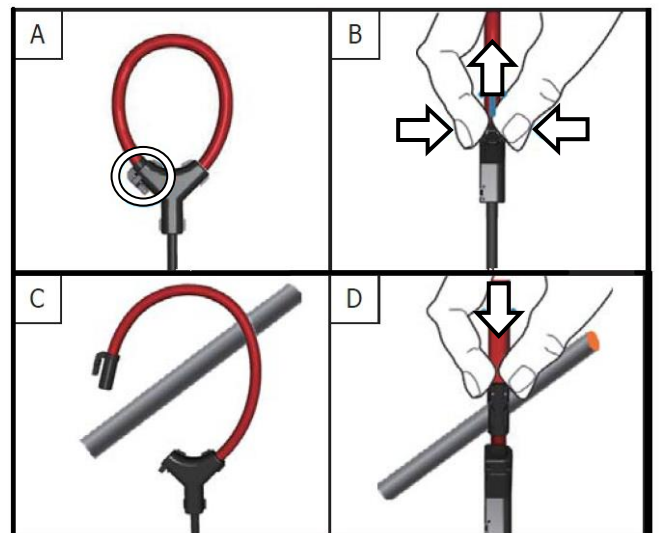
- A. Please confirm the CT and Rogowski Coil (RCT) are locked into the module, and “Ext\_Bus” is connected an extension module by audio line. (If there is no extension module, the “Ext\_Bus” don’t be connected.)
- B. Adjusting DIP switch and set the parameter of communication, and switch “PWR” to OFF. And then switch “PWR” to ON after press “Wake” and “Boot” buttons for 5 seconds.
- C. When power on, if “STA” will light on for 1 second and off, this mean boot complete. If “STA” do not be lighted, please press “Boot” for 1~3 seconds, and confirm “STA” will light on for 1 second and off. Finally, press “Wake” once, confirm “STA” blink once to complete the boot.
- D. Connect the CT to the cable to be measured. The buckle has no directionality, but after the buckle, you must confirm that the opening is completely closed.

Before the CT be buckled

After the CT be buckled



Confirm the opening is completely closed

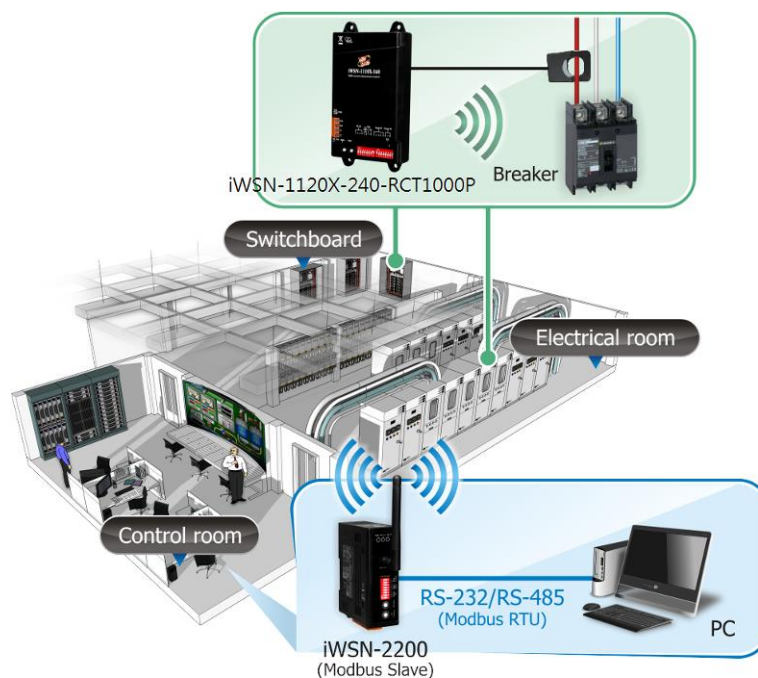


## Note :

1. if you need to remove the terminal lines, always detach the CT before removing the CT terminal lines. Otherwise the CT may develop open-circuit secondary voltages which may be hazardous to personnel or damaging to the CT or equipment connected in the secondary circuit.
2. The external CT's are fragile, please handle with care.
3. The current input of the iWSN-1120X series only supports the factory-attached CT.
4. To install CT's correctly, please ensure the CT lines sequences is right before clip the CT's onto the power cable of the monitoring equipment.
5. Please select the appropriate size CT for different size monitoring equipment cables: power line diameter  $< \Phi 24$  using 200A CT,  $\Phi 36$  using 400A CT.
6. The maximum current value cannot exceed the CT rating.

## 6 Application example

The module will measure the current data and transmit automatically to iWSN-2200 by wireless. The user can use computer to read the data in iWSN-2200 by Modbus RTU protocol.





## **Warning**

ICP DAS assumes no liability for any damage resulting from the use of this product. ICP DAS reserves the right to change this manual at any time without notice. The information furnished by ICP DAS is believed to be accurate and reliable. However, no responsibility is assumed by ICP DAS for its use, not for any infringements of patents or other rights of third parties resulting from its use.

## **Limitation of Warranty**

This warranty does not apply to defects resulting from unauthorized modification, misuse, or use for reason other than electrical power monitoring. The supplied meter is not a user-serviceable product.

## **Product Warranty & Customer Support**

ICP DAS warrants all products free from defects in material and workmanship for a period of one year from the date of shipping. During the warranty period, we will, at our position, either repair or replace any product that proves to be defective. To report any defect, please contact us. Please have the model, serial number and a detailed problem description available when you call. If the problem concerns a particular reading, please have all meter readings available. When returning any merchandise to ICP DAS, a return SN. Is required.