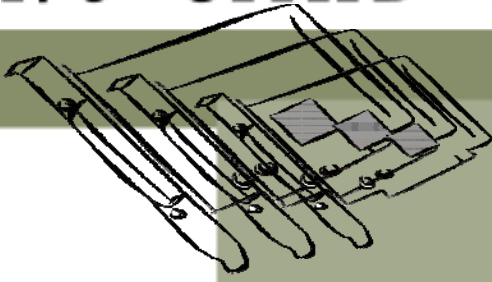


I/O CARD QUICK START GUIDE



for PISO-P8R8U Series

English/ Nov. 2011/ Version 1.0

1

What's in the shipping package?

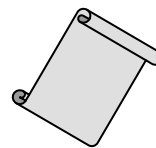
- One PISO-P8R8U/P8SSR8UAC/P8SSR8UDC series card
- One software utility PCI CD (V5.2 or later)
- One Quick Start Guide (This document)
- One CA-4002 D-Sub connector



**PISO-P8R8U
PISO-P8SSR8UAC
PISO-P8SSR8UDC
Series Card**



Software Utility CD



Quick Start Guide



CA-4002

2

Installing Windows Driver

Follow these steps:

1. Setup the Windows driver. The driver is located at:

- The UniDAQ driver supports 32-bit/64-bit Windows 2K/XP/2003/Vista/2008/7; it is recommended to install this driver for new user:

CD:\NAPDOS\PCI\UniDAQ\DLL\Driver\
<http://ftp.icpdas.com/pub/cd/iocard/pci/napdos/pci/unidaq/dll/driver/>



This example uses this driver

- The PISO-DIO driver supports Windows 98/NT/2K and 32-bit XP/2003/Vista/7. Recommended to install this driver for have been used PISO-DIO series boards of regular user, please refer to:

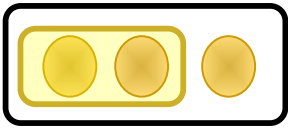
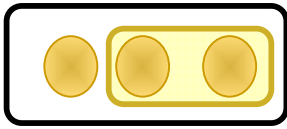

CD:\NAPDOS\PCI\PISO-DIO>manual\QuickStart\PSIO-P8R8_QuickStart_Eng.pdf
http://ftp.icpdas.com/pub/cd/iocard/pci/napdos/pci/piso-dio/manual/quickstart/piso-p8r8_quickstart_eng.pdf

2. Click the “Next>” button to start the installation.
3. Click the “Next>” button to install the driver into the default folder.
4. Click the “Install” button to continue the installation.
5. Select “NO, I will restart my computer later” and then click the “Finish” button.

3

Jumper Setting

Please make sure JP1 ~JP8 jumper is kept in default setting before self-test.

| Jumper | Channel | Without filter for DC signal | With filter for AC signal (or for DC signal) |
|------------------------------|-----------|--|--|
| JP1 | DIA0-DIB0 |  <p>1 2 3 Default Setting</p> |  <p>1 2 3</p> |
| JP2 | DIA1-DIB1 | | |
| JP3 | DIA2-DIB2 | | |
| JP4 | DIA3-DIB3 | | |
| JP5 | DIA4-DIB4 | | |
| JP6 | DIA5-DIB5 | | |
| JP7 | DIA6-DIB6 | | |
| JP8 | DIA7-DIB7 | | |
| This example uses the filter | |  | |

4

Installing Hardware on PC

Follow these steps:

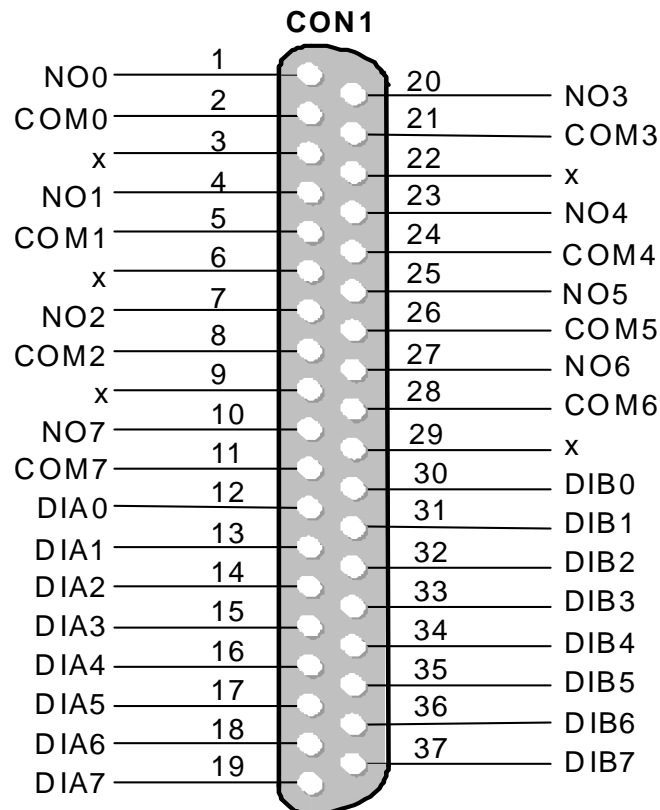
1. Shut down and power off your computer.
2. Remove the cover from the computer.
3. Select an unused PCI slot.
4. Carefully insert your I/O card into the PCI slot.
5. Replace the PC cover.
6. Power on the computer.

After powering-on the computer, please finish the Plug&Play steps according to the prompted messages.

5

Pin Assignments

CON1 Connector (Female DB37)



6 Self Test

1. Prepare for device:

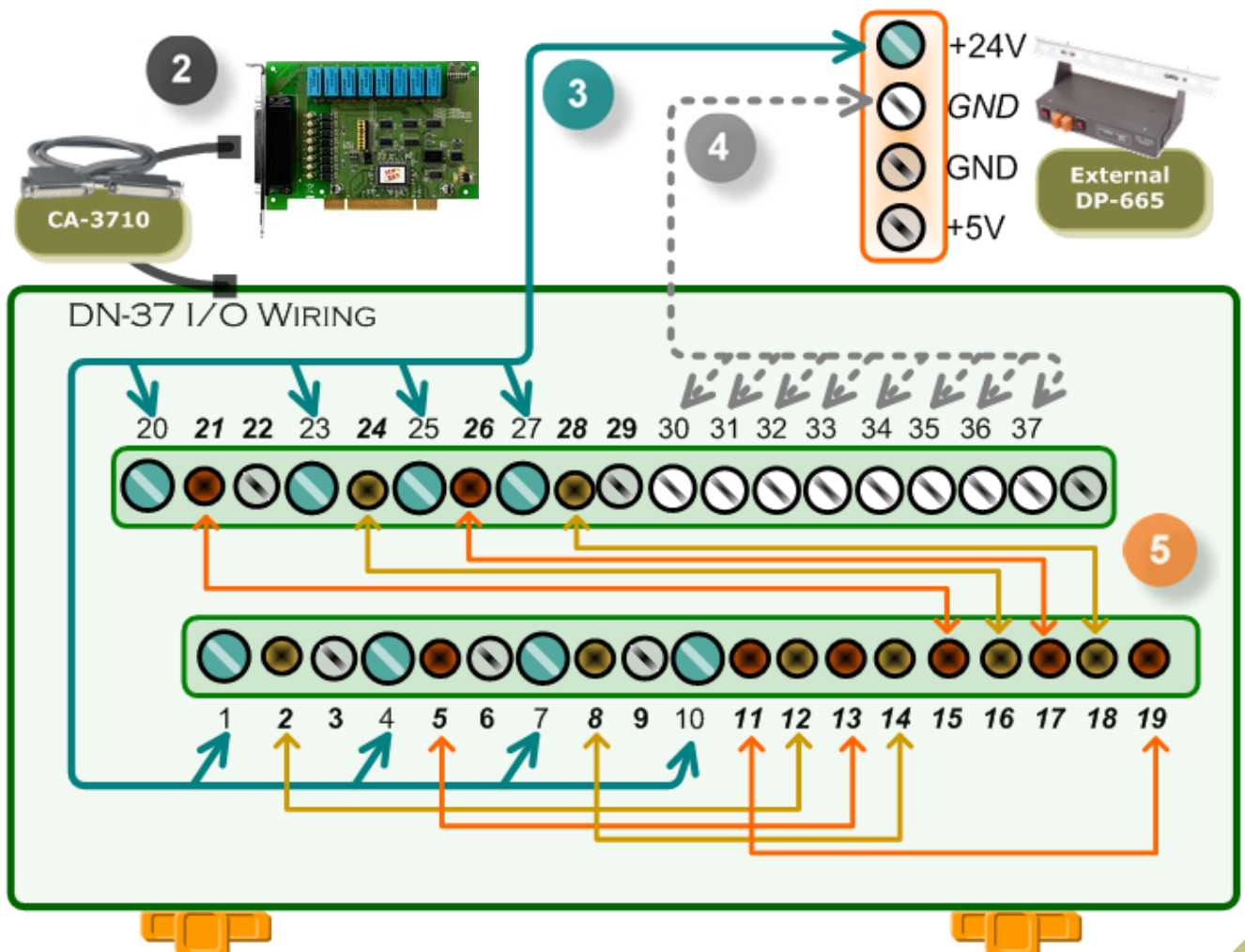
- DN-37 (optional) wiring terminal board.
- Exterior power supply device. For example: DP-665(optional)

2. Use the DN-37 to connect the board CON1.

3. External Power +24V connect to NO0 (Pin 1)
.... External Power +24V connect to NO7 (Pin 10)

4. External Power GND connect to DIB0 (Pin 30)
.... External Power GND connect to DIB0 (Pin 37)

5. COM0 (Pin 2) connect to DIA0 (Pin 12)
.... COM7 (Pin11) connect to DIA7 (Pin 19)



**6. Execute the Digital IO sample program.
The sample program is contained in:**

CD:\NAPDOS\PCI\UniDAQ\DLL\Demo\
<http://ftp.icpdas.com/pub/cd/iocard/pci/napdos/pci/unidaq/dll/demo/>

7. The following sample program is written in Delphi4.

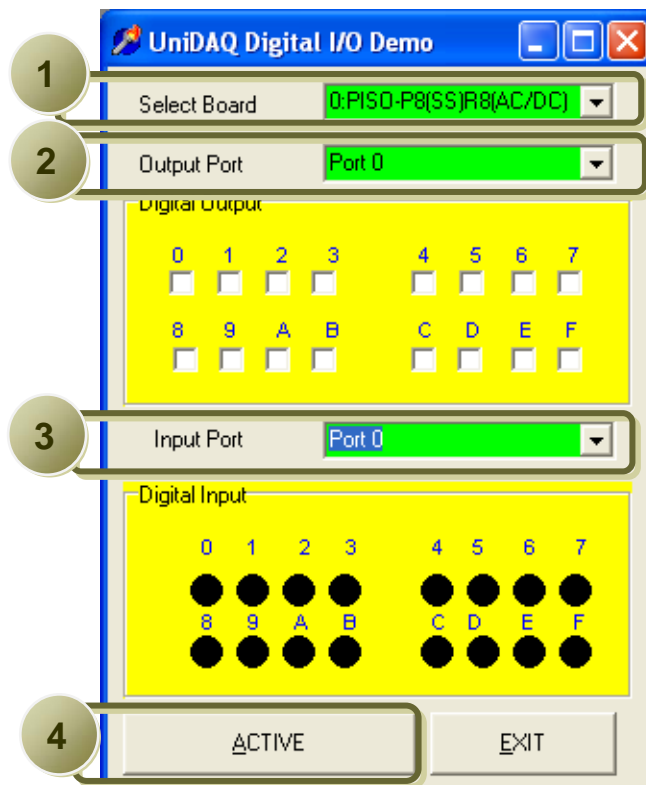
File: DLL_delphi4_XXXXXX.exe
 Path: ... \ DLL_Delphi4\Digital_IO\
 Double click the "Digital_IO.exe"



Digital_IO.exe

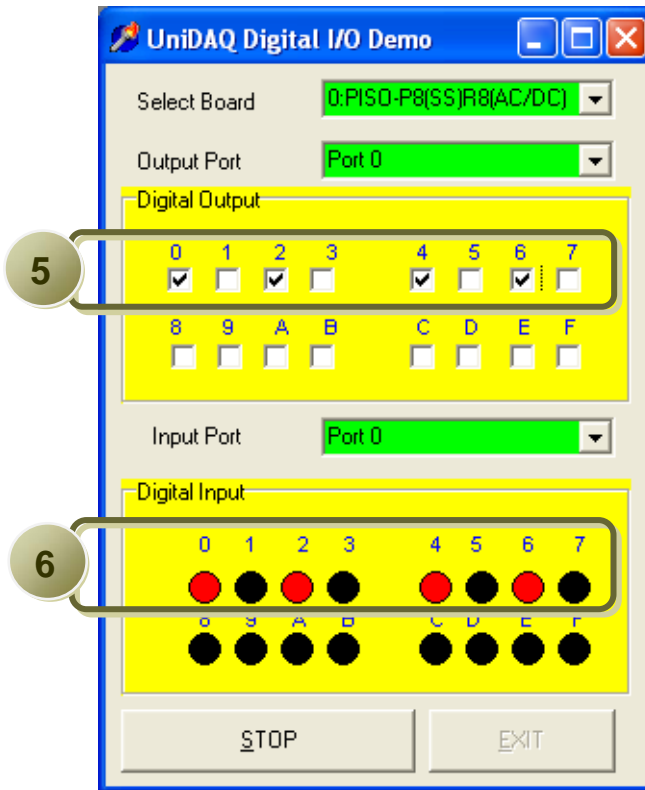
8. Set the test program.

- 1 Select the board number for the PCI-P8R8 series to activate.
(It ranges form 0 to total board number subtracting one)
- 2 Select the Port 0 in the Output port drop down list.
- 3 Select the Port 0 in the Input port drop down list.
- 4 Click this button to start test.



9. Get DIO function test result.

- 5 Check channel 0、2、4、6 in Digital Output field.
- 6 The corresponding DI becomes black for channel 0、2、4、6 of DO is ON.



Related Information

- ❏ **PISO-P8R8U Series Card product page:**
http://www.icpdas.com.tw/product/solutions/pc_based_io_board/pci/piso-p8r8.html
- ❏ **DP-665, CA-3710 and DN-37 page (optional):**
http://www.icpdas.com/products/Accessories/power_supply/dp-665.htm
http://www.icpdas.com/products/Accessories/cable/cable_selection.htm
http://www.icpdas.com/products/DAQ/screw_terminal/dn_37.htm
- ❏ **Documentation:**
 CD:\NAPDOS\PCI\PISO-DIO\Manual
<http://ftp.icpdas.com/pub/cd/iocard/pci/napdos/pci/piso-dio/manual/>
 CD:\NAPDOS\PCI\UniDAQ\Manual
<http://ftp.icpdas.com/pub/cd/iocard/pci/napdos/pci/unidac/maunal/>
- ❏ **Software:**
 CD:\NAPDOS\PCI\UniDAQ\DLL
<http://www.icpdas.com/download/pci/piso-dio.htm>

