



PISO-725U Quick Start

v1.0, Dec. 2018

What's in the box?

The package includes the following items:



PISO-725U x 1



Quick Start x 1
(This Document)

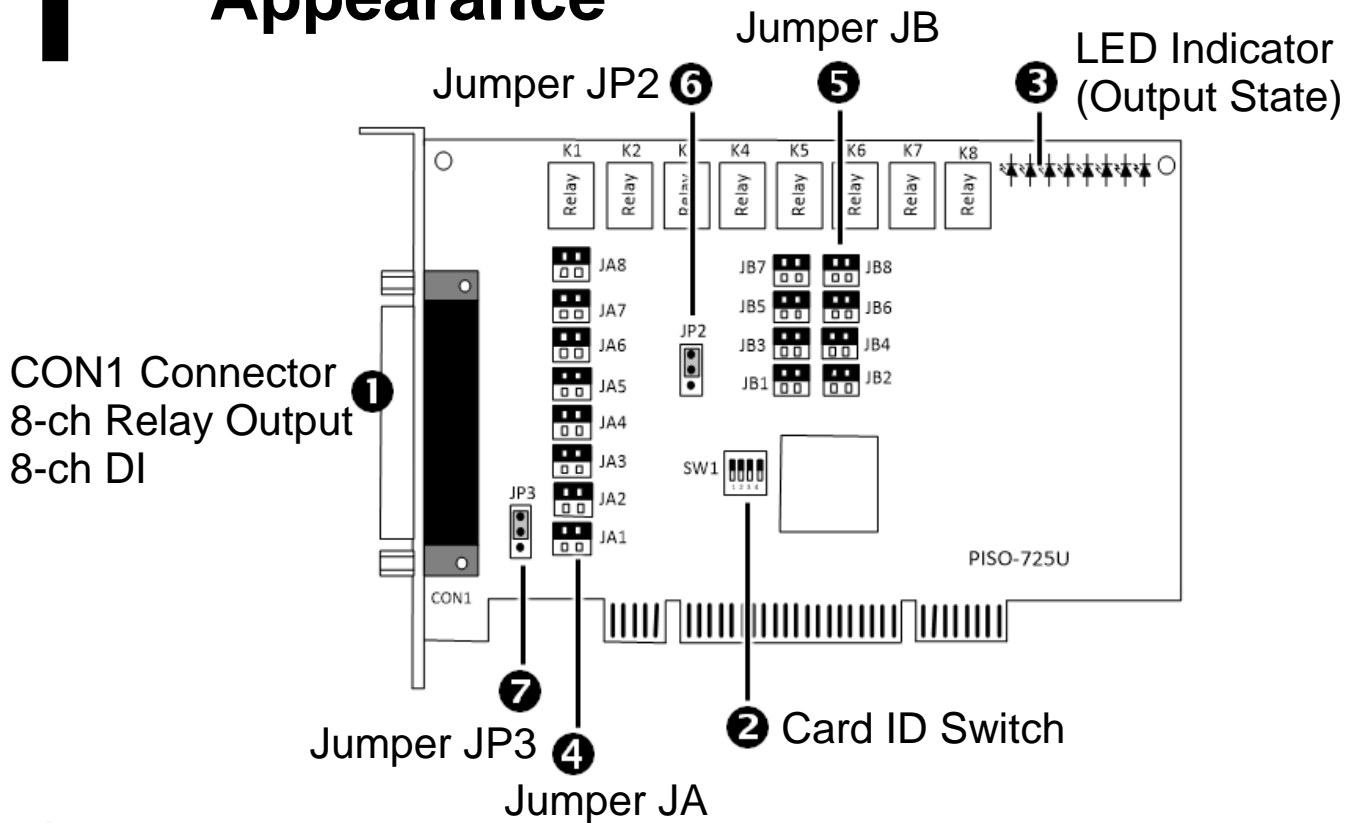


CA-4002 D-Sub
Connector x 1

Related Information

- For more detailed information related to the user manual and software for UniDAQ Driver & SDK:
<http://ftp.icpdas.com/pub/cd/iocard/pci/napdos/pci/unidaq/>
- For more detailed information related to the hardware settings for PISO-725U Card:
<http://ftp.icpdas.com/pub/cd/iocard/pci/napdos/pci/piso-725/manual/>
- DN-37 and CA-3710 Cable Page (optional):
http://www.icpdas.com/products/DAQ/screw_terminal/dn_37.htm
http://www.icpdas.com/root/product/solutions/accessories/cable/cable_selection.html

1 Appearance



2 Jumper Settings

- **Jumpers JA and JB**

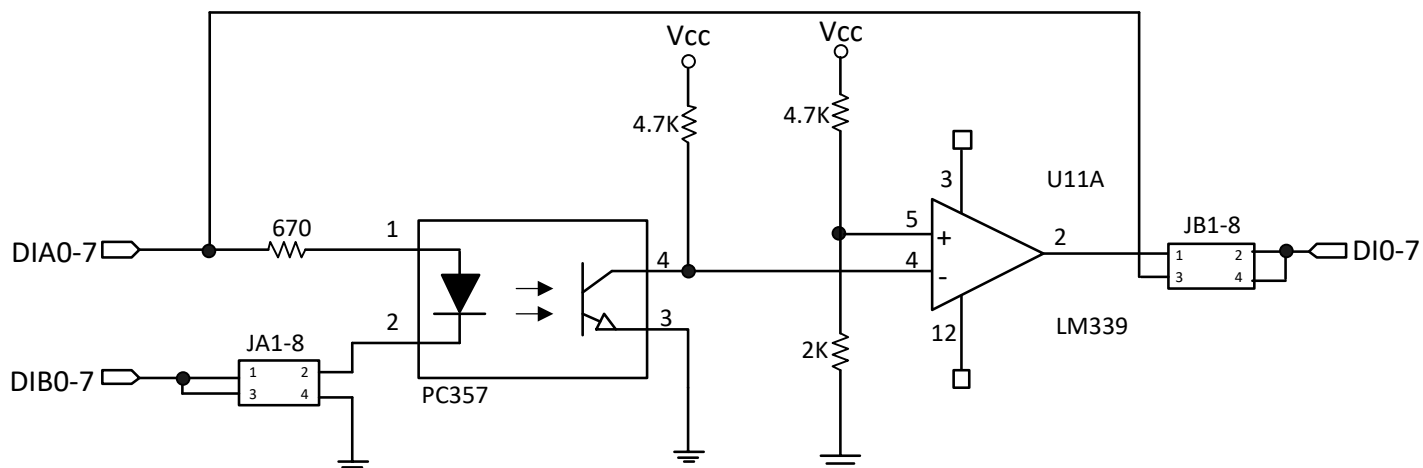
Jumpers JA and JB are used to specify whether the Digital Input type is either isolated or non-isolated. **NOTE: Ensure that Jumpers JA and JB are in the default positions before performing a self-test.**

<input checked="" type="checkbox"/> Isolated Digital Input	Non-isolated Digital Input
<p>JA JB</p> <p>(Default)</p>	<p>JA JB</p>
The isolated input voltage range is from +9 V to +24 V	The non-isolated input voltage range is +5V/TTL compatible

The jumper positions used to configure isolated input are as follows:



Channel	Jumper	Channel	Jumper
DIA0, DIB0 (0+, 0-)	JA1 & JB1	DIA4, DIB4 (4+, 4-)	JA5 & JB5
DIA1, DIB1 (1+, 1-)	JA2 & JB2	DIA5, DIB5 (5+, 5-)	JA6 & JB6
DIA2, DIB2 (2+, 2-)	JA3 & JB3	DIA6, DIB6 (6+, 6-)	JA7 & JB7
DIA3, DIB3 (3+, 3-)	JA4 & JB4	DIA7, DIB7 (7+, 7-)	JA8 & JB8

The figure below is the block diagram for jumpers **JA**, **JB** and digital input circuit:





● **Jumper JP2**

Jumper JP2 is used to specify whether the DO state is retained or cleared when system performs a soft-reboot. **NOTE:** Ensure that **Jumper JP2** is in the default position before performing a self-test.

<input checked="" type="checkbox"/> Keep the DO state when soft-reboot	Clear the DO state when soft-reboot
 (Default)	

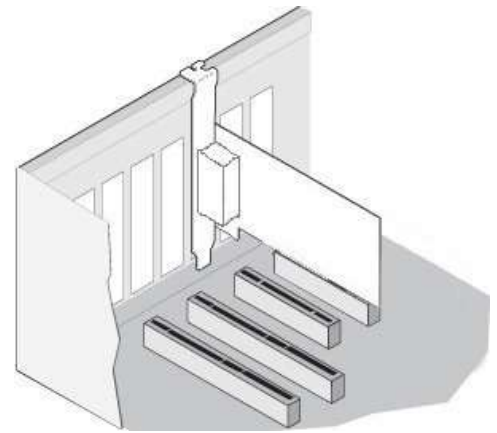
● **Jumper JP3**

Jumper JP3 is used to specify whether the ground (GND) type is configured as either isolated or non-isolated. **NOTE:** Ensure that **Jumper JP3** is in the default position before performing a self-test.

<input checked="" type="checkbox"/> Isolated GND protects host computer from damaging voltages	Non-isolated GND
 (Default)	

3 Installing a PISO-725U Card

- 1) Power off the PC.
- 2) Remove all covers from the Computer.
- 3) Carefully insert the PISO-725U into PCI slot.
- 4) Replace the PC Covers.
- 5) Power on the PC.
- 6) Download or locate the Windows driver.



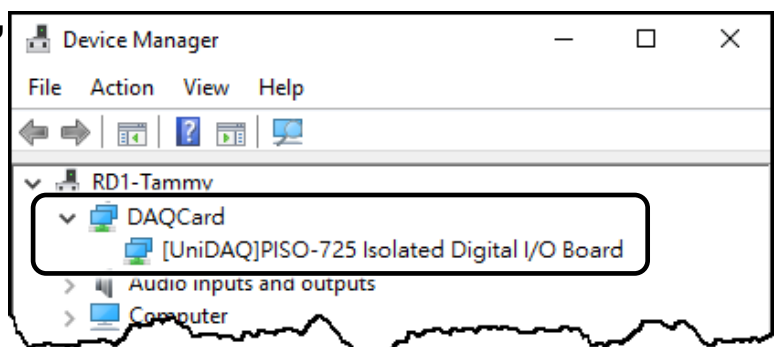
The **UniDAQ driver** supports 32-/64-bit Windows XP/2003/2008/7/8/10. It is recommended that new users install this driver, which can be found in the <http://ftp.icpdas.com/pub/cd/iocard/pci/napdos/pci/unidaq/dll/driver/>

PISO-725 Series Classic Driver supports Windows 98/NT/2K and 32-bit Windows XP/2003/2008/7/8/10. it is recommended this driver is installed by customers who have previously installed a PISO-725 series card and are regular users. For more details, refer to: <http://ftp.icpdas.com/pub/cd/iocard/pci/napdos/pci/piso-725/manual/quickstart/classic/>

7) Setup the UniDAQ Driver DLL, click the “**Next>**” button for all dialogs. **NOTE: For more detailed information related to driver installation, refer to Chapter 2 “Starting” in the UniDAQ SDK user manual.**


8) The operating system will automatically detect the new hardware and install the necessary drivers after reboot the PC.

9) Open the “**Device Manager**” to verify that the PISO-725 Series card has been correctly installed and is in the Device Manager, as illustrated on right.



4 Pin Assignments

Pin Assignment	Terminal No.	Pin Assignment
NO_0	01	20 NO_3
COM_0	02	21 COM_3
NC_0	03	22 NC_3
NO_1	04	23 NO_4
COM_1	05	24 COM_4
NC_1	06	25 NO_5
NO_2	07	26 COM_5
COM_2	08	27 NO_6
NC_2	09	28 COM_6
NO_7	10	29 GND
COM_7	11	30 DIB_0
DIA_0	12	31 DIB_1
DIA_1	13	32 DIB_2
DIA_2	14	33 DIB_3
DIA_3	15	34 DIB_4
DIA_4	16	35 DIB_5
DIA_5	17	36 DIB_6
DIA_6	18	37 DIB_7
DIA_7	19	



CON1

NOTES:

NO Normally Open

NC Normally Closed

COM Common

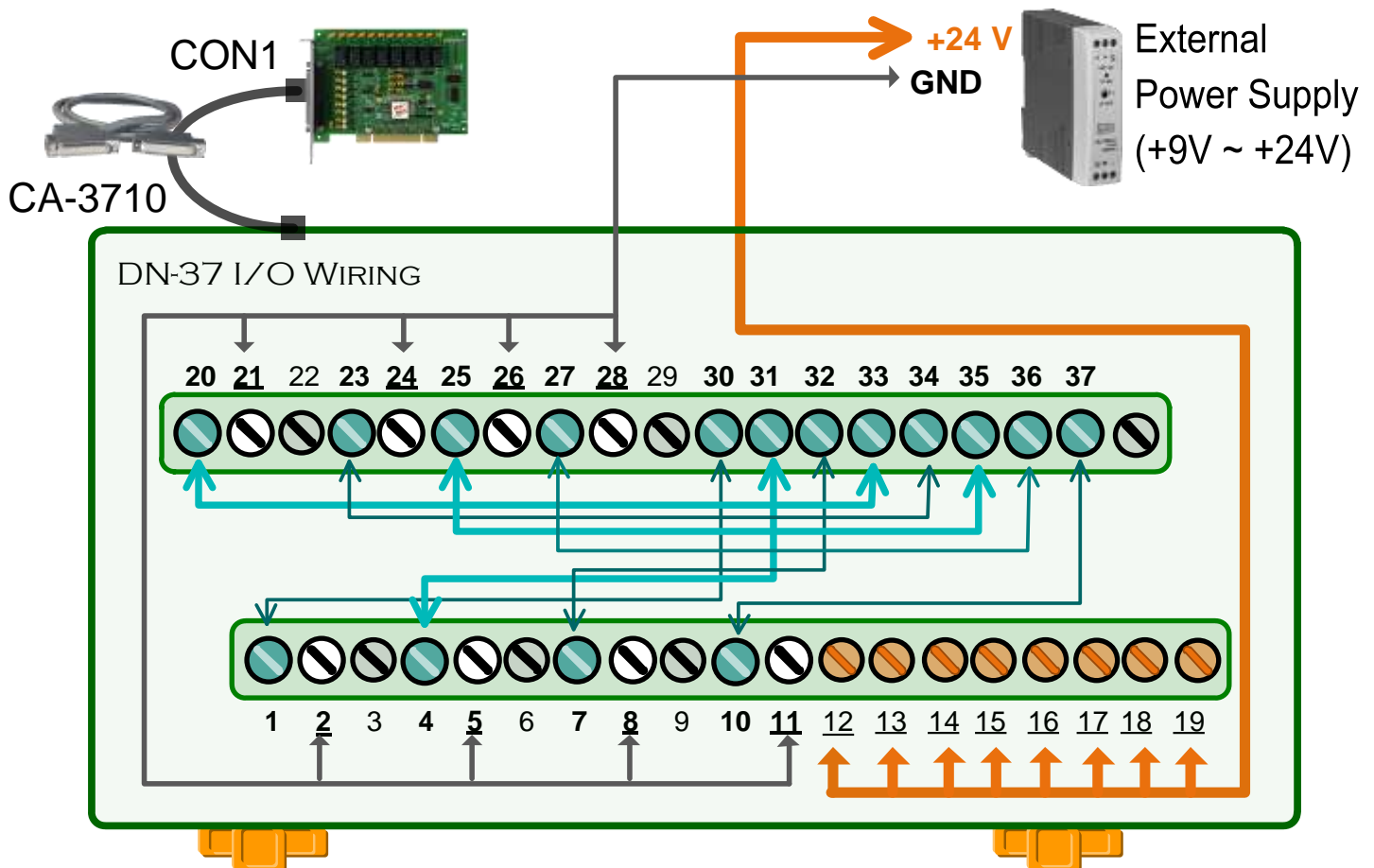
DIA Digital Input (Port A)

DIB Digital Input (Port B)

5

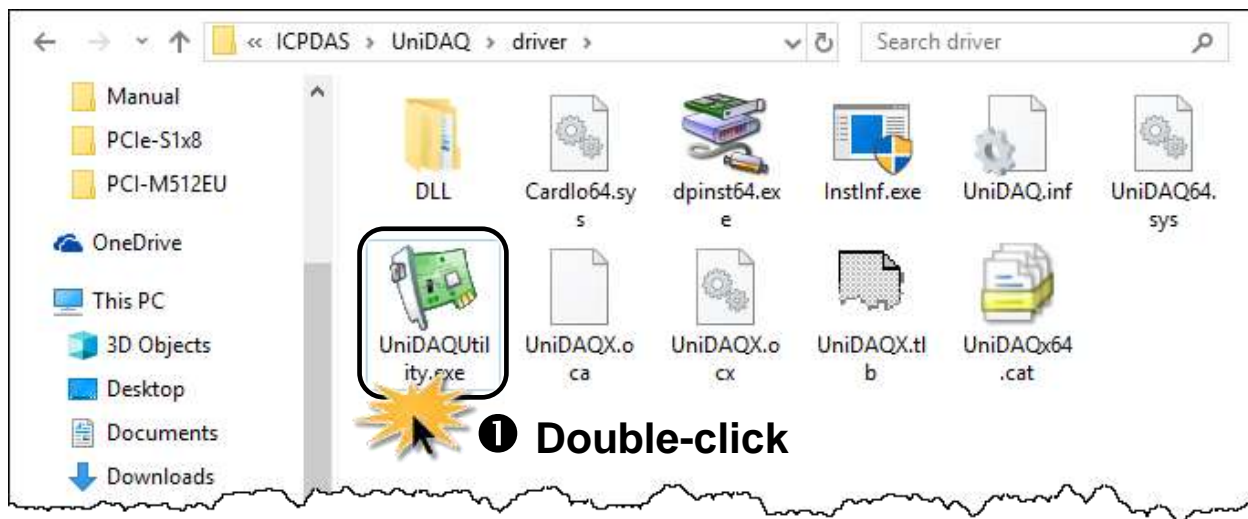
Testing your PISO-725U

- 1) Verify that Jumpers **JA** and **JB** on the PISO-725U are set to the “isolated (default)” position. **NOTE:** The valid DC power input depends on the isolated/non-isolated jumper settings. Refer to Chapter 2 “Jumper Settings” above (P2).
- 2) Connect the DN-37 to CON1 on the PISO-725U using the CA-3710 cable.
- 3) Connect the **NO (0-7)** pin to the **DIB (0-7)** pin.
(Pin1/4/7/20/23/25/27/10 connects to Pin30/31/32/33/34/35/36/37).
- 4) Connect the **Power Supply (+9V ~ +24V)** to the **DIA(0-7)** pin
(Pin12/13/14/15/16/17/18/19).
- 5) Connect the **Power Supply GND** to the **COM(0-7)** pin
(Pin2/5/8/21/24/26/28/11).



6) Launch the **UniDAQ Utility** software.

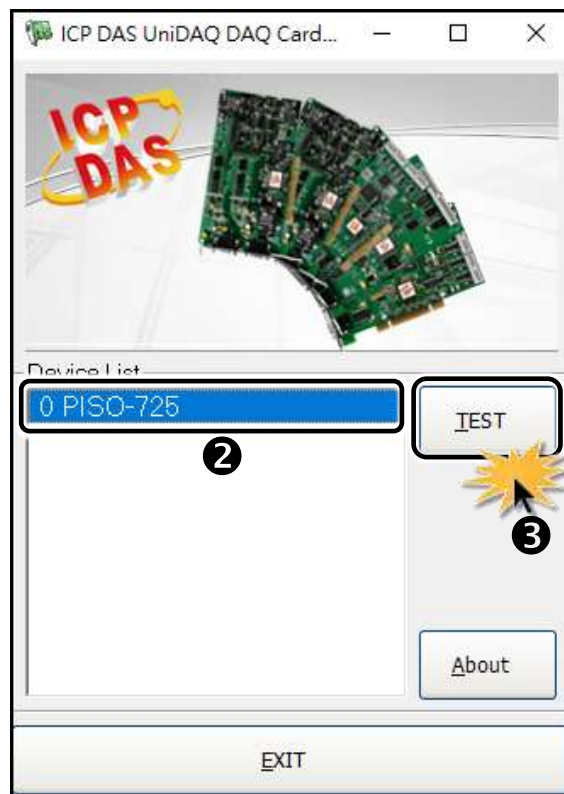
If the UniDAQ Utility was installed in the default folder, it will be located at “**C:\ICPDAS\UniDAQ\Driver**”.



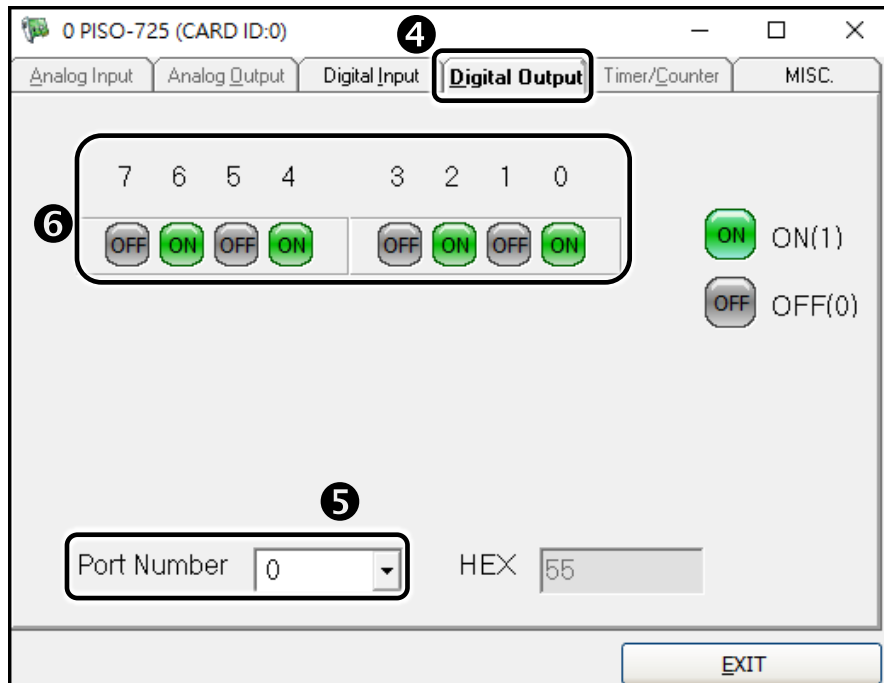
7) Confirm that the PISO-725 Series Card has been successfully installed in the Host system.

NOTE: The device numbers start from 0.

8) Click the “**TEST**” button to start the test.



- 9) Click the **“Digital Output”** tab.
- 10) Select **“Port0”** from the **“Port Number”** drop-down options.
- 11) Click the **DO channels 0, 2, 4 and 6 buttons**.



- 12) Click the **“Digital Input”** tab.
- 13) Select **“Port0”** from the **“Port Number”** drop-down options.
- 14) The DI indicators will turn **red** when the corresponding **DO channels 0, 2, 4 and 6** are ON.

