



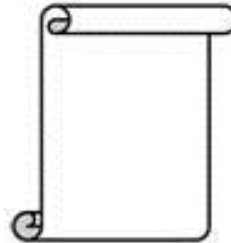
DL-300-WF-IP65 Series Quick Start

v1.00, Feb 2019

What's in the shipping box?



DL-30x-WF-IP65



Quick Start



IP67 Power Plug x2



IP67 RJ45 Plug

Technical Support:

- **DL-300-WF-IP65 Series User Manual**

http://ftp.icpdas.com/pub/cd/IIoT/DL-300-IP65/user_manual/

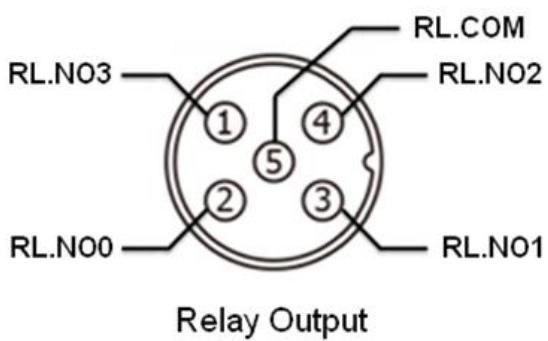
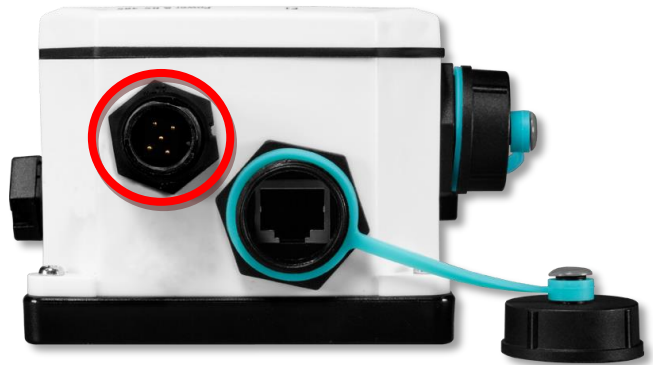
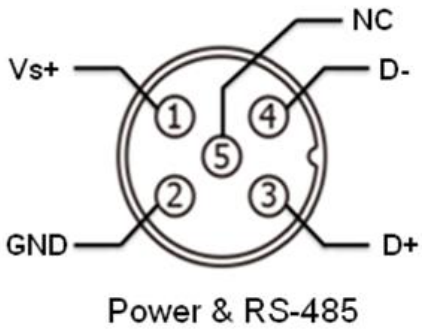
- **For DL-300-WF-IP65 Utility**

<http://ftp.icpdas.com/pub/cd/IIoT/utility/>

- **DL-300-WF-IP65 Website**

http://www.icpdas.com/root/product/solutions/remote_io/rs-485/dl_series/dl_selection.html

1 Connector for Power/ RS-485/ Alarm Relay Output



2 Powering-on the DL-300-WF-IP65 logger

The factory default settings for Wi-Fi communication of the DL-300-WF-IP65 are as follows.

- Mode: AP
- Wireless Security: WPA/WPA2, "00000000"
- DHCP Server (AP Mode): DHCP Server on, start IP: 192.168.255.2
- Wi-Fi Channel (AP Mode): 11
- IP Address: 192.168.255.1
- Gateway Address: 192.168.255.254
- Subnet Mask: 255.255.0.0
- SSID: DL-30x-WF-IP65
- Modbus TCP Port: 502

The Wi-Fi IIOT Utility is provided to configure and test the DL-300-WF-IP65 module through the Wi-Fi interface. Please refer to chapter 6 of the user manual for details.

You can also use a browser to configure and test the DL-300-WF-IP65 module through the Ethernet interface. Please refer to chapter 4 of the user manual for details.



If there is any other question, please feel free to contact us.

Email: service@icpdas.com