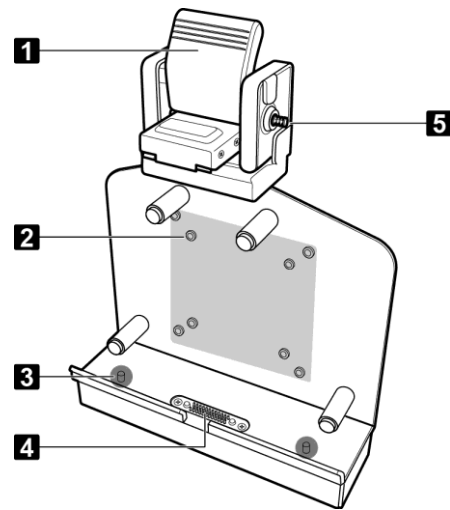


R11L Vehicle Dock

Product Overview

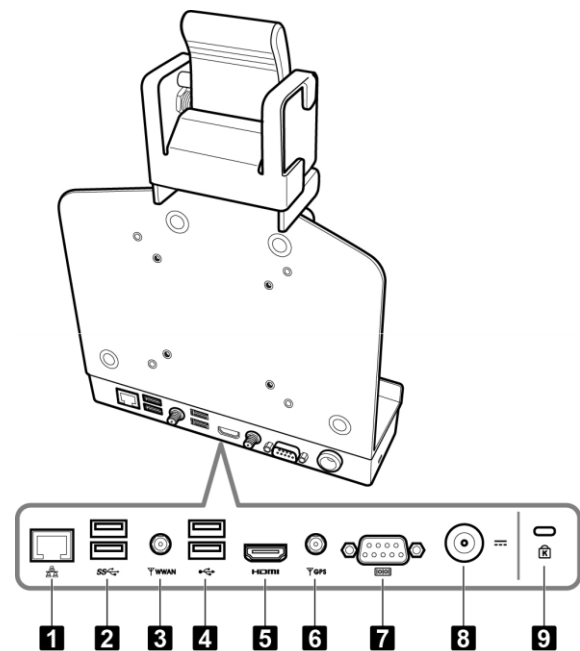
No.	Item
1	Latch
2	Mounting holes for VESA mount
3	Alignment port (x2)
4	Docking connector
5	Latch bar (with key slot)

Front



No.	Item
1	LAN (RJ-45) port
2	USB3.0 port (x2)
3	WWAN antenna port
4	USB2.0 port (x2)
5	HDMI port
6	GPS antenna port
7	Serial port (RS-232)
8	DC-in jack *
9	Kensington lock slot

Rear

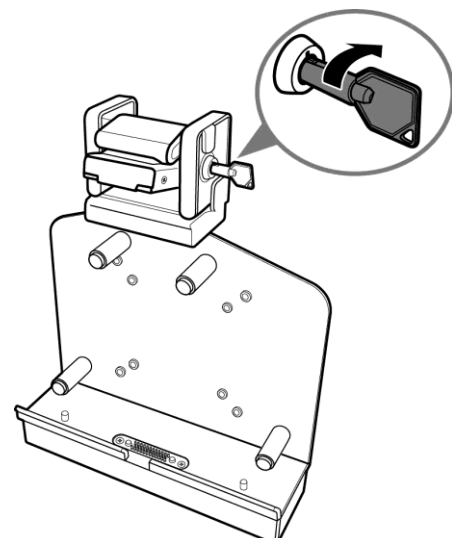


*Please contact dealer for appropriate adapter.

Unlock the Latch

The latch on the docking cradle is locked during packaging. To unlock the latch, do the following:

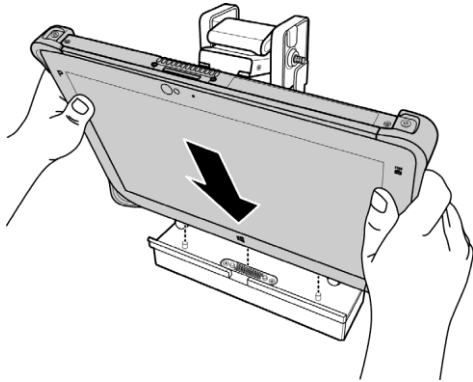
1. Insert the latch bar key.
2. Turn it clockwise until a "click" is heard, indicating the latch bar is released.
3. Remove the key from the key slot.



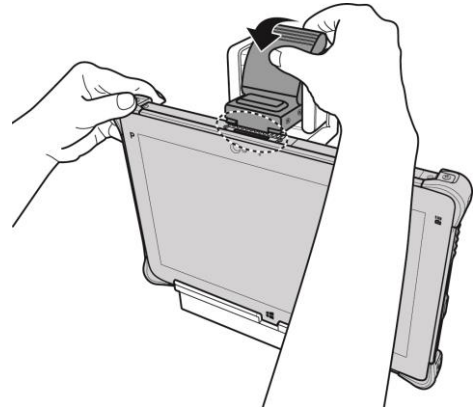
R11L Vehicle Dock

Docking the R11L Tablet PC

1. With screen side facing out and docking connector down, insert the R11L tablet PC into the alignment ports on docking cradle.

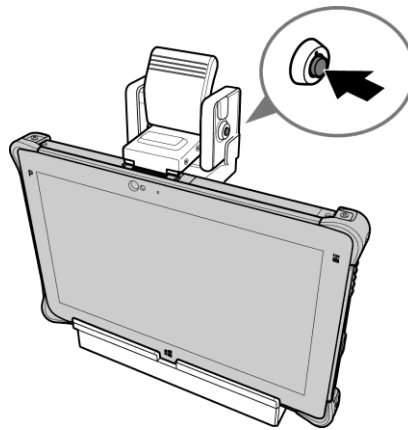


2. Secure the R11L tablet PC by pulling the latch forward until a "click" is heard and the latch is fully engaged.



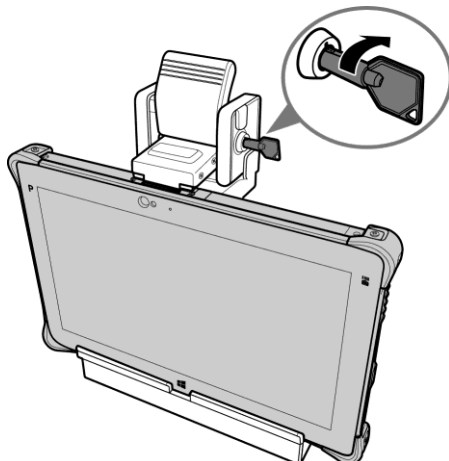
3. Fully push the latch bar into position to ensure the latch is tightly secured.

NOTE: If the latch bar cannot be pushed, adjust the latch position and repeat step 3.

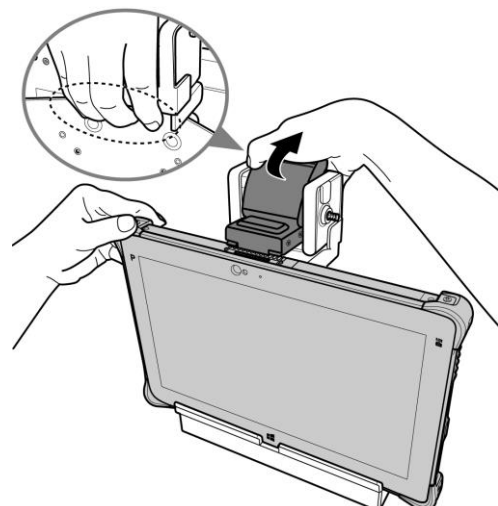


Undocking the R11L Tablet PC

1. Insert the latch bar key into the latch bar and turn clockwise until a "click" is heard. Refer to the "**Unlock the Latch**" section.

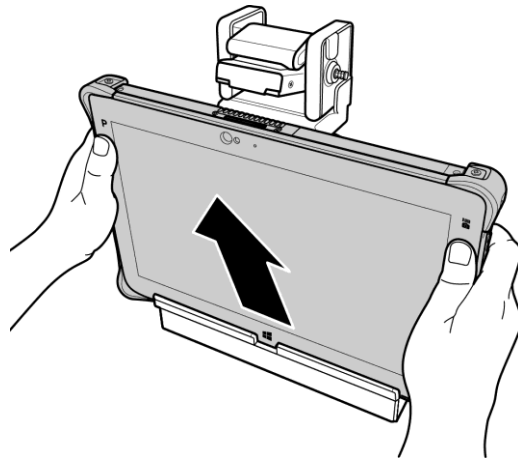


2. While supporting the R11L tablet PC with one hand, push the latch backward until it fully disengages.



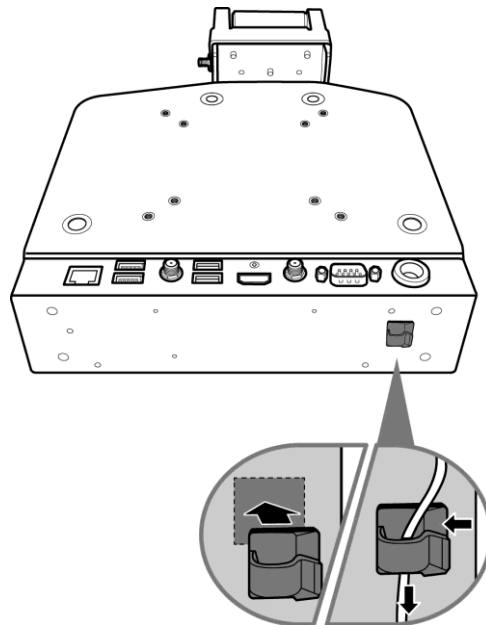
R11L Vehicle Dock

3. Remove the R11L tablet PC from the docking cradle.



Using the Cable Clamp

1. Attach the cable clamp on the bottom of the cradle.
2. Route the cable(s) through the cable clamp as illustrated.



FCC Regulations

This device complies with Part 15B Class B of the FCC Rules. Operation is subject to the following two conditions: (1) this device may not cause harmful interface, and (2) this device must accept any interface received, including interface that may cause undesired operation.

This Class B digital apparatus complies with Canadian ICES-003.
Cet appareil numérique de la classe B est conforme à la norme NMB-003 du Canada.