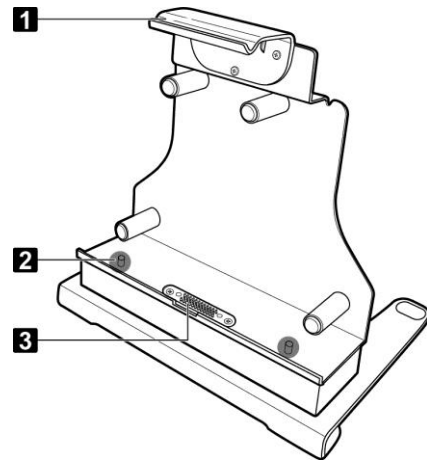


R11L Office Dock

Product Overview

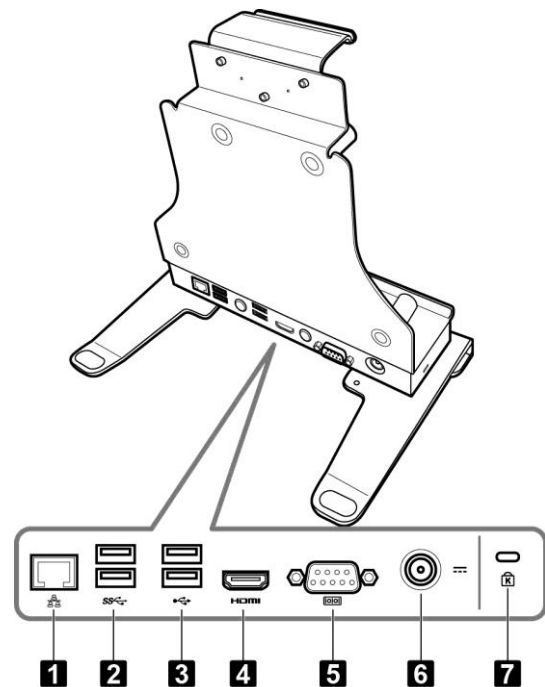
No.	Item
1	Latch
2	Alignment port (x2)
3	Docking connector

Front



No.	Item
1	LAN (RJ-45) port
2	USB3.0 port (x2)
3	USB2.0 port (x2)
4	HDMI port
5	Serial port (RS-232)
6	DC-in jack *
7	Kensington lock slot

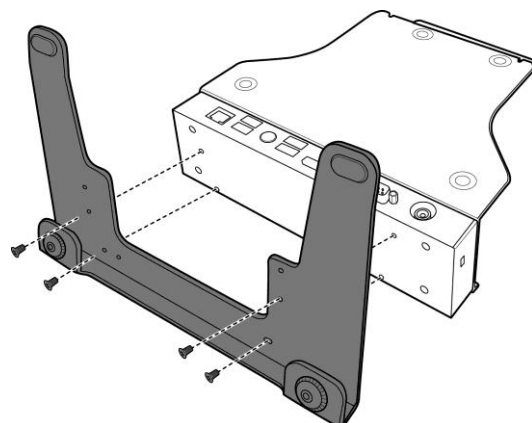
Rear



*Please contact dealer for appropriate adapter.

Installing the Stand

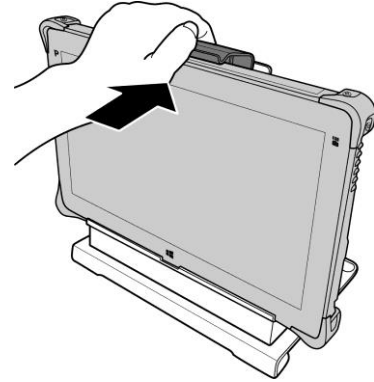
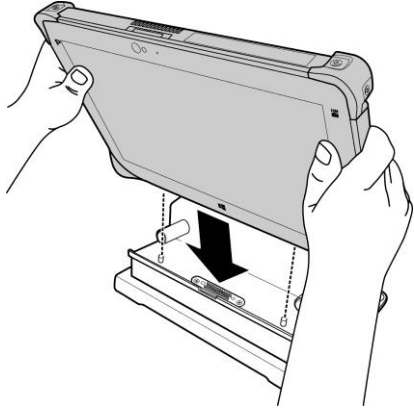
Align the stand holes with the holes at the bottom of the docking cradle as shown in the illustration. Then secure it with the four supplied screws.



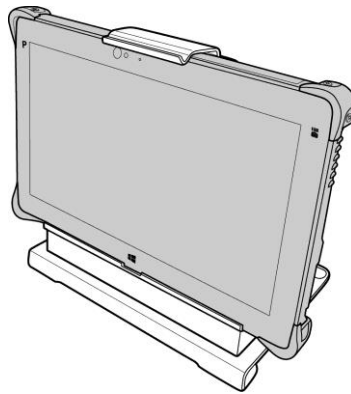
R11L Office Dock

Docking the R11L Tablet PC

1. With screen side facing out and docking connector down, install the R11L tablet PC into the alignment ports on docking cradle.
2. Using one hand, carefully push the top of the R11L tablet PC backward until the latch is fully engaged.



3. Ensure the R11L tablet PC is tightly secured to the docking cradle.



Undocking the R11L Tablet PC

1. While pushing the latch upward, pull the R11L tablet PC forward until the latch is fully disengaged.
2. Remove the R11L tablet PC from the docking cradle.

